



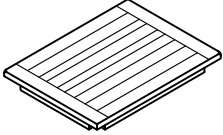
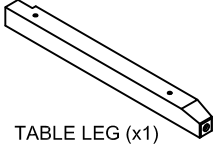
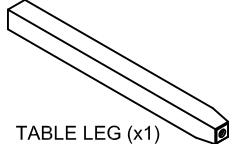
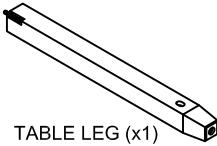
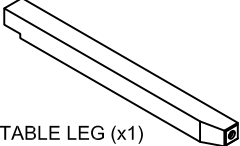
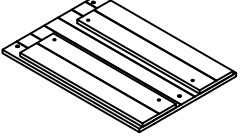
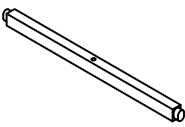
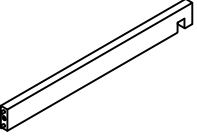
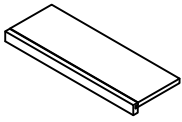
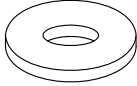
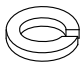
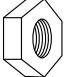


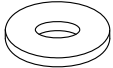

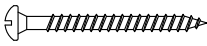

INTERCON
FURNITURE FOR LIFE

ASSEMBLY INSTRUCTIONS

DESCRIP: TABLE, 30"x 40" MULTI USE

ITEM: HI-TA-3040G-SWH-C

Thank you for purchasing this quality product. Be sure to check all packing material carefully for small parts which may have come loose inside the carton during shipment. Identify and count all parts and compare with the parts list below. Please keep all hardware out of reach of small children.

<p>1</p>  <p>TABLE TOP (x1)</p>	<p>2</p>  <p>TABLE LEG (x1) RIGHT</p>	<p>3</p>  <p>TABLE LEG (x1) LEFT</p>
<p>4</p>  <p>TABLE LEG (x1) LEFT</p>	<p>5</p>  <p>TABLE LEG (x1) RIGHT</p>	<p>6</p>  <p>STORAGE PANEL (x1)</p>
<p>7</p>  <p>SIDE STRETCHER (x1)</p>	<p>8</p>  <p>CENTER STRETCHER (x1)</p>	<p>9</p>  <p>ADJUSTABLE SHELF (x3)</p>
<p>A</p>  <p>FLAT WASHER Ø5/16"x Ø19mm (x10)</p>	<p>B</p>  <p>SPRING WASHER Ø5/16"x Ø12mm (x16)</p>	<p>C</p>  <p>HEX- NUT Ø5/16"x Ø12mm (x8)</p>
<p>D</p>  <p>WRENCH 12x 75mm (x1)</p>	<p>E</p>  <p>BOLT Ø1/4"x 38mm (x8)</p>	<p>F</p>  <p>SMALL FLAT WASHER Ø1/4"x Ø12mm (x6)</p>
<p>G</p>  <p>ALLEN KEY 58x 23mm (x1)</p>	<p>H</p>  <p>SCREW Ø8x Ø4x 50mm (x2)</p>	<p>I</p>  <p>SHELF SUPPORTER (x12)</p>

ASSEMBLY TIPS:

- 1.Remove hardware from box and sort by size.
- 2.Please check to see that all hardware and parts are present prior start of assembly.
- 3.Please follow attached instructions in the same sequence as numbered to assure fast and easy assembly.

WARNING

- 1.Don't attempt to repair or modify parts that are broken or defective. Please contact the store immediately.
- 2.This product is for home use only and not intended for commercial establishments.



INTERCON
FURNITURE FOR LIFE

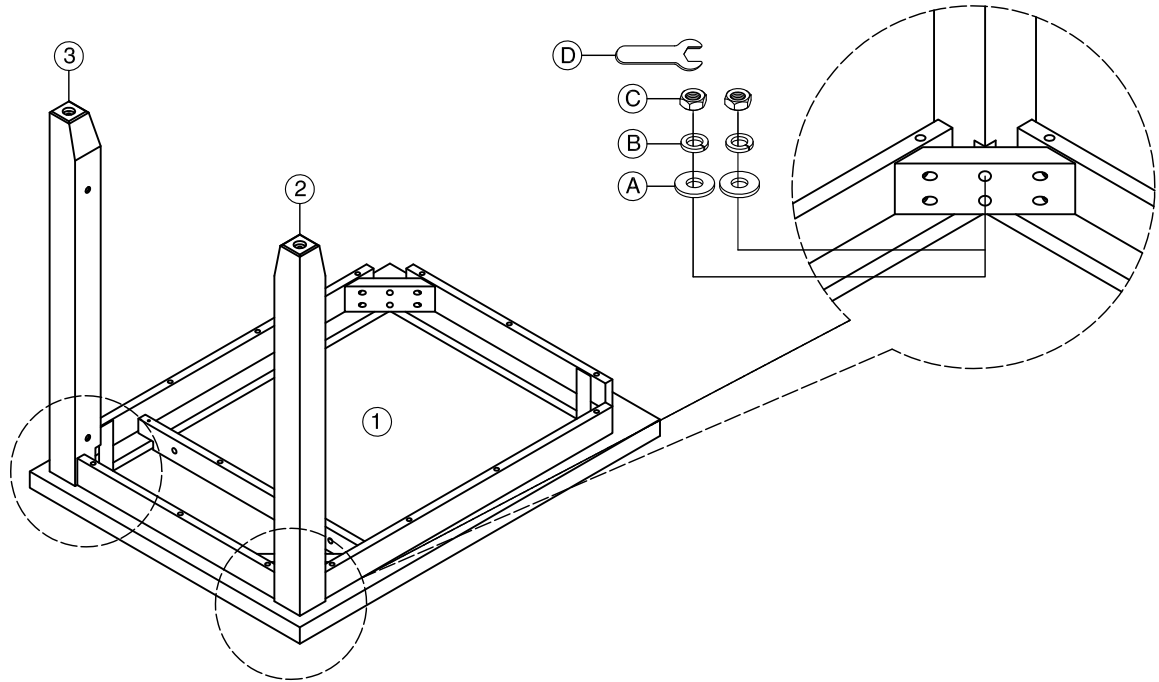
ASSEMBLY INSTRUCTIONS

DESCRIP: TABLE, 30"x 40" MULTI USE

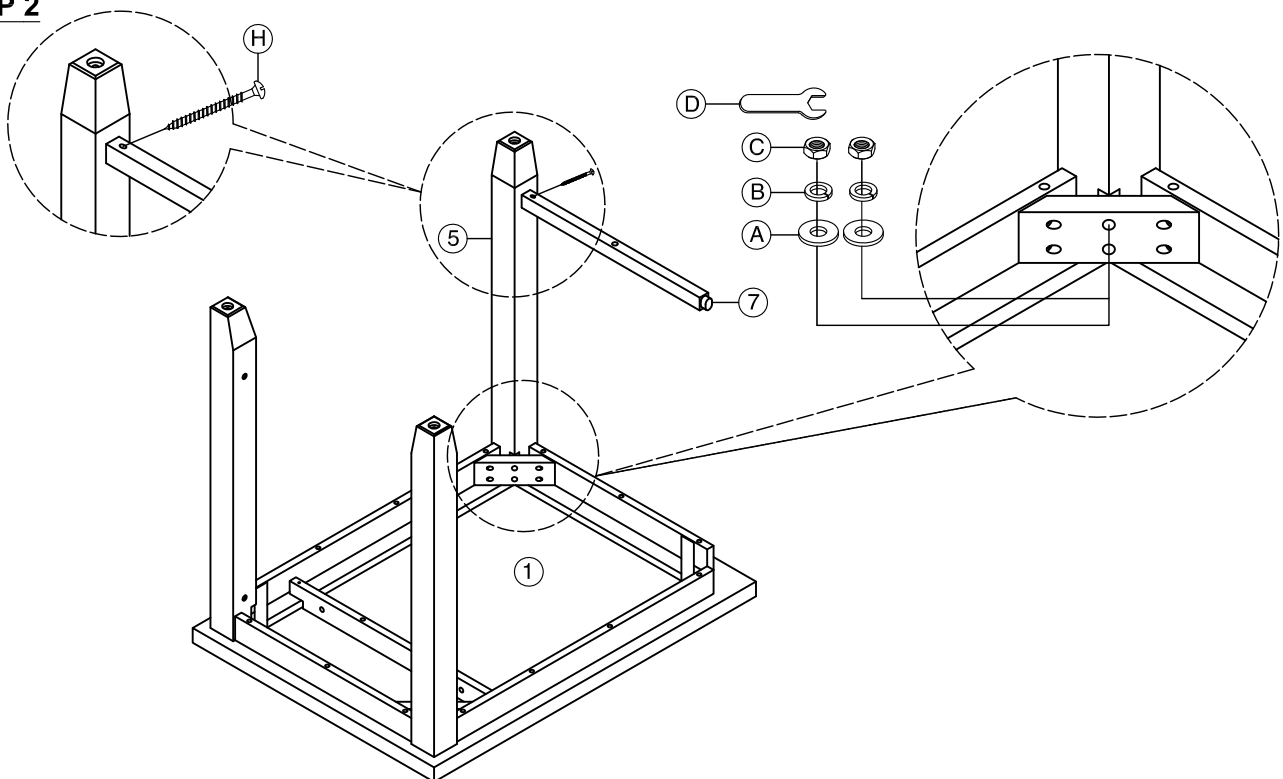
ITEM: HI-TA-3040G-SWH-C

Thank you for purchasing this quality product. Be sure to check all packing material carefully for small parts which may have come loose inside the carton during shipment. Identify and count all parts and compare with the parts list below. Please keep all hardware out of reach of small children.

STEP 1



STEP 2





INTERCON
FURNITURE FOR LIFE

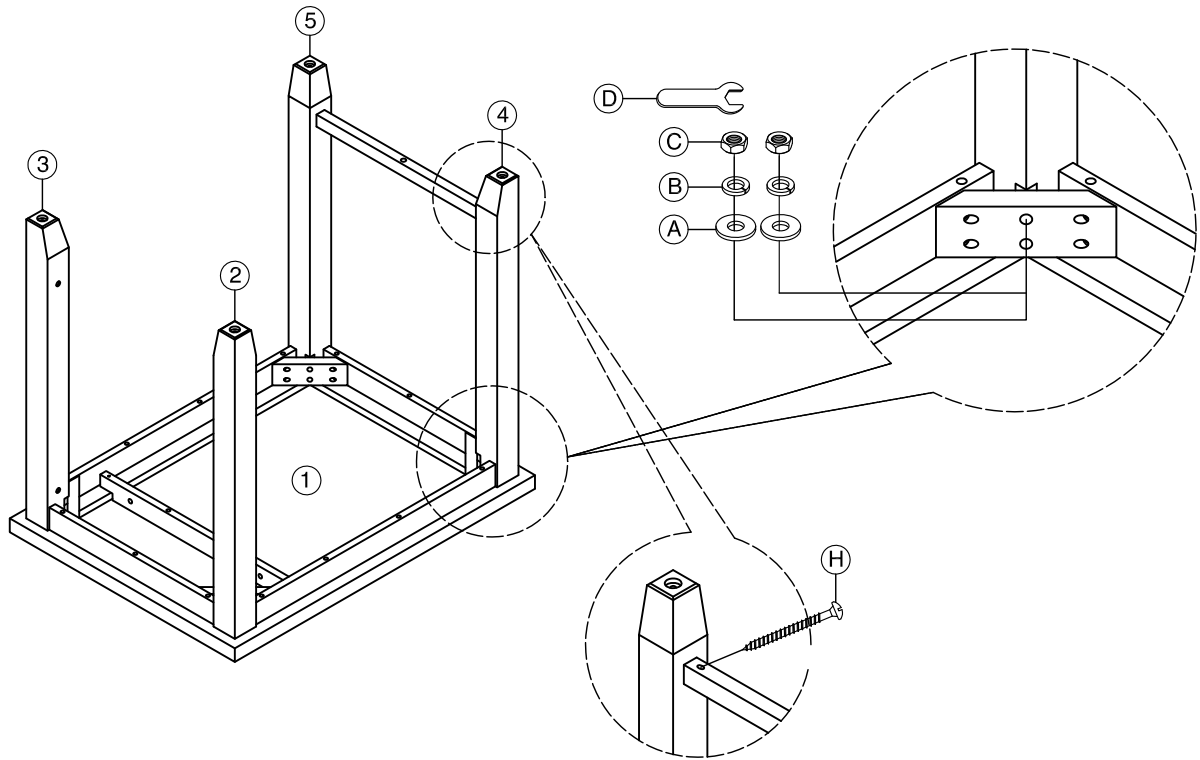
ASSEMBLY INSTRUCTIONS

DESCRIP: TABLE, 30"x 40" MULTI USE

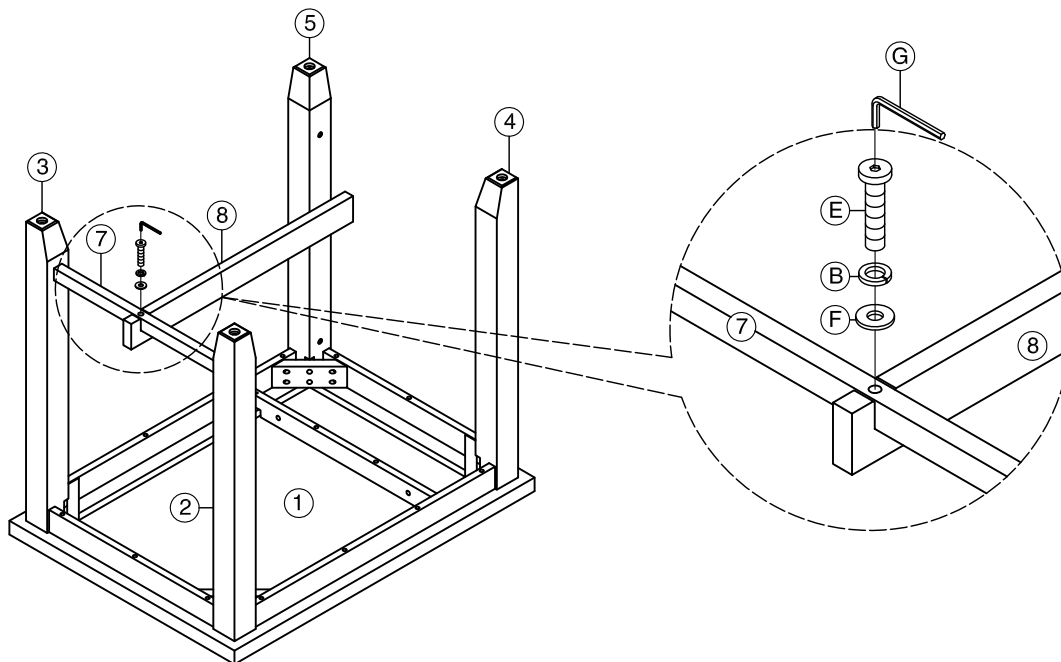
ITEM: HI-TA-3040G-SWH-C

Thank you for purchasing this quality product. Be sure to check all packing material carefully for small parts which may have come loose inside the carton during shipment. Identify and count all parts and compare with the parts list below. Please keep all hardware out of reach of small children.

STEP 3



STEP 4





INTERCON
FURNITURE FOR LIFE

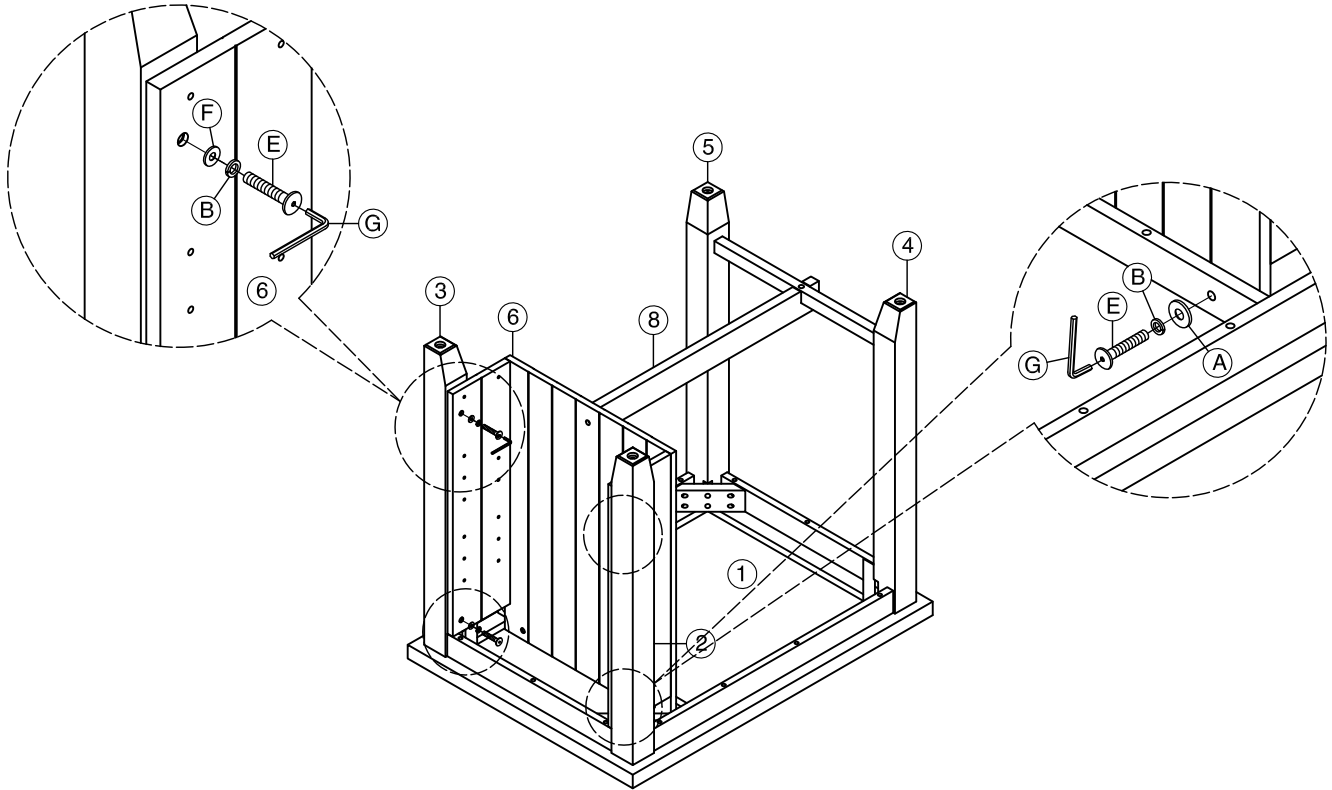
ASSEMBLY INSTRUCTIONS

DESCRIP: TABLE, 30"x 40" MULTI USE

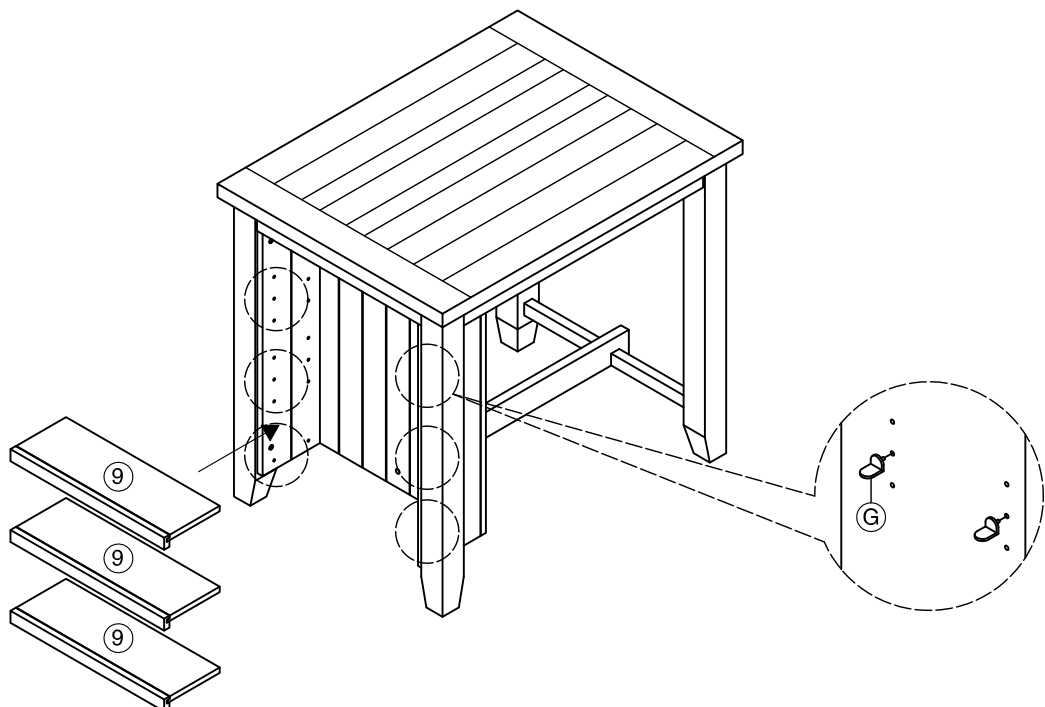
ITEM: HI-TA-3040G-SWH-C

Thank you for purchasing this quality product. Be sure to check all packing material carefully for small parts which may have come loose inside the carton during shipment. Identify and count all parts and compare with the parts list below. Please keep all hardware out of reach of small children.

STEP 5



STEP 6





INTERCON
FURNITURE FOR LIFE

ASSEMBLY INSTRUCTIONS

DESCRIP: TABLE, 30"x 40" MULTI USE

ITEM: HI-TA-3040G-SWH-C

Thank you for purchasing this quality product. Be sure to check all packing material carefully for small parts which may have come loose inside the carton during shipment. Identify and count all parts and compare with the parts list below. Please keep all hardware out of reach of small children.

STEP 7

