



ASSEMBLY INSTRUCTIONS

DESCRIPTION: TAHOE BUNK BED

Replacement Parts

Replacement parts, including additional guardrails, may be obtained from place of purchase or Original distribution

Size of Mattress (for UPPER Bunk, Twin)

This bed is designed to use a twin mattress 38" to 38.5" wide x 74" to 75" long with the total thickness not exceeding 8" for upper bunk. Do not use mattress without the proper slat system and proper attachments described in the instructions. NOTE: there must be at least 5 inches from the top surface of the mattress to top edge of guardrail.

Replacement Parts

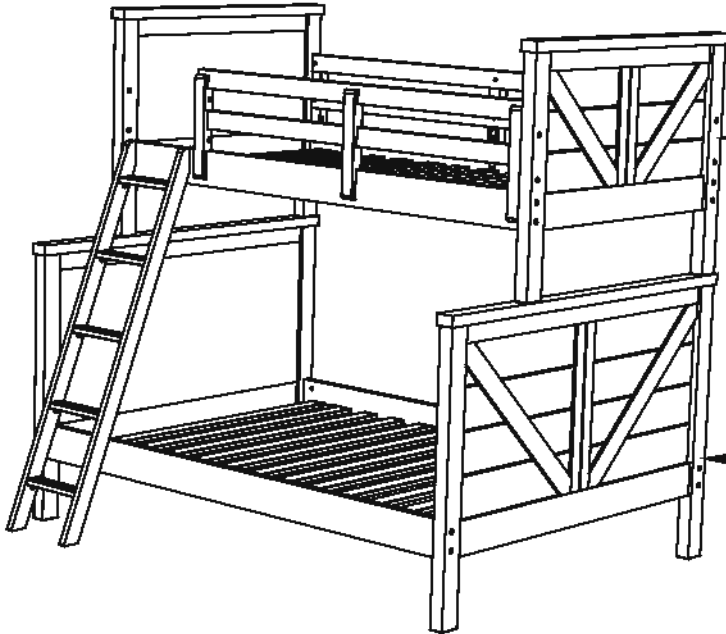
Keep all instruction sheets for future reference to assemble bed for moving and/or different set up.

SAFETY WARNING !

1. Follow the information on the warning appearing on the upper bunk end structure and on the carton. Do not remove warning label from bed.
2. Always use the recommended size mattress or mattress support, or both, to help prevent the likelihood of entrapment or falls.
3. Surface of mattress must be at least 5 inches below the upper edge of the guardrails.
4. Do not allow children under 6 years of age to use the upper bunk.
5. Prohibit more than one person on upper bunk.
6. Periodically check and ensure that the guardrail, ladder, and other components are in their proper position, free from damage, and that all connectors are tight.
7. Do not allow horseplay on or under the bed and prohibit jumping on the bed.
8. Always use the ladder for entering and leaving the upper bunk.
9. Do not use any substitute parts. Contact manufacturer or dealer for replacement parts.
10. Use of a night light may provide added safety precaution for a child using the upper bunk.
11. If the bunk bed will be placed next to a wall, the guardrail that runs the full length of the bed should be placed against the wall to prevent entrapment between the bed and the wall.
12. Always use guardrails on both long sides of the upper bunk.
13. The use of water or sleep flotation mattress is prohibited.
14. Keep these instructions for future reference.
15. **Strangulation Hazard**-Never attach or hang items to any part of the bunk bed that are not designed for use with the bed: for example, but not limited to, hooks, belts, and jump ropes.



Thank you for purchasing this quality product. Be sure to check all packing material carefully for small Hardware which may have come loose inside the carton during shipment. Identify and count all Hardware and compare with the Hardware List Below.

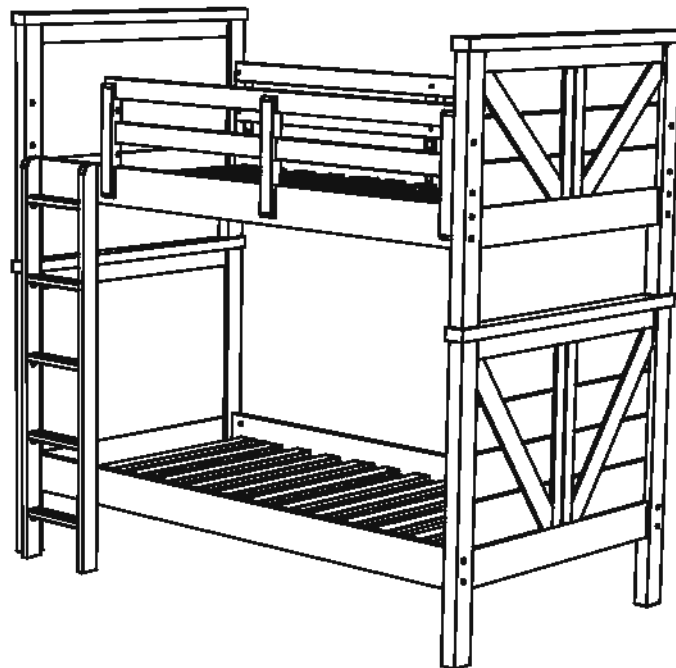


Size of Mattress (for UPPER Bunk, Twin)
This bed is designed to use a twin mattress 38" to 38.5" wide x 74" to 75" long with the total thickness not exceeding 8" for upper bunk.

Size of Mattress (for LOWER Bunk, Full)
This bed is designed to use a full mattress 53.5" to 54" wide x 74" to 75" long with the total thickness not exceeding 8" for lower bunk.

TAHOE TWIN OVER FULL BUNK BED

- Item No: TA-BR-6310LF-RVR/SSH-C
- TA-BR-6360FB-RVR/SSH-BSE
- TA-BR-6360TB-RVR/SSH-TOP
- TA-BR-6360-RVR/SSH-RS



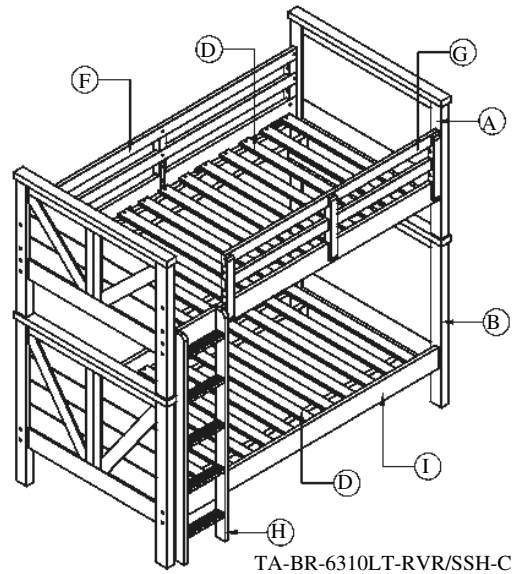
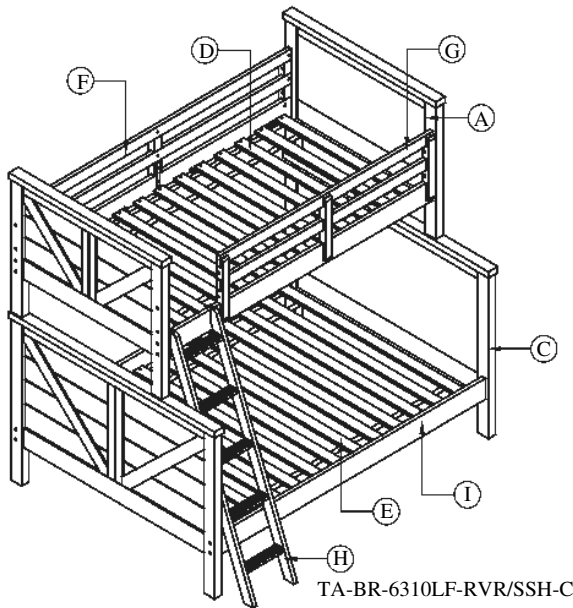
Size of Mattress
This bed is designed to use a twin mattress 38" to 38.5" wide x 74" to 75" long with the total thickness not exceeding 8" for upper and lower bunk.

TAHOE TWIN BUNK BED

- Item No: TA-BR-6310LT-RVR/SSH-C
- TA-BR-6360TB-RVR/SSH-BSE
- TA-BR-6360TB-RVR/SSH-TOP
- TA-BR-6360-RVR/SSH-RS



Thank you for purchasing this quality product. Be sure to check all packing material carefully for small Hardware which may have come loose inside the carton during shipment. Identify and count all Hardware and compare with the Hardware List Below.



HARDWARE LIST (FOR TA-BR-6360FB/6360TB-RVR/SSH-BSE)

No.	Drawing	Description	Size	Qty.
1		Metal Dowel	M12 x 100mm	4 PCS
2		Wood Screw	M4 x 30mm	26 PCS

HARDWARE LIST (FOR TA-BR-6360TB-RVR/SSH-TOP)

No.	Drawing	Description	Size	Qty.
3		Bolt	5/16" x 35mm	2 PCS
4		D-nut	5/16" x 15mm	2 PCS
5		Wood Screw	M4 x 30mm	26 PCS
6		Allen Key	M4	1 PC

HARDWARE LIST (FOR TA-BR-6310LF/6310LT-RVR/SSH-C)

No.	Drawing	Description	Size	Qty.
7		Bolt	5/16" x 85mm	6 PCS
8		D-nut	5/16" x 15mm	8 PCS
9		Allen Key	M4	1 PC
10		Bolt	5/16" x 35mm	2 PCS
11		Metal Plate	160 x 25 x 3.5mm	1 PC
12		Screw	M4 x 20mm	10 PCS

HARDWARE LIST (FOR TA-BR-6360-RVR/SSH-RS)

No.	Drawing	Description	Size	Qty.
13		Bolt	5/16" x 85mm	16 PCS
14		Barrel Nut	5/16" x 15mm	16 PCS
15		Allen Key	M4	1 PC

TOOLS REQUIRED (NOT PROVIDED)



PART LIST

No.	Drawing	Description	Qty.
A		Upper Twin Bunk Bed Ends TA-BR-6360TB-RVR/SSH-TOP	2 PCS
B		Lower Twin Bunk Bed Ends TA-BR-6360TB-RVR/SSH-BSE	2 PCS
C		Lower Full Bunk Bed Ends TA-BR-6360FB-RVR/SSH-BSE	2 PCS
D		Twin Bed Slat	1 SET
E		Full Bed Slat	1 SET
F		Long Guard Rail TA-BR-6310LF-RVR/SSH-C TA-BR-6310LT-RVR/SSH-C	1 PC
G		Short Guard Rail TA-BR-6310LF-RVR/SSH-C TA-BR-6310LT-RVR/SSH-C	1 PC
H		Ladder TA-BR-6310LF-RVR/SSH-C TA-BR-6310LT-RVR/SSH-C	1 PC
I		Bed Side Rails TA-BR-6360-RVR/SSH-RS	4 PCS



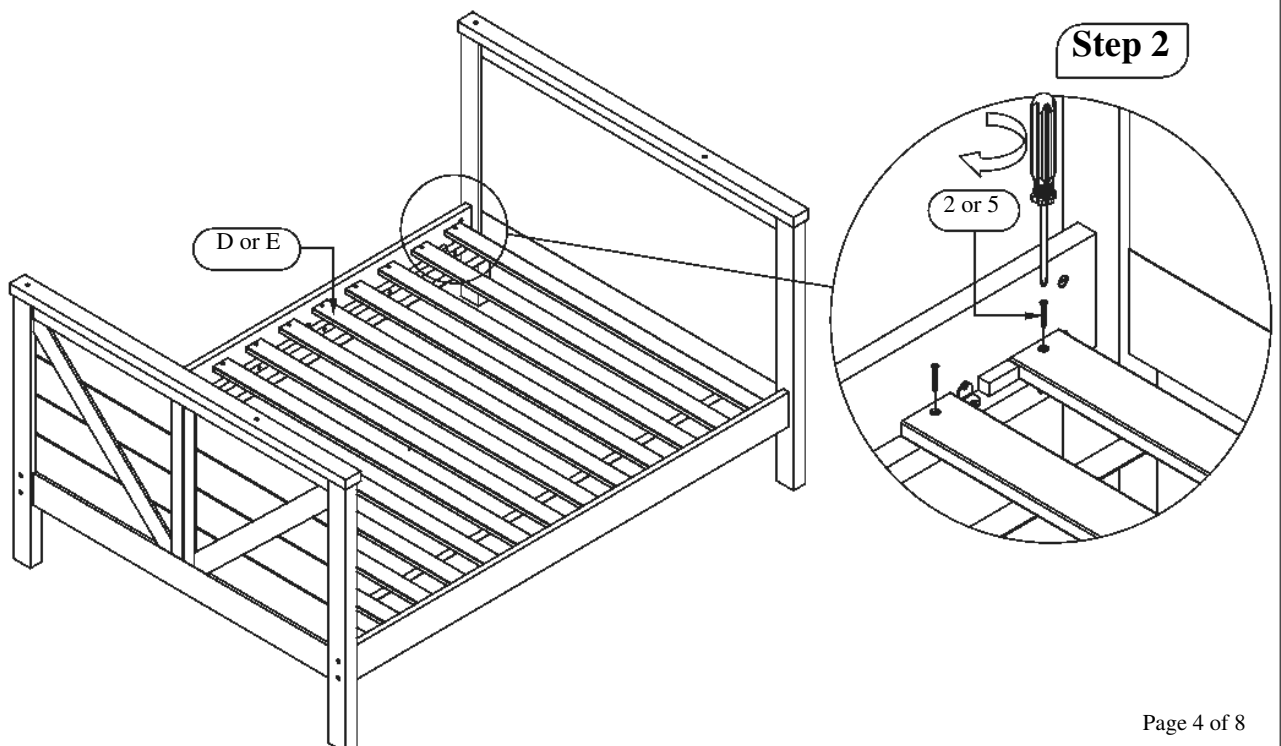
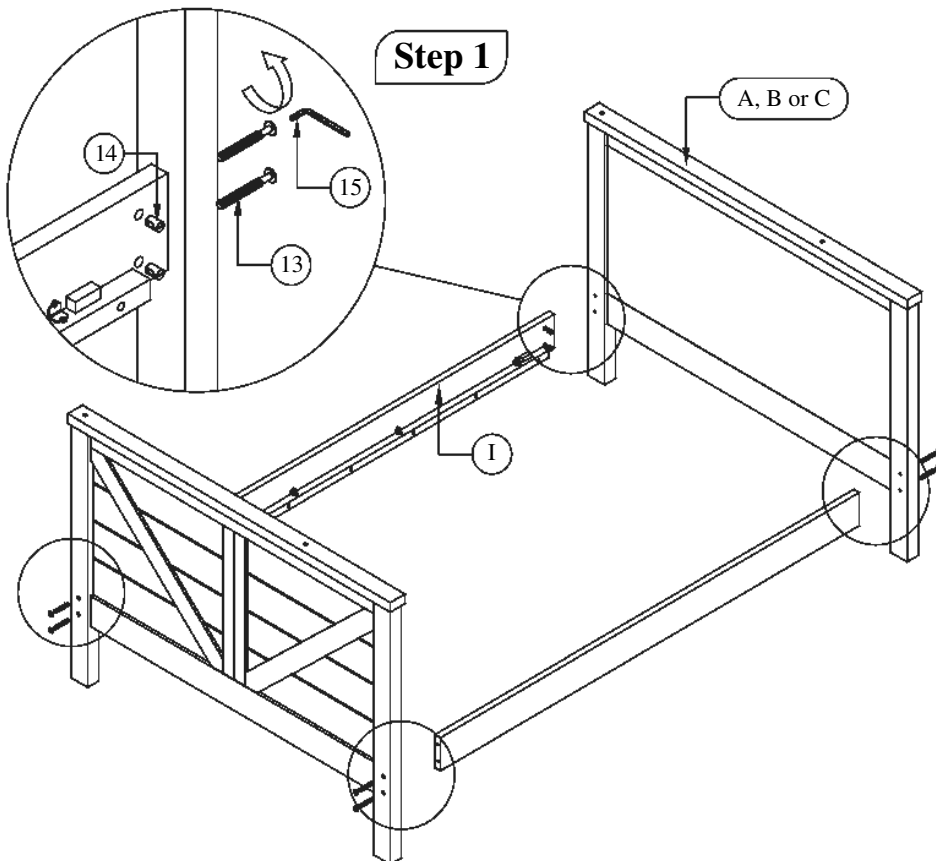
INTERCON
FURNITURE FOR LIFE

ASSEMBLY INSTRUCTIONS

ITEM NO: TA-BR-6360TB-RVR/SSH-BSE / TA-BR-6360FB-RVR/SSH-BSE
TA-BR-6360TB-RVR/SSH-TOP / TA-BR-6360-RVR/SSH-RS

DESCRIPTION: TAHOE BUNK BED

CAUTION: Do not attempt to move the bed when fully assembled. This could result in damage to the rails, headboard, or footboard.





INTERCON
FURNITURE FOR LIFE

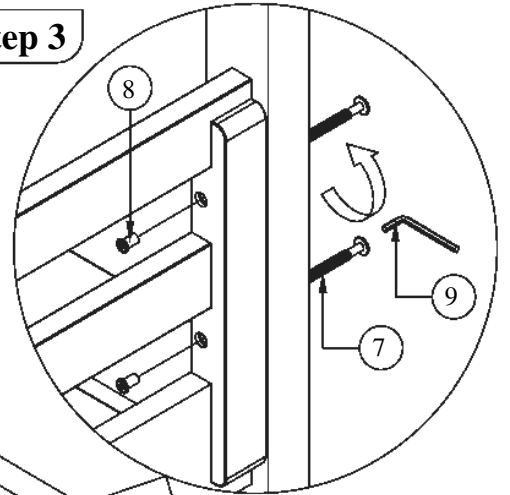
ASSEMBLY INSTRUCTIONS

ITEM NO: TA-BR-6360TB-RVR/SSH-TOP / TA-BR-6310LF-RVR/SSH-C
TA-BR-6310LT-RVR/SSH-C / TA-BR-6360-RVR/SSH-RS

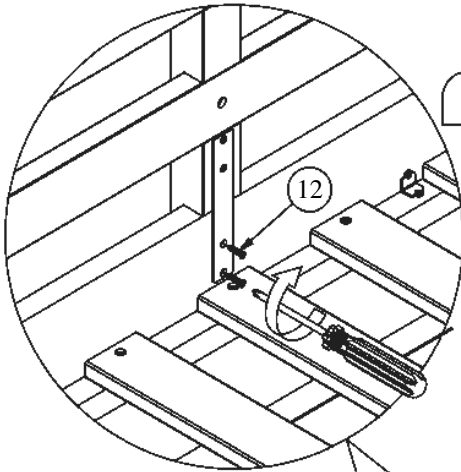
DESCRIPTION: TAHOE BUNK BED

CAUTION: Do not attempt to move the bed when fully assembled. This could result in damage to the rails, headboard, or footboard.

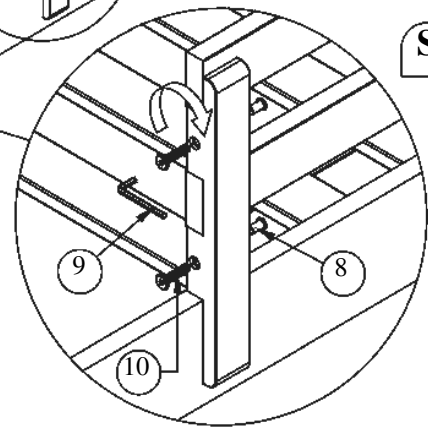
Step 3



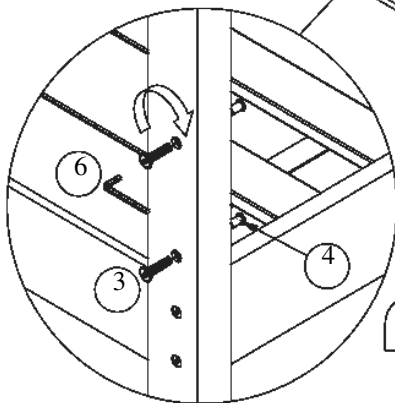
Step 6



Step 4



Step 5





INTERCON
FURNITURE FOR LIFE

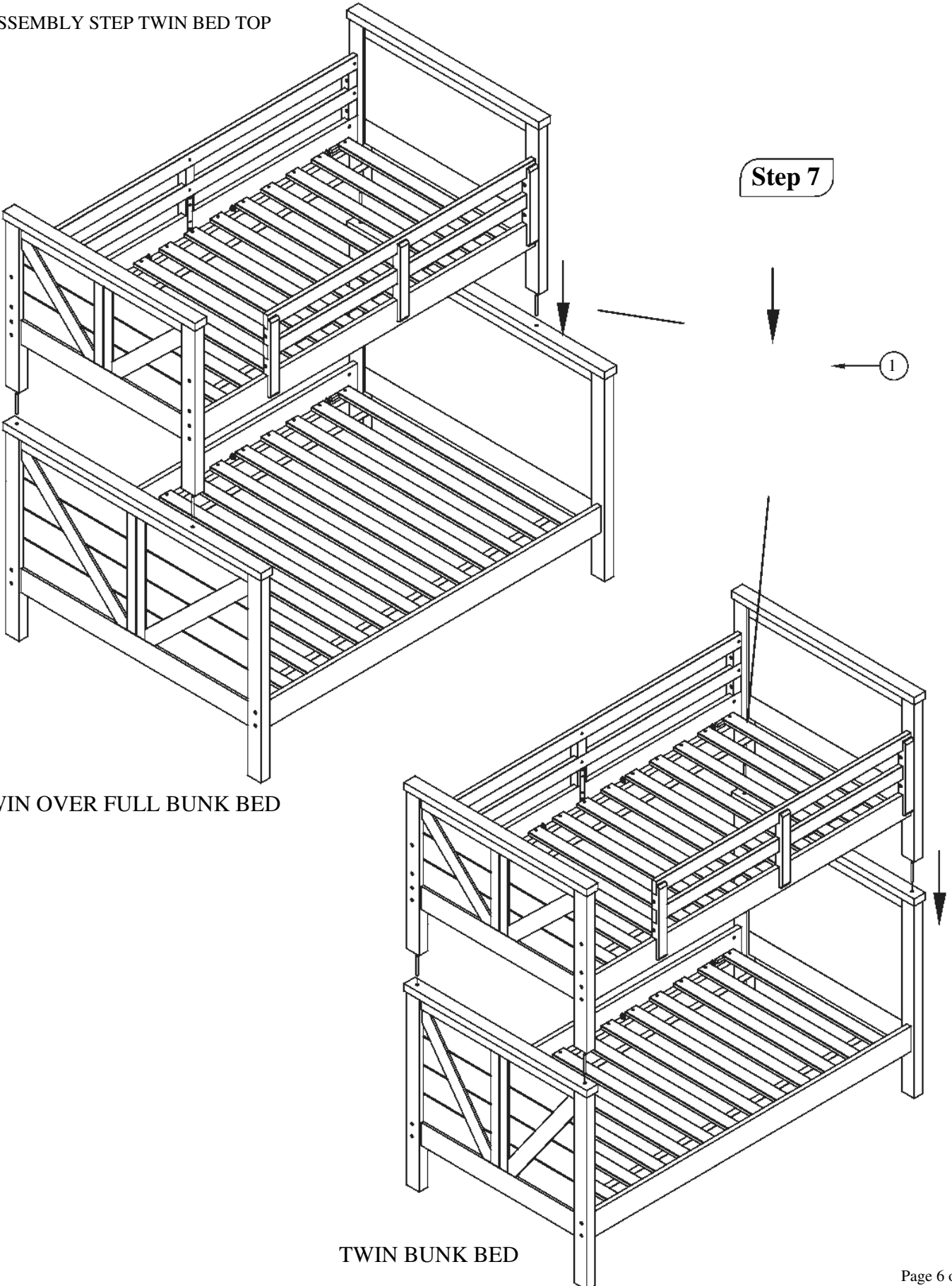
ASSEMBLY INSTRUCTIONS

ITEM NO: TA-BR-6360TB-RVR/SSH-TOP / TA-BR-6360FB-RVR/SSH-BSE
TA-BR-6360TB-RVR/SSH-BSE / TA-BR-6310LF-RVR/SSH-C
TA-BR-6310LT-RVR/SSH-C / TA-BR-6360-RVR/SSH-RS

DESCRIPTION: TAHOE BUNK BED

ASSEMBLY STEP TWIN BED TOP

Step 7



TWIN OVER FULL BUNK BED

TWIN BUNK BED



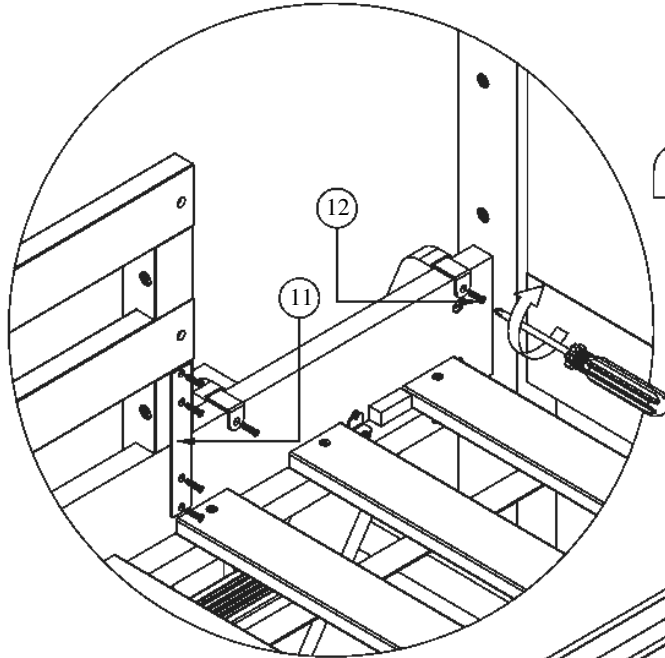
INTERCON
FURNITURE FOR LIFE

ASSEMBLY INSTRUCTIONS

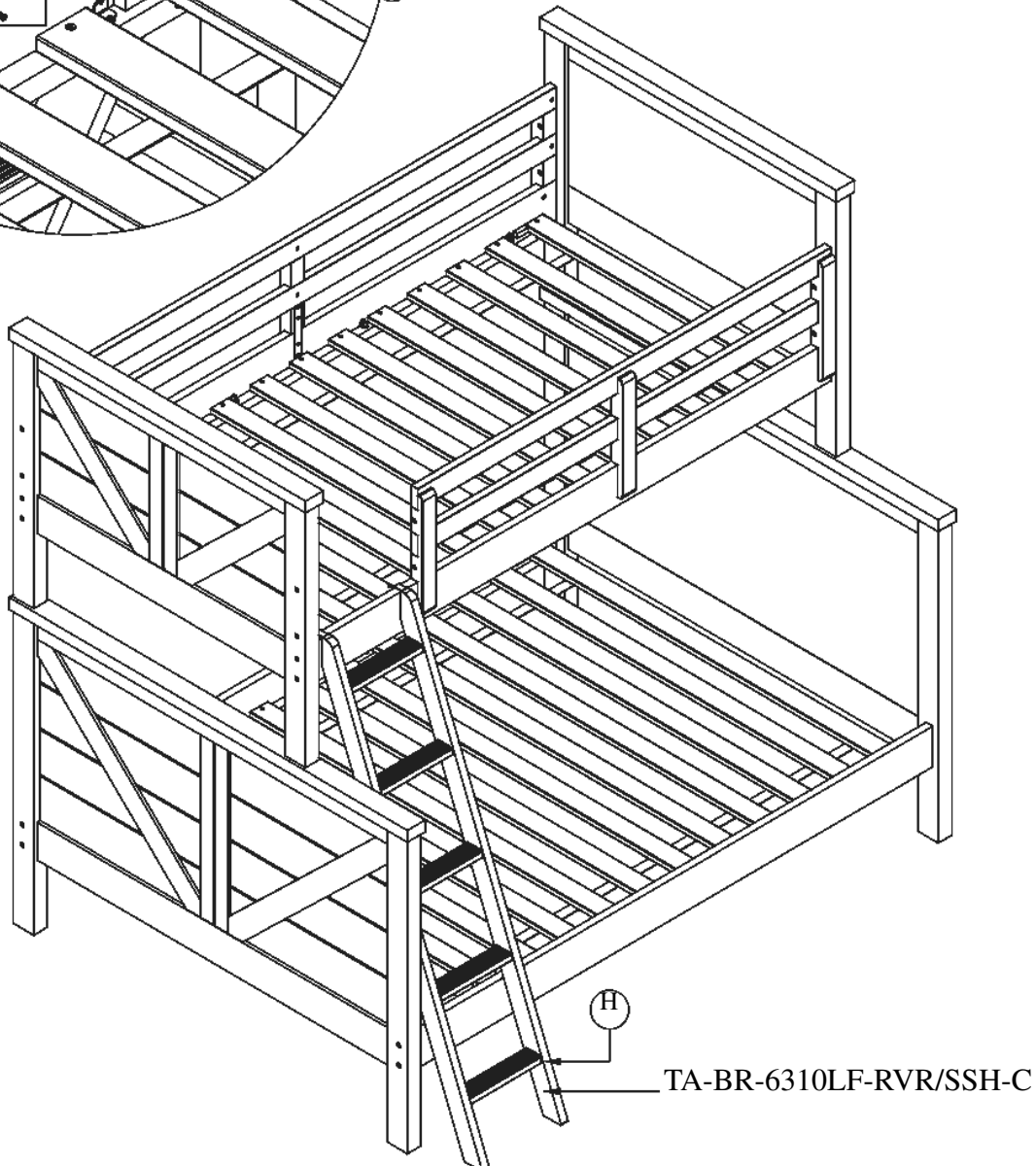
ITEM NO: TA-BR-6360TB-RVR/SSH-TOP / TA-BR-6360FB-RVR/SSH-BSE
TA-BR-6310LF-RVR/SSH-C / TA-BR-6360-RVR/SSH-RS

DESCRIPTION: TAHOE BUNK BED

ASSEMBLY STEPS BED LADDER



Step 8





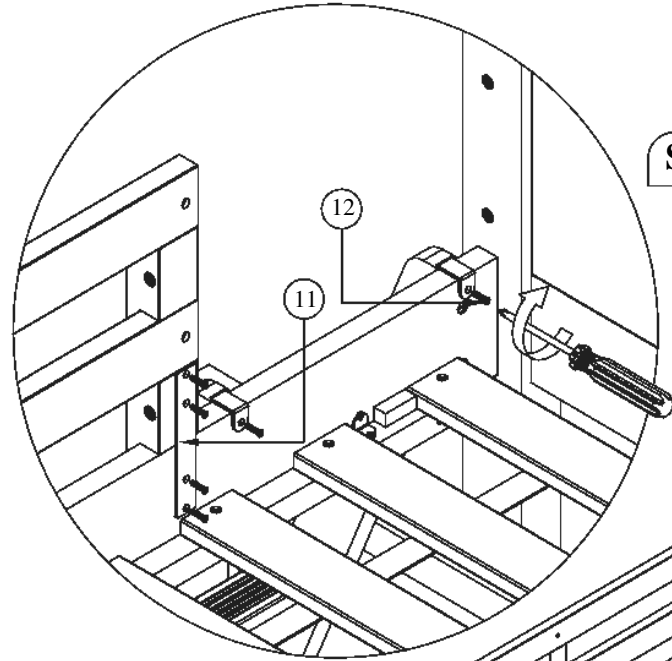
INTERCON
FURNITURE FOR LIFE

ASSEMBLY INSTRUCTIONS

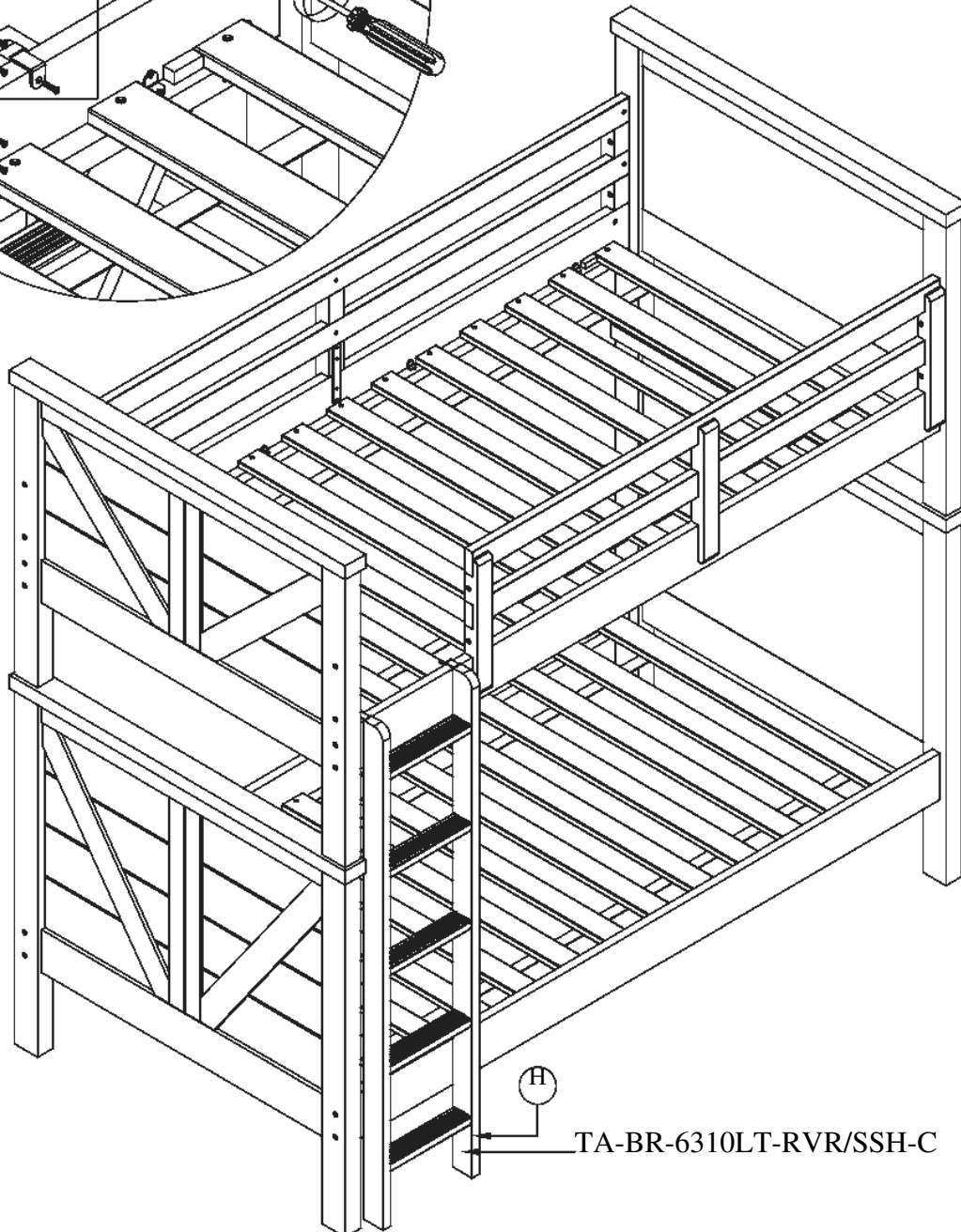
ITEM NO: TA-BR-6360TB-RVR/SSH-TOP / TA-BR-6360TB-RVR/SSH-BSE
TA-BR-6310LT-RVR/SSH-C / TA-BR-6360-RVR/SSH-RS

DESCRIPTION: TAHOE BUNK BED

ASSEMBLY STEPS BED LADDER



Step 9



TA-BR-6310LT-RVR/SSH-C