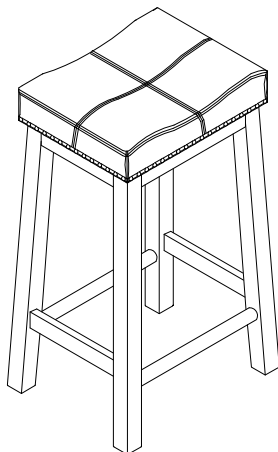
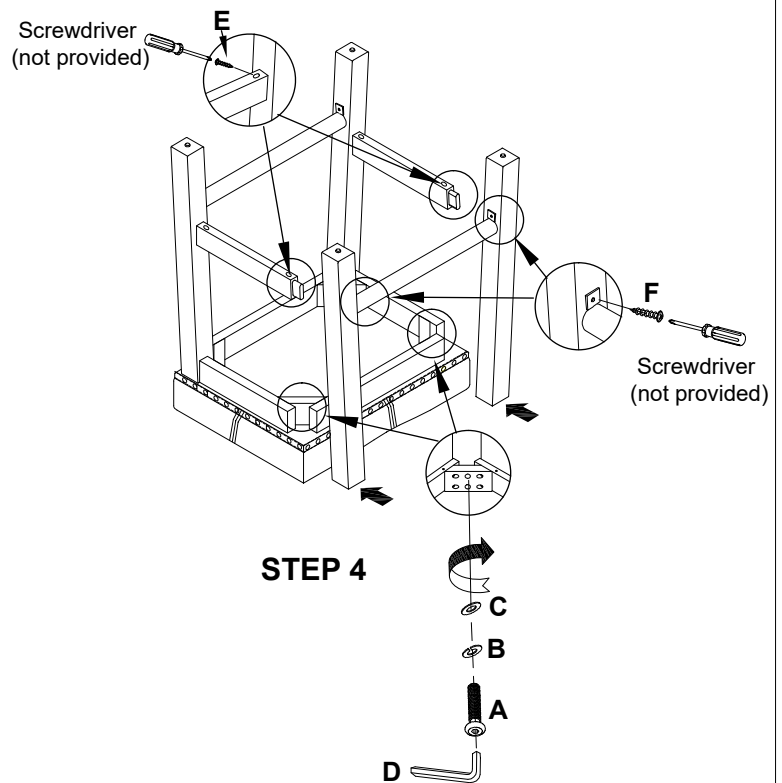
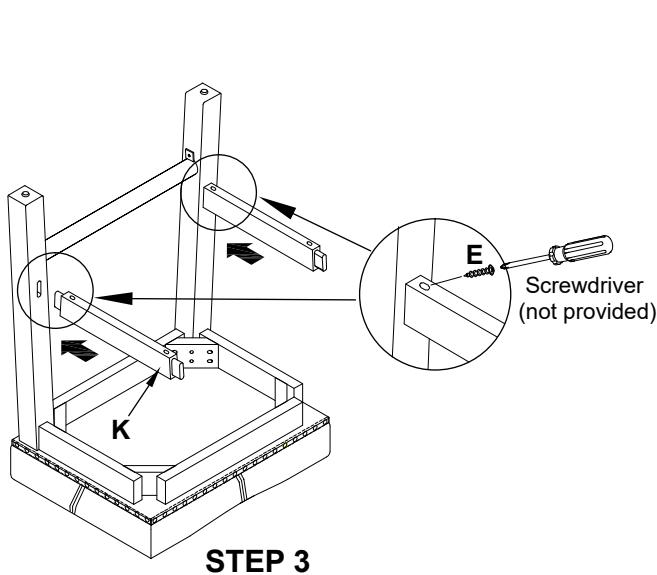
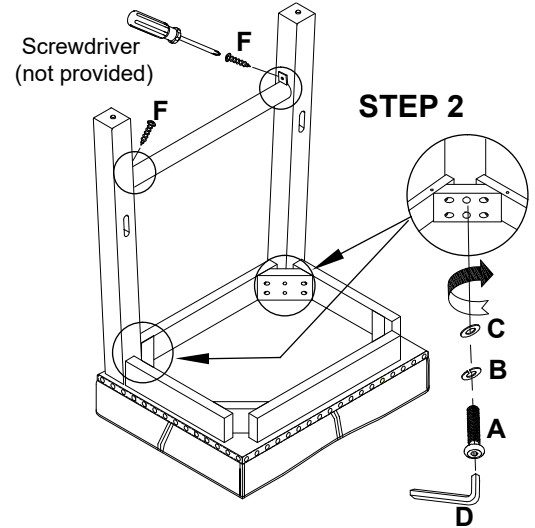
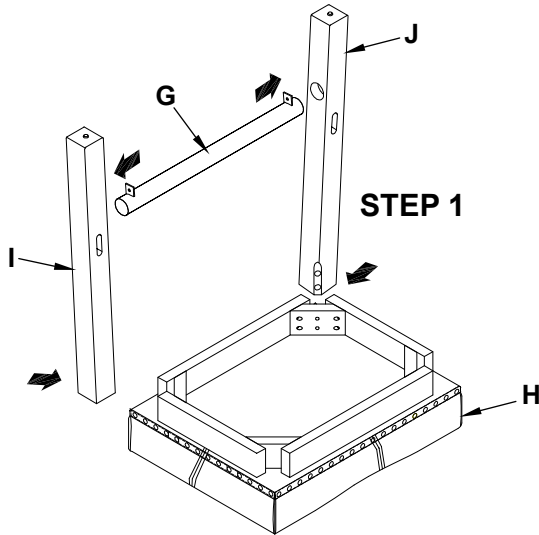


ASSEMBLY INSTRUCTIONS

ITEM #: TS-BS-35C-CYB-K30

DESCRIPTION: BARSTOOL, 30" BACKLESS

Thank you for purchasing this quality product. Be sure to check all packing material carefully for small parts, which may have come loose inside the carton during shipment. Identify and count all parts / hardware and compare with the parts / hardware list below. Keep all hardware out of reach of small children.



Please tighten all bolts firmly and make sure the barstool does not wobble.
MADE IN VIETNAM

| HARDWARE / PARTS LIST (for 1 barstool) | | | | | |
|--|--|--------------------|-------|----------|-----------------------|
| A | | Bolt 1/4" x 2" | 8 pcs | G | Metal Stretcher 2 pcs |
| B | | Spring Washer 1/4" | 8 pcs | H | Cushion Seat 1 pc |
| C | | Flat Washer 1/4" | 8 pcs | I | Left Leg 2 pcs |
| D | | Allen Key | 1 pc | J | Right Leg 2 pcs |
| E | | Wood Screw | 4 pcs | K | Wood Stretcher 2 pcs |
| F | | Phillip Wood Screw | 4 pcs | | |