

ASSEMBLY INSTRUCTION








MI-BS-850C-RFO-K24 / CBRA-760-L CHAIR

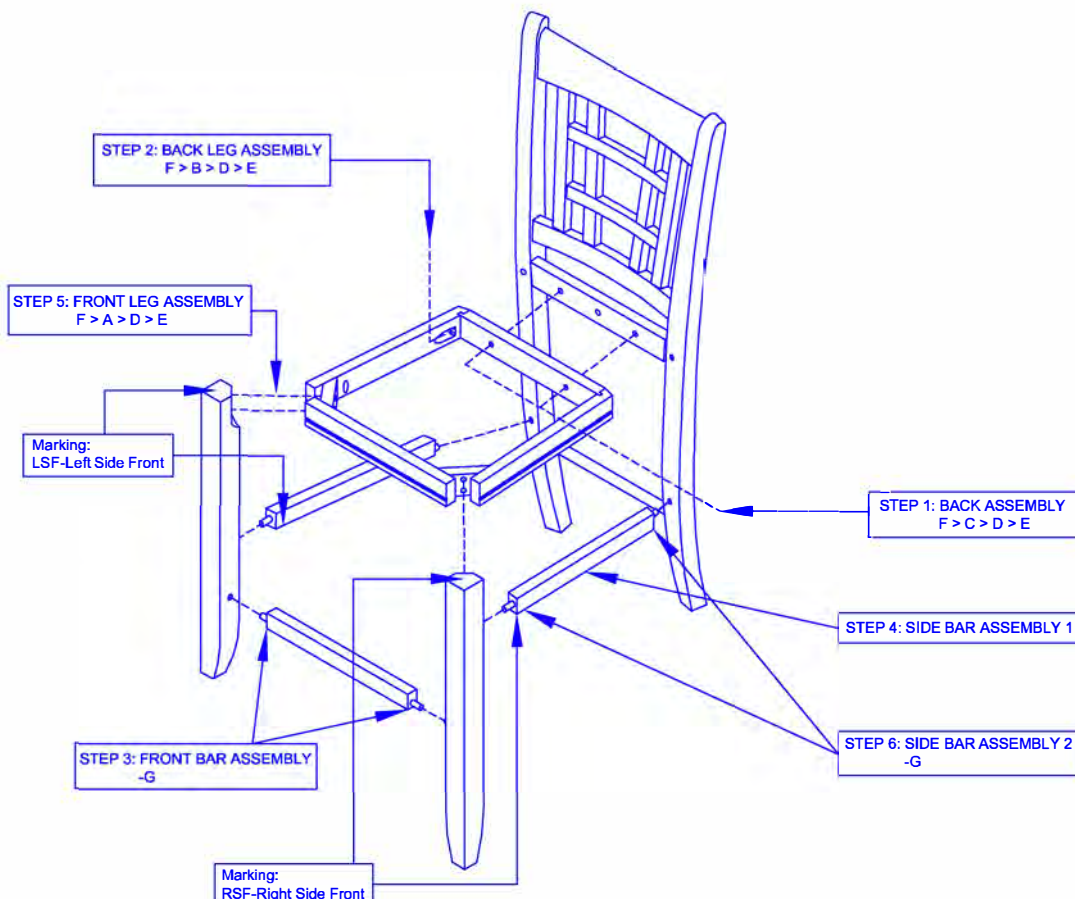
Thank you for purchasing this quality product. Be sure to check all packing material carefully for small parts which may come loose inside the carton during shipment.

Identify and count all parts.

NOTE: ASSEMBLE THE CHAIR ON A FLAT & SOFT SURFACE. DO NOT TIGHTEN ALL THE SCREWS UNTIL THE CHAIR HAS BEEN PUT A FLAT /HARD SURFACE ADJUST & LEVEL ALL THE LEGS SO THAT THEY DO NOT WOBBLE. ONCE ADJUSTED THEN TIGHTEN ALL THE SCREWS.

REMARKS : KEEP ALL HARDWARE OUT OF REACH OF SMALL CHILDREN

HARDWARE LIST			
NO	DESCRIPTION	QTY	
A	1/4 X 63MM JCBC BOLT	4PCS	
B	1/4 X 50MM JCBC BOLT	2PCS	
C	1/4 X 38MM JCBC BOLT	2PCS	
D	SPRING WASHER 1/4	8PCS	
E	WASHER 1/4	8PCS	
F	ALLEN KEY	1PC	
G	#8 X 1 1/4" WOODEN SCREW	6PCS	



NOTE: TO ENSURE CHAIR DURABLE AND LONG LASTING, PLEASE CHECK ENTIRE CHAIR PART WHETHER IT'S IN SAFE AND ORDINARY CONDITIONS.

ASSEMBLY INSTRUCTION








MI-CH-850C-RFO-RTA / CCRA-760-S SIDE CHAIR

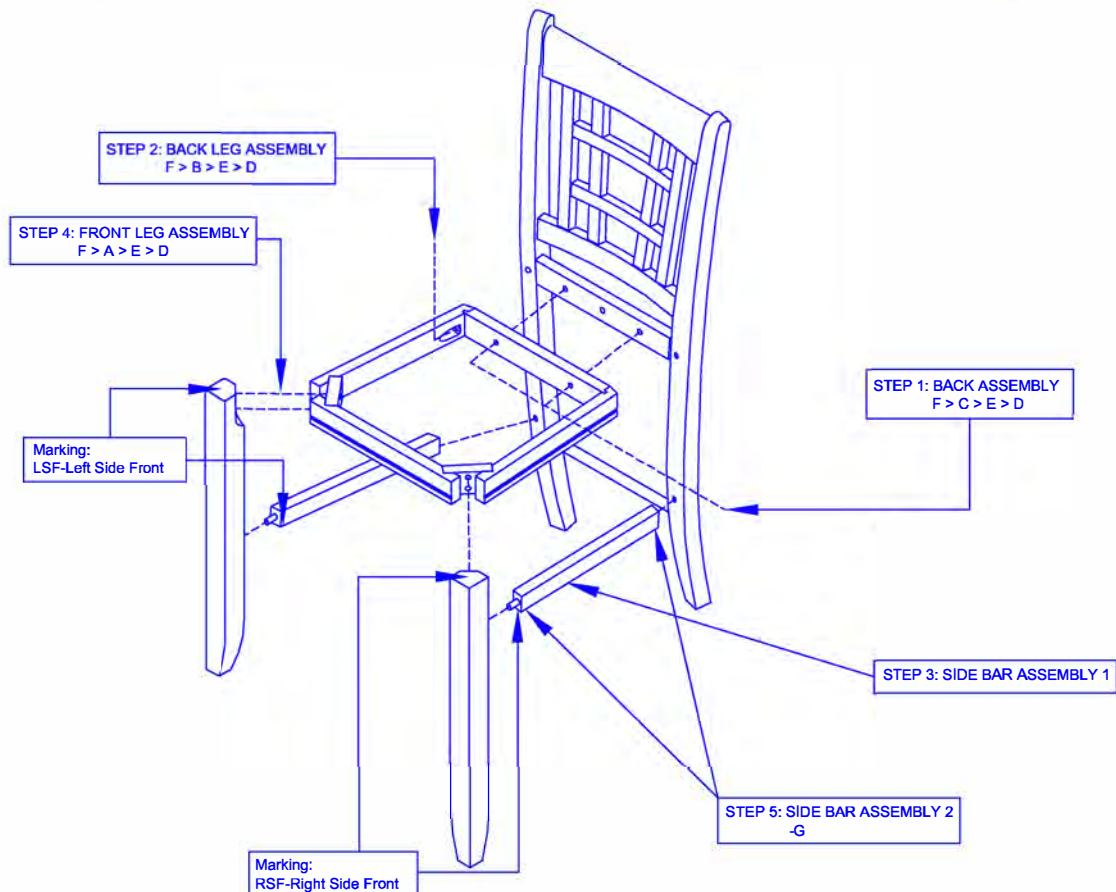
Thank you for purchasing this quality product. Be sure to check all packing material carefully for small parts which may come loose inside the carton during shipment.

Identify and count all parts.

NOTE: ASSEMBLE THE CHAIR ON A FLAT & SOFT SURFACE. DO NOT TIGHTEN ALL THE SCREWS UNTIL THE CHAIR HAS BEEN PUT A FLAT /HARD SURFACE ADJUST & LEVEL ALL THE LEGS SO THAT THEY DO NOT WOBBLE. ONCE ADJUSTED THEN TIGHTEN ALL THE SCREWS.

REMARKS : KEEP ALL HARDWARE OUT OF REACH OF SMALL CHILDREN

HARDWARE LIST			
NO	DESCRIPTION	QTY	
A	1/4 X 63MM JCBC BOLT	4PCS	
B	1/4 X 50MM JCBC BOLT	2PCS	
C	1/4 X 38MM JCBC BOLT	2PCS	
D	SPRING WASHER 1/4	8PCS	
E	WASHER 1/4	8PCS	
F	ALLEN KEY	1PC	
G	#8 X 1 1/4" WOODEN SCREW	4PCS	



NOTE: TO ENSURE CHAIR DURABLE AND LONG LASTING, PLEASE CHECK ENTIRE CHAIR PART WHETHER IT'S IN SAFE AND ORDINARY CONDITIONS.

ASSEMBLY INSTRUCTION








MI-BS-850C-RFO-K30 / CBRA-760-H CHAIR

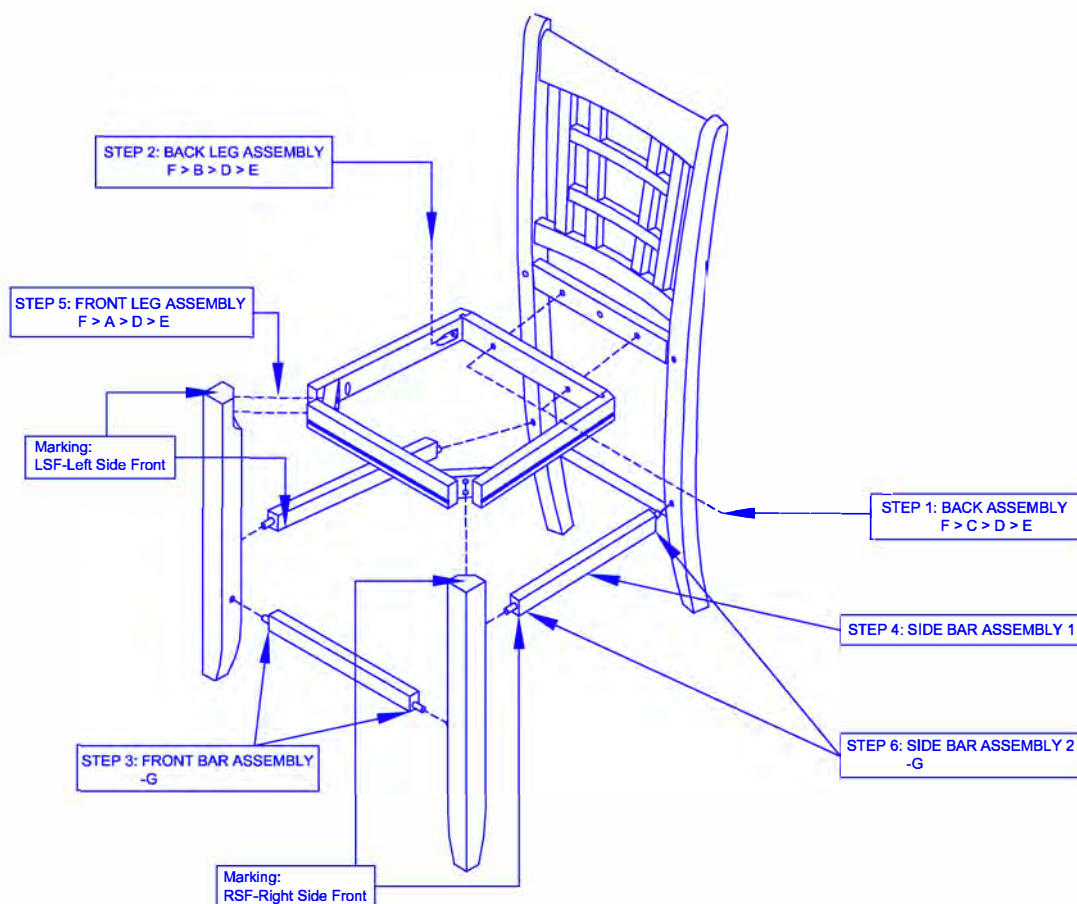
Thank you for purchasing this quality product. Be sure to check all packing material carefully for small parts which may come loose inside the carton during shipment.

Identify and count all parts.

NOTE: ASSEMBLE THE CHAIR ON A FLAT & SOFT SURFACE. DO NOT TIGHTEN ALL THE SCREWS UNTIL THE CHAIR HAS BEEN PUT A FLAT /HARD SURFACE ADJUST & LEVEL ALL THE LEGS SO THAT THEY DO NOT WOBBLE. ONCE ADJUSTED THEN TIGHTEN ALL THE SCREWS.

REMARKS : KEEP ALL HARDWARE OUT OF REACH OF SMALL CHILDREN

HARDWARE LIST			
NO	DESCRIPTION	QTY	
A	1/4 X 63MM JCBC BOLT	4PCS	
B	1/4 X 50MM JCBC BOLT	2PCS	
C	1/4 X 38MM JCBC BOLT	2PCS	
D	SPRING WASHER 1/4	8PCS	
E	WASHER 1/4	8PCS	
F	ALLEN KEY	1PC	
G	#8 X 1 1/4" WOODEN SCREW	6PCS	



NOTE: TO ENSURE CHAIR DURABLE AND LONG LASTING, PLEASE CHECK ENTIRE CHAIR PART WHETHER IT'S IN SAFE AND ORDINARY CONDITIONS.

TABLE ASSEMBLY INSTRUCTION

MI-TA-4260-RFO-BSE, TOP / MNDT-4260B, T-PPB DINING TABLE

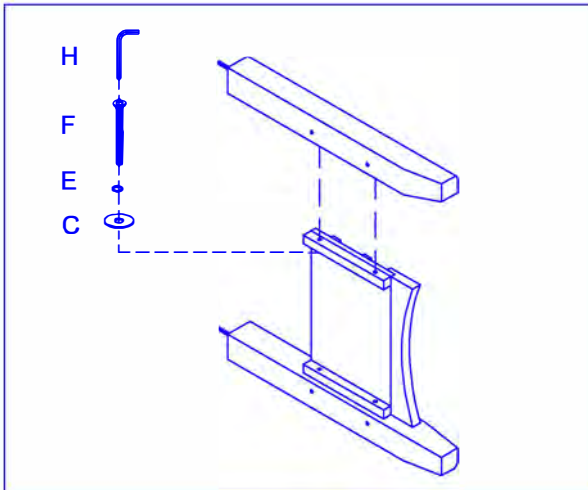
Thank you for purchasing this quality product. Be sure to check all packing material carefully for small parts which may have come loose inside the carton during shipment. Identify and count all parts and compare with the Parts List below.

****Assemble the table on flat, soft surface such as carpet or cloth to prevent scratching table finish. Read all the instruction and study the drawings carefully before starting the assemble process.**

Caution : Wipe up spills as soon as possible. Please wipe with dry rag right away.

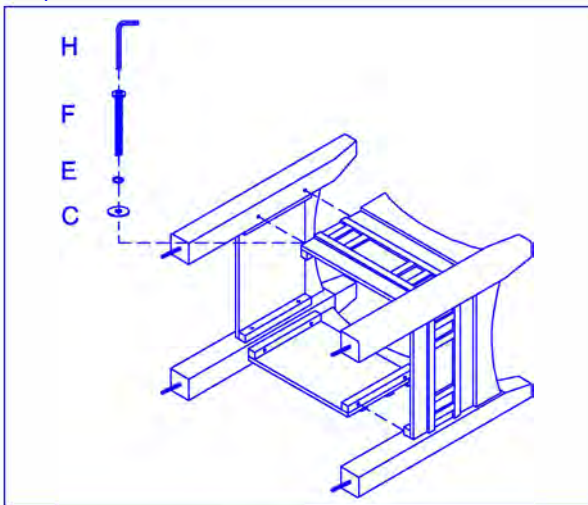
REMARKS : KEEP ALL HARDWARE OUT OF REACH OF SMALL CHILDREN

Step 1.

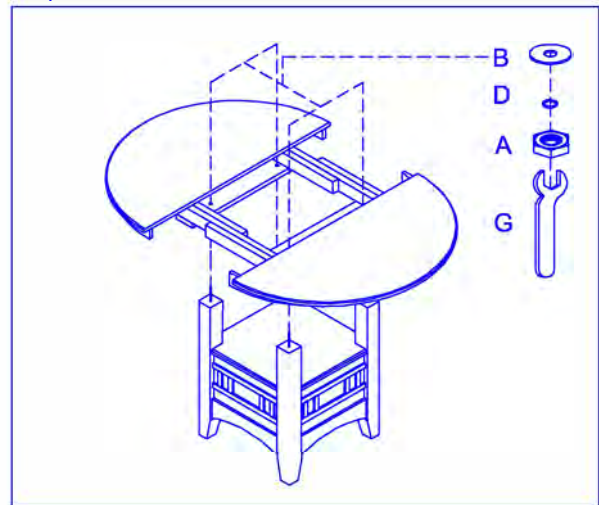


HARDWARE LIST			
NO	DESCRIPTION		QTY
A	5/16" X 12MM NUT		4PCS
B	WASHER(BIG) 5/16		4PCS
C	WASHER(SMALL) 1/4		16PCS
D	LOCK WASHER(BIG) 5/16		4PCS
E	LOCK WASHER SMALL) 1/4		16PCS
F	1/4" X 40MM ALLEN SCREW		16PCS
G	WRENCH		1PC
H	ALLEN KEY		1PC

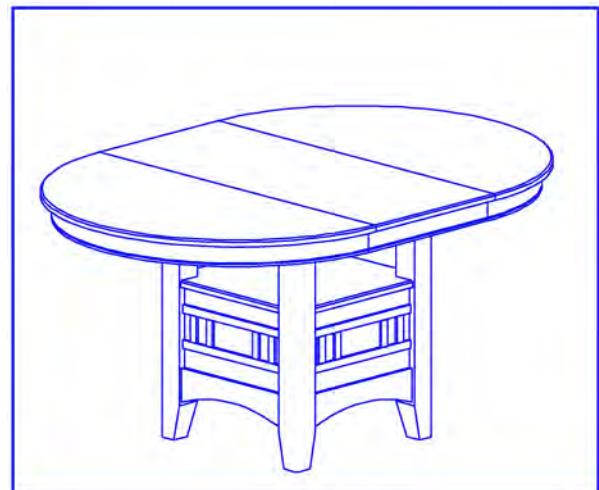
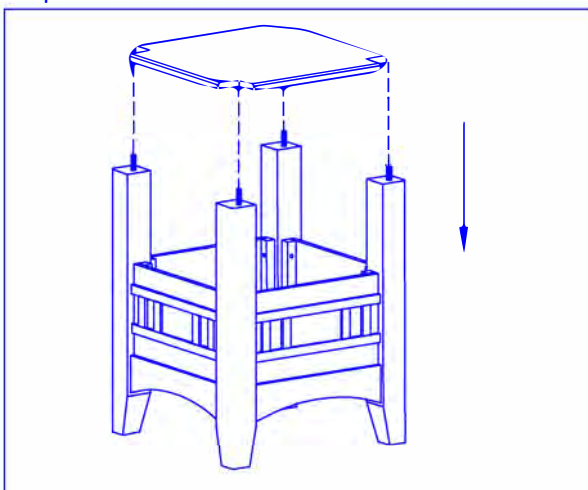
Step 2.

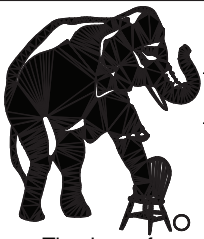


Step 4.



Step 3.





INTERCON

FURNITURE FOR LIFE


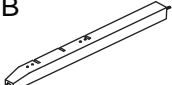
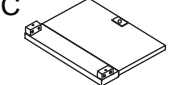
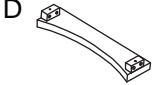

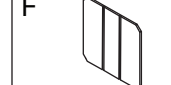
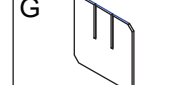
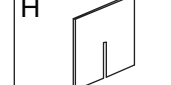









ASSEMBLY INSTRUCTION

DESCRIPTION: 42 PUB TABLE

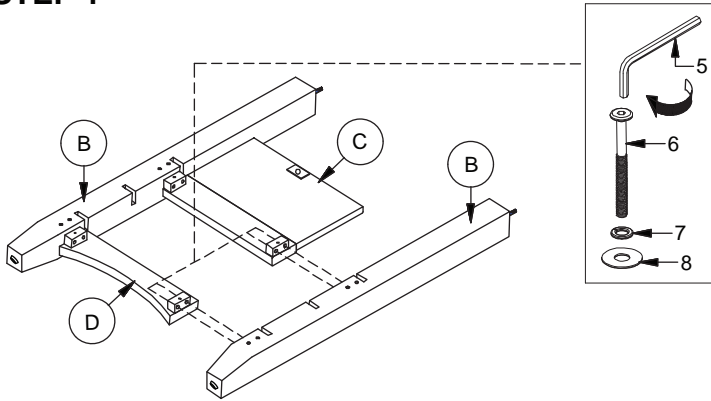
ITEM NO: MI-TA-4242P-RFO-TOP

MI-TA-4242P-RFO-BSE

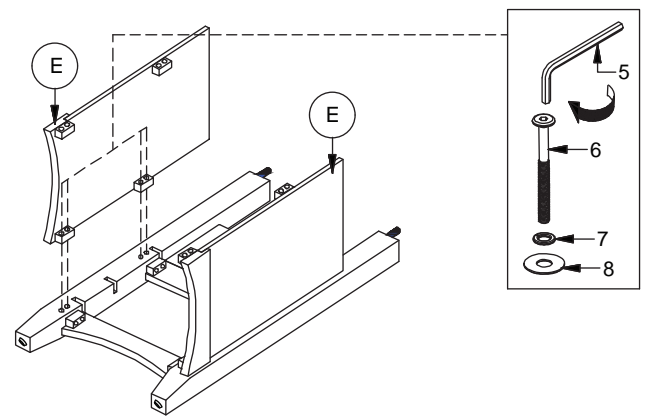
Thank you for purchasing this quality product. Be sure to check all packing material carefully for small parts which may have come loose inside the carton during shipment. Identify and count all parts and compare with the parts list below. Please keep all hardware out of reach of small children.

A  TABLE TOP 1PC	B  TABLE LEG 4PCS	C  DOOR 2PCS	D  BOTTOM RAIL 2PCS	E  SIDE PANEL 2PCS	F  T/B WINE BOARD 2PCS	G  MID WINE BOARD 1PC	H  MID WINE BOARD 2PCS
I  TOP PANEL 1PCS							
1  SPANNER 13MM 1PC	2  NUT M8 4PCS	3  SPRING WASHER M8 4PCS	4  FLAT WASHER M8 4PCS	5  ALLEN KEY M4 1PCS	6  JCBC BOLT M6X40 32PCS	7  SPRING WASHER M6 32PCS	8  FLAT WASHER M6 32PCS

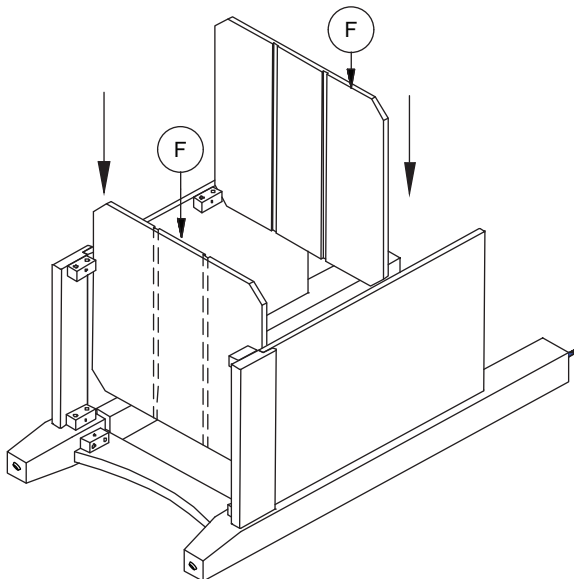
STEP 1



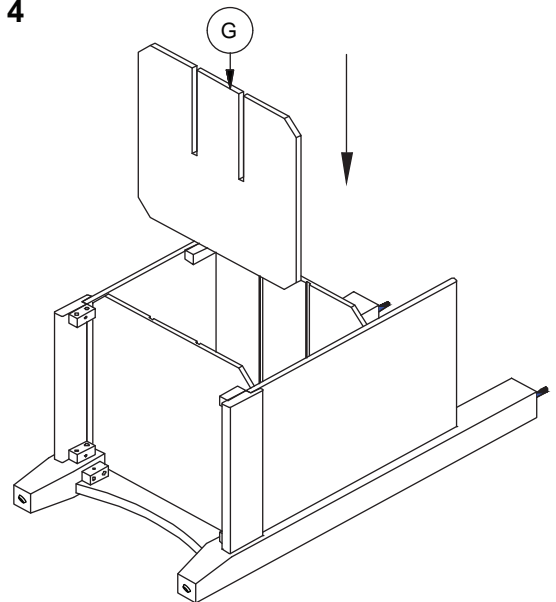
STEP 2



STEP 3



STEP 4

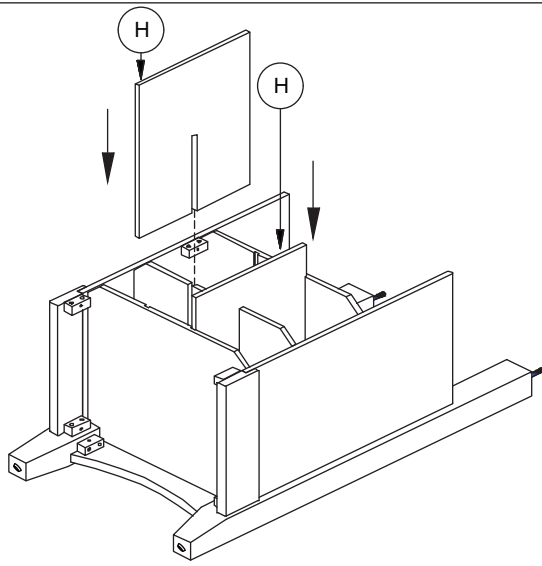
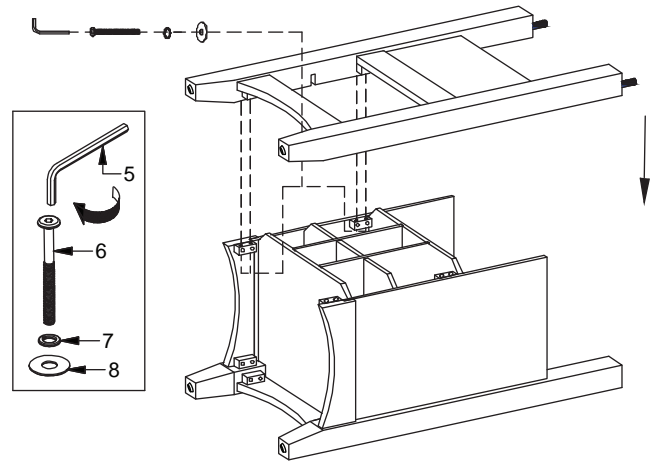
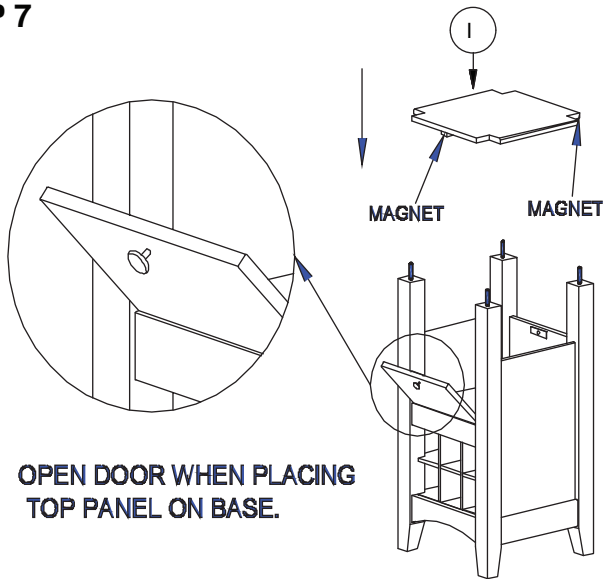
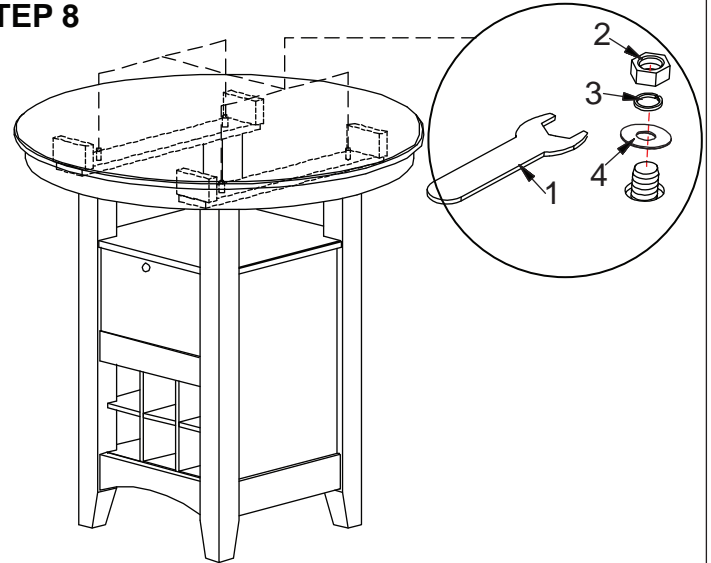


ASSEMBLY TIPS:

1. Remove hardware from box and sort by size.
2. Please check to see that all hardware and parts are present prior start of assembly.
3. Please follow attached instructions in the same sequence as numbered to assure fast and easy assembly.

⚠ WARNING!

1. Don't attempt to repair or modify parts that are broken or defective. Please contact the store immediately.
2. This product is for home use only and not intended for commercial establishments.

STEP 5**STEP 6****STEP 7****STEP 8****STEP 9****ASSEMBLY TIPS:**

1. Remove hardware from box and sort by size.
2. Please check to see that all hardware and parts are present prior start of assembly.
3. Please follow attached instructions in the same sequence as numbered to assure fast and easy assembly.

⚠ WARNING!

1. Don't attempt to repair or modify parts that are broken or defective. Please contact the store immediately.
2. This product is for home use only and not intended for commercial establishments.