




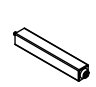
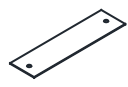




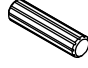
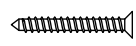



INTERCON
FURNITURE FOR LIFE

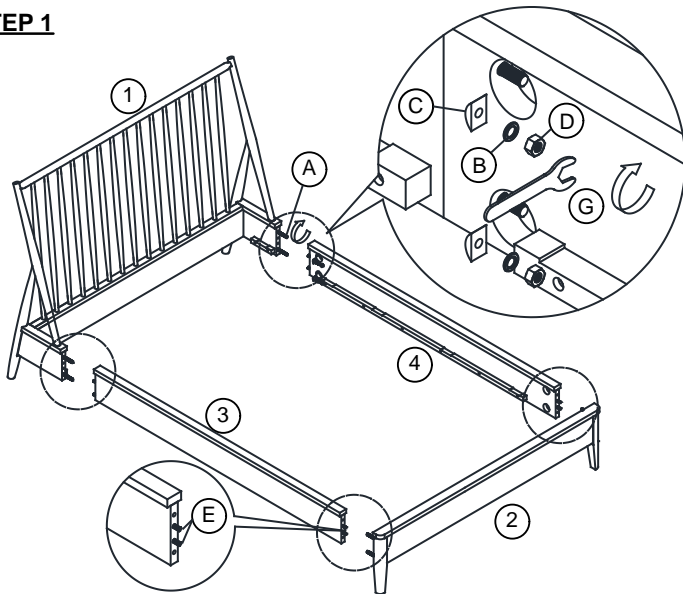
ASSEMBLY INSTRUCTION

DESCRIPTION: BAYSIDE SPINDLE QUEEN BED
ITEM NO: BY-BR-9860Q-WHT-HB / BY-BR-9860Q-BLK-HB
BY-BR-9860Q-WHT-FB / BY-BR-9860Q-BLK-FB
BY-BR-9860S-WHT-RS / BY-BR-9860S-BLK-RS

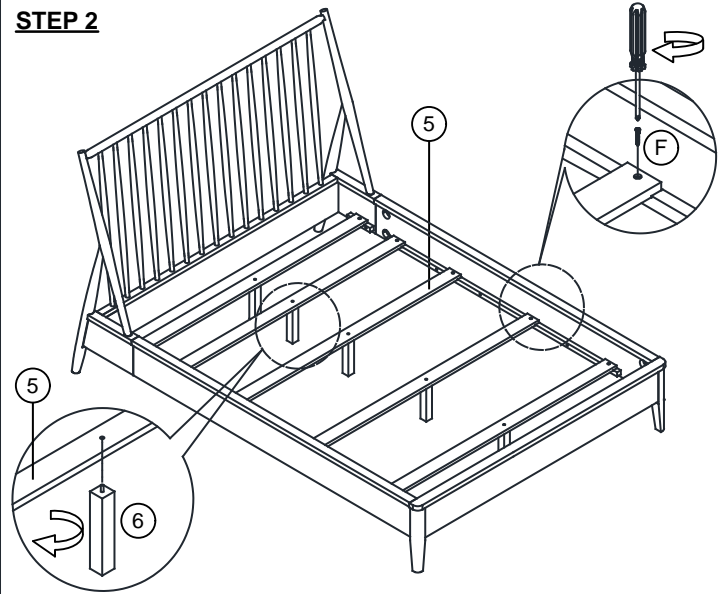
Thank you for purchasing this quality product. Be sure to check all packing material carefully for small parts which may have come loose inside the carton during shipment. Identify and count all parts and compare with the parts list below. Please keep all hardware out of reach of small children.

1  QUEEN SPINDLE HB 1 PC	2  QUEEN PANEL FOOTBOARD 1 PC	3  Q/K SIDE RAIL LEFT 1 PC	4  Q/K SIDE RAIL RIGHT 1 PC	5  SLAT 5 PCS	6  CENTER LEGS 5 PCS	7  DESKLING PANEL 4 PCS	
A  THREAD BOLT M8 x 90mm 8 PCS	B  SPRING WASHER M8 8 PCS	C  CURVE WASHER 8 PCS	D  HEX NUT M8 8 PCS	E  WOOD DOWEL 10 x 40 8 PCS	F  WOOD SCREW M4 x 30 10 PCS	G  WRENCH 1 PC	

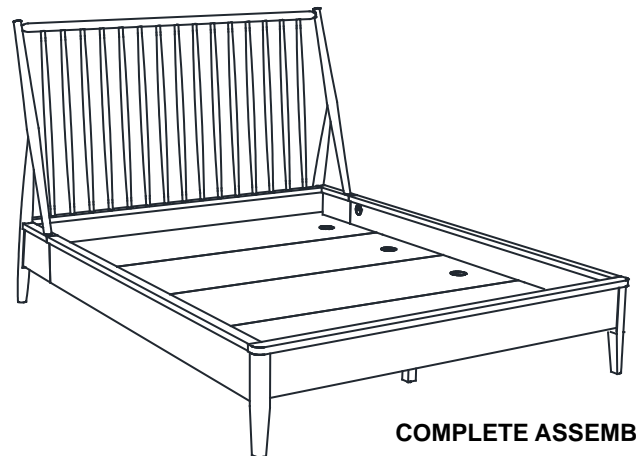
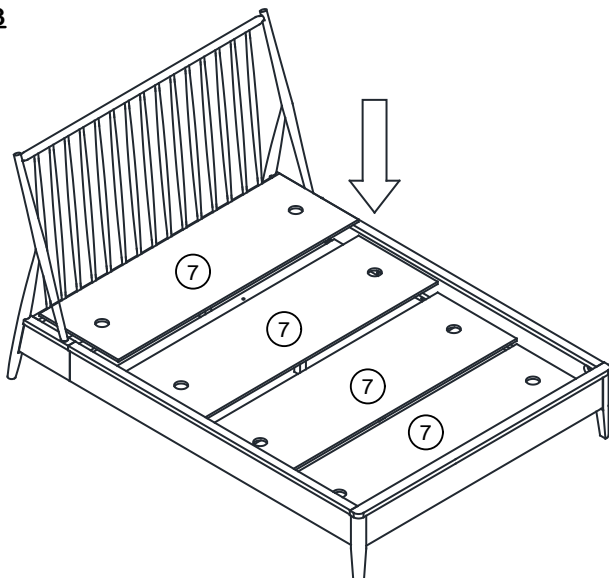
STEP 1



STEP 2



STEP 3



ASSEMBLY TIPS:

1. Remove hardware from box and sort by size.
2. Please check to see that all hardware and parts are present prior start of assembly.
3. Please follow attached instructions in the same sequence as numbered to assure fast and easy assembly.

⚠ WARNING!

1. Don't attempt to repair or modify parts that are broken or defective. Please contact the store immediately.
2. This product is for home use only and not intended for commercial establishments.