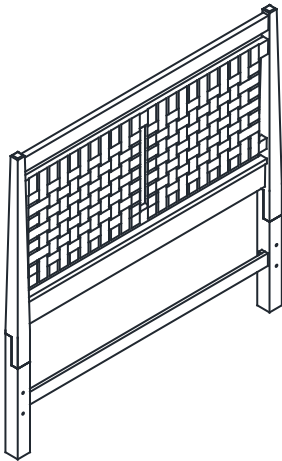


ASSEMBLY INSTRUCTIONS

OLSO- QUEEN / KING HEADBOARD

Thank you for purchasing this quality product. Be sure to check all packing material carefully for small parts that may have come loose inside the carton during shipment.

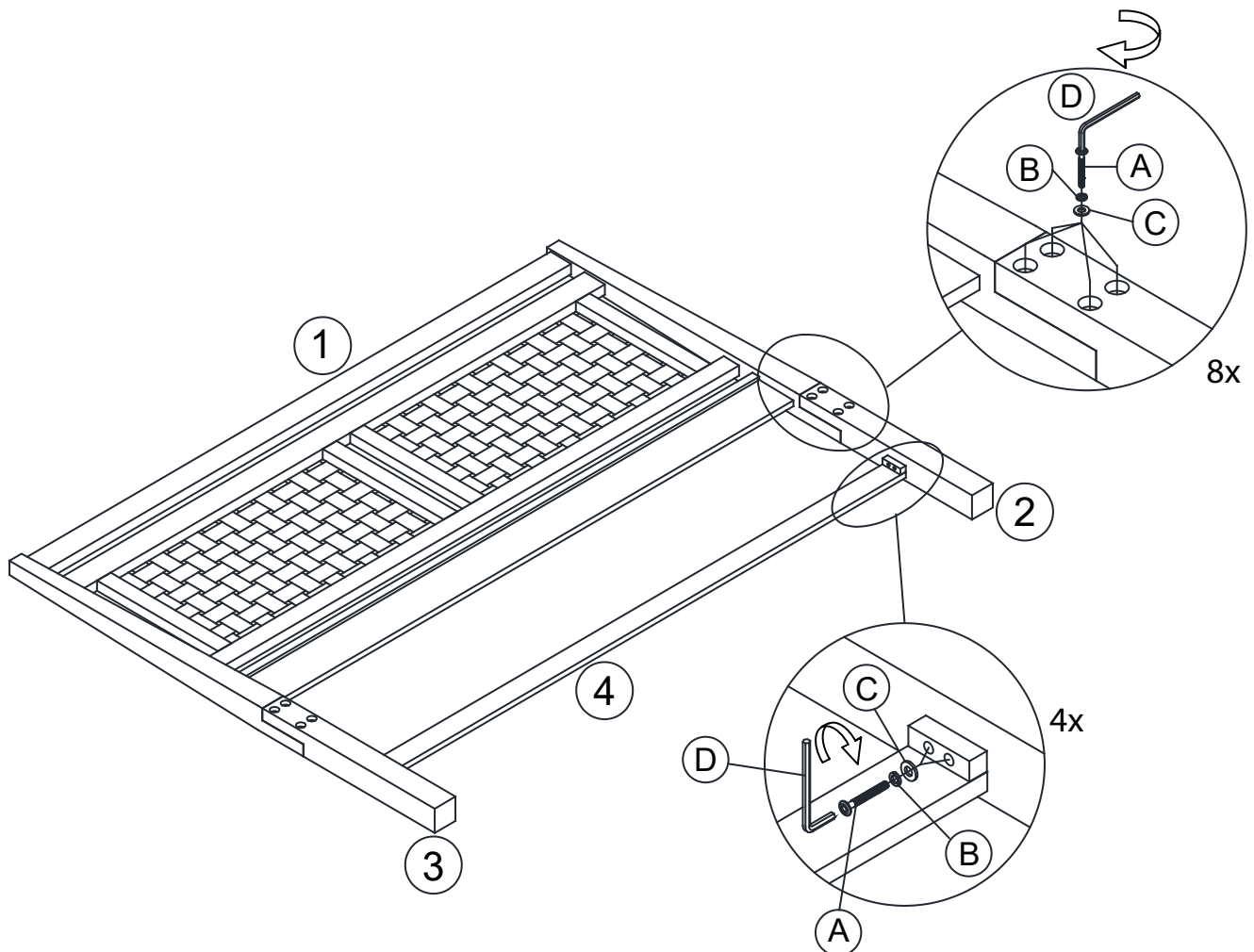


COMPLETE ASSEMBLY

PLACE WOOD PARTS ON A
CLEAN NON-ABRASIVE SURFACE

PART LIST			
NO	DESCRIPTION	SKETCH	QTY
1	HEADBOARD PANEL		1 PC
2	HEADBOARD LEG- LEFT		1 PC
3	HEADBOARD LEG- RIGHT		1 PC
4	KD LEGS SUPPORT RAIL		1 PC

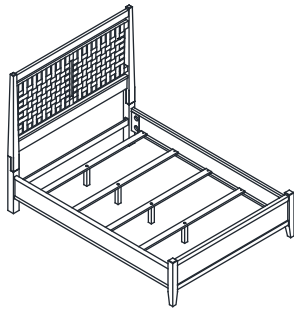
HARDWARE LIST			
NO	DESCRIPTION	SKETCH	QTY
A	JCBB BOLT 1/4" x 45MM		12 PCS
B	SPRING WASHER - 1/4"		12 PCS
C	FLAT WASHER - 1/4"		12 PCS
D	ALLEN KEY - M4		1 PC



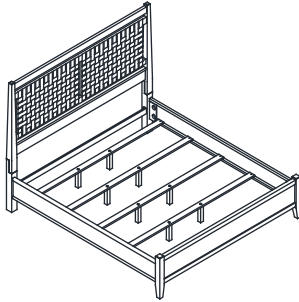
ASSEMBLY INSTRUCTIONS

OLSO-QUEEN / KING BED

Thank you for purchasing this quality product. Be sure to check all packing material carefully for small parts that may have come loose inside the carton during shipment.



QUEEN BED



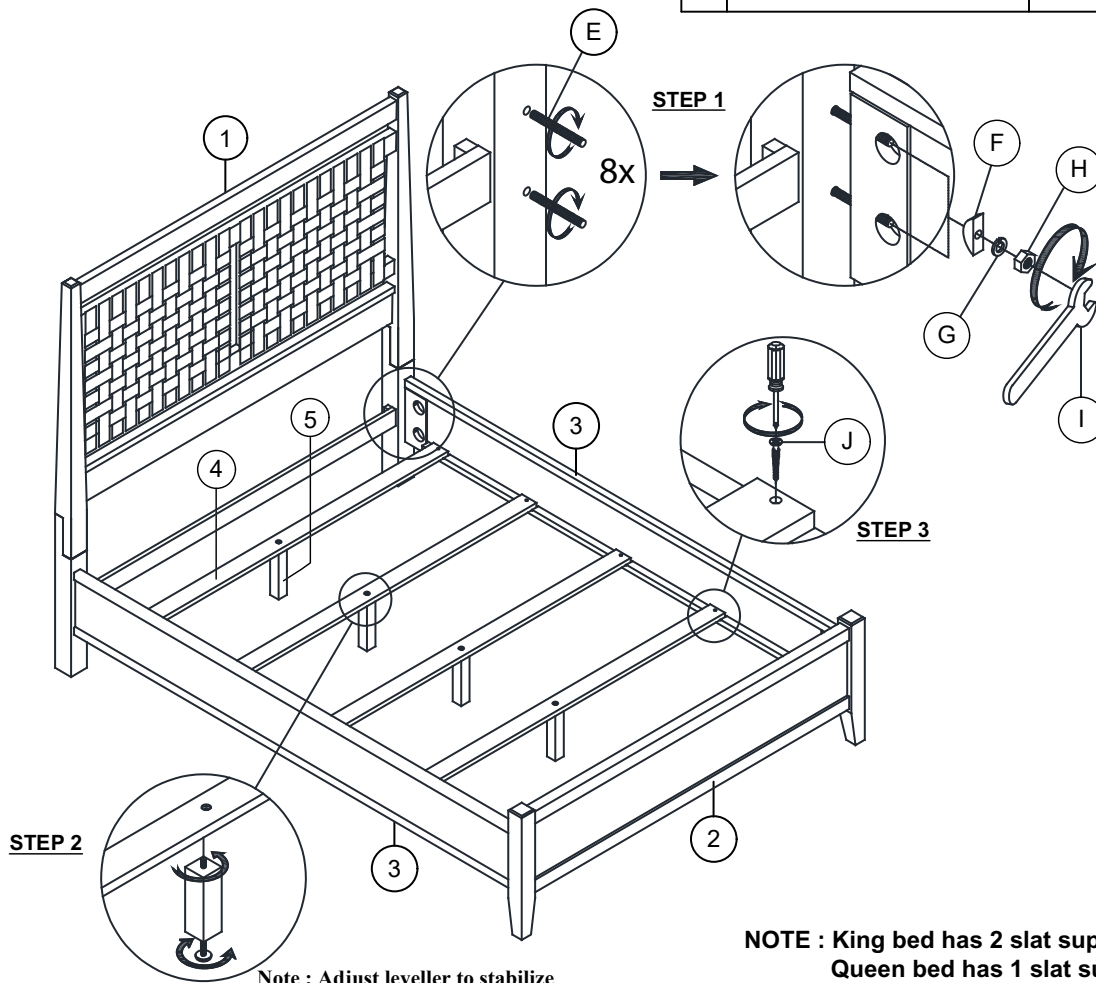
KING BED

COMPLETE ASSEMBLY

PLACE WOOD PARTS ON A CLEAN NON-ABRASIVE SURFACE

PART LIST			
NO	DESCRIPTION	SKETCH	QTY
1	HEADBOARD		1 PC
2	FOOTBOARD		1 PC
3	SIDE RAIL		2 PCS
4	SLAT		5 PCS
5	SLAT SUPPORT		5 PCS (QN) 10 PCS (KG)

HARDWARE LIST			
NO	DESCRIPTION	SKETCH	QTY
E	BOLT - 5/16" x 90mm		8 PCS
F	CURVED WASHER		8 PCS
G	SPRING WASHER - 5/16"		8 PCS
H	HEX NUT - 5/16"		8 PCS
I	WRENCH		1 PC
J	WOOD SCREW - 8 x 30		10 PCS



NOTE : King bed has 2 slat support per slat.
Queen bed has 1 slat support per slat.