

# ASSEMBLY INSTRUCTIONS

## OLSO- NIGHTSTAND, 2 DRAWER

Thank you for purchasing this quality product. Be sure to check all packing material carefully for small parts that may have come loose inside the carton during shipment.

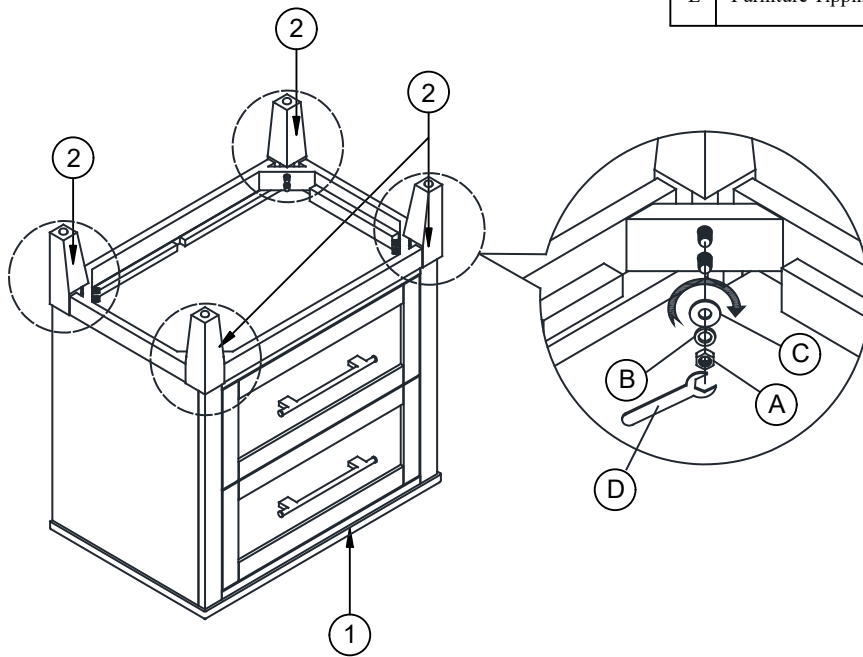


**COMPLETE ASSEMBLY**

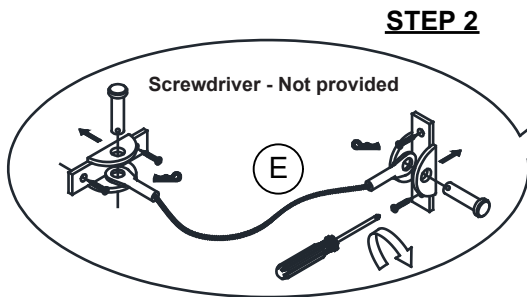
PLACE WOOD PARTS ON A CLEAN NON-ABRASIVE SURFACE

PART LIST			
NO	DESCRIPTION	SKETCH	QTY
1	NIGHTSTAND		1 PC
2	LEGS		4 PCS

HARDWARE LIST			
NO	DESCRIPTION	SKETCH	QTY
A	HEX NUT - 5/16"		8 PCS
B	SPRING WASHER - 5/16"		8 PCS
C	FLAT WASHER - 5/16"		8 PCS
D	WRENCH		1 PC
E	Furniture Tipping Restraint		1 SET

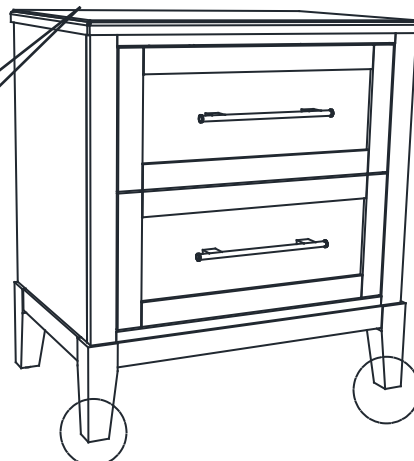


**STEP 1**



**STEP 2**

"SUGGEST POSITIONING THE TIPPING STRAP AS CLOSE AS POSSIBLE TO THE TOP CENTER BACK OF THE CASE"  
 "REFER TO TIPPING KIT MANUFACTURER'S INSTRUCTIONS FOR ATTACHMENT"



Note : Adjust leveler to stabilize