

# ASSEMBLY INSTRUCTIONS

## OLSO- GENTLEMAN'S CHEST, 4 DRAWER

Thank you for purchasing this quality product. Be sure to check all packing material carefully for small parts that may have come loose inside the carton during shipment.

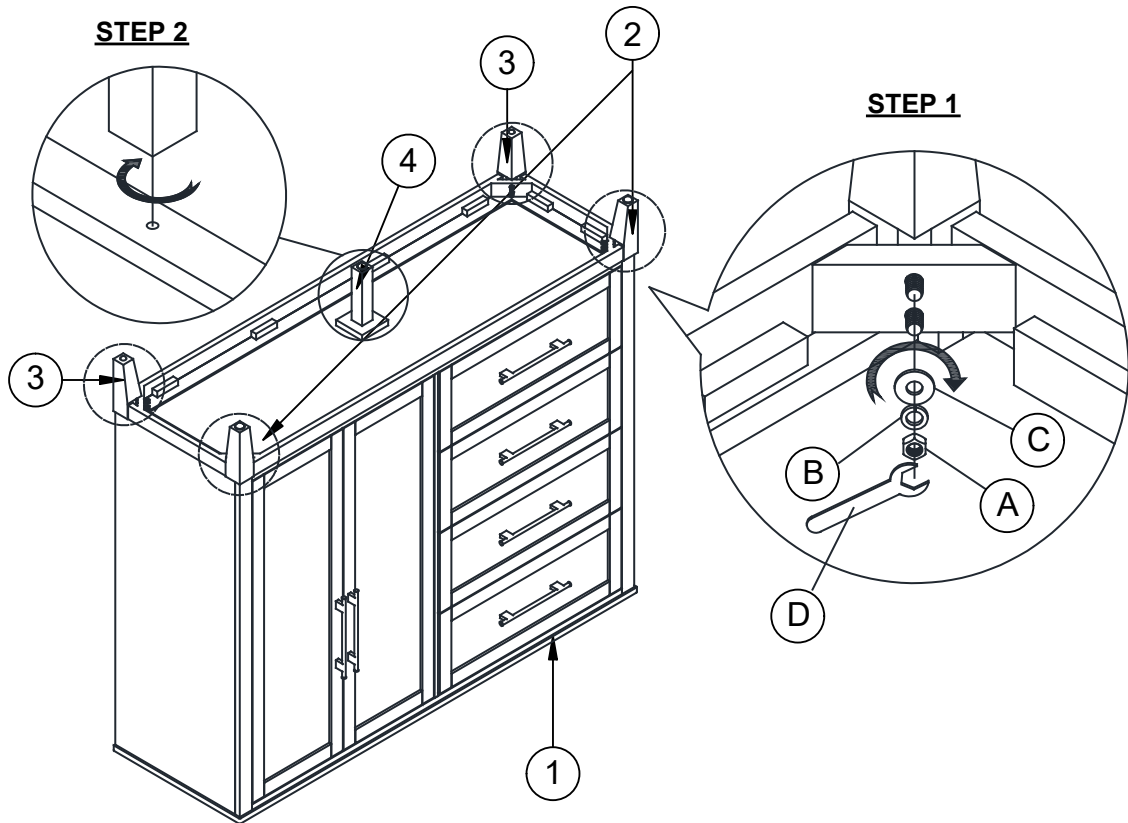


**COMPLETE ASSEMBLY**

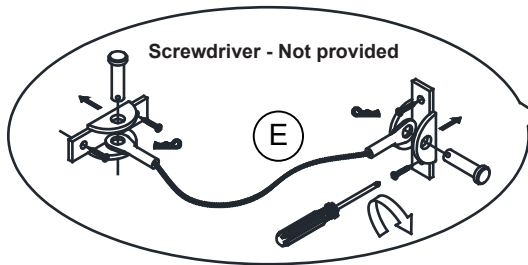
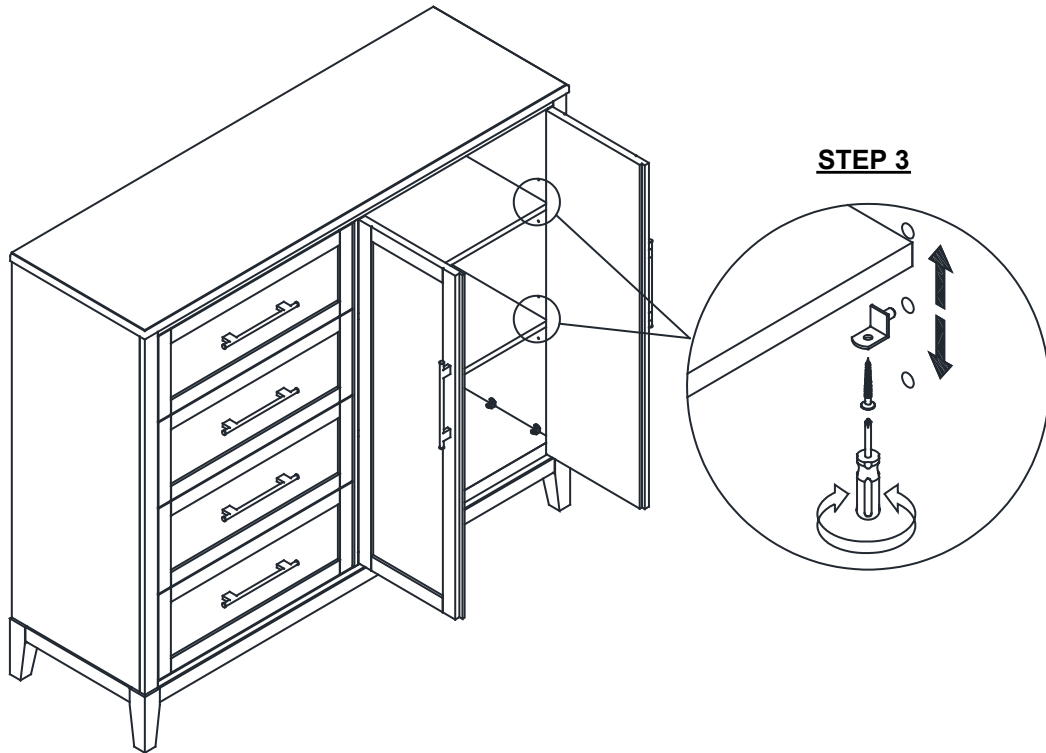
PLACE WOOD PARTS ON A  
CLEAN NON-ABRASIVE SURFACE

PART LIST			
NO	DESCRIPTION	SKETCH	QTY
1	GENTLEMAN'S CHEST		1 PC
2	FRONT LEGS		2 PCS
3	BACK LEGS		2 PCS
3	CENTER LEG		1 PC

HARDWARE LIST			
NO	DESCRIPTION	SKETCH	QTY
A	HEX NUT 5/16"		8 PCS
B	SPRING WASHER - 5/16"		8 PCS
C	FLAT WASHER - 5/16"		8 PCS
D	WRENCH		1 PC
E	Furniture Tipping Restraint		1 SET



Thank you for purchasing this quality product. Be sure to check all packing material carefully for small parts that may have come loose inside the carton during shipment.



"SUGGEST POSITIONING THE TIPPING STRAP AS CLOSE AS POSSIBLE TO THE TOP CENTER BACK OF THE CASE"  
"REFER TO TIPPING KIT MANUFACTURER'S INSTRUCTIONS FOR ATTACHMENT"

