

ASSEMBLY INSTRUCTIONS

OLSO- DRESSER, 6 DRAWER

Thank you for purchasing this quality product. Be sure to check all packing material carefully for small parts that may have come loose inside the carton during shipment.



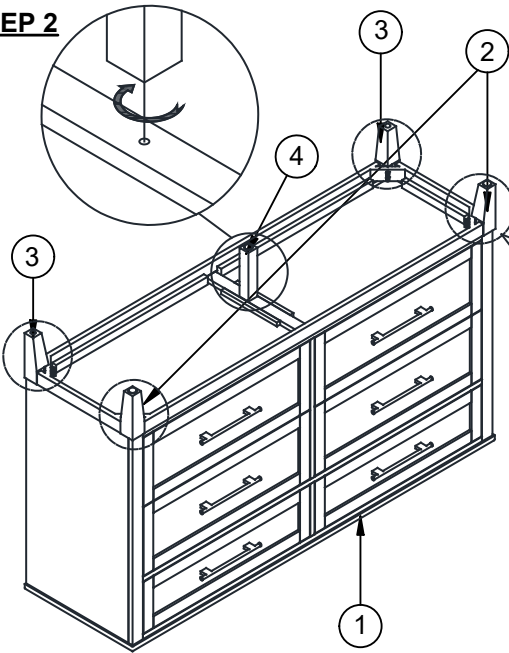
COMPLETE ASSEMBLY

PLACE WOOD PARTS ON A CLEAN NON-ABRASIVE SURFACE

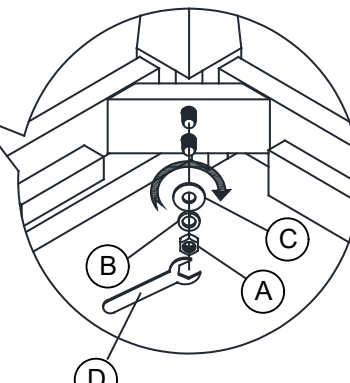
PART LIST			
NO	DESCRIPTION	SKETCH	QTY
1	DRESSER		1 PC
2	FRONT LEGS		2 PCS
3	BACK LEGS		2 PCS
4	CENTER LEG		1 PC

HARDWARE LIST			
NO	DESCRIPTION	SKETCH	QTY
A	HEX NUT 5/16"		8 PCS
B	SPRING WASHER - 5/16"		8 PCS
C	FLAT WASHER - 5/16"		8 PCS
D	WRENCH		1 PC
E	Furniture Tipping Restraint		1 SET

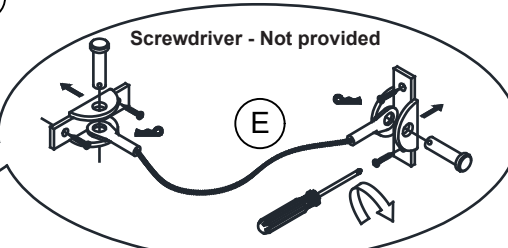
STEP 2



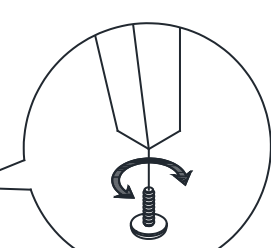
STEP 1



STEP 3



"SUGGEST POSITIONING THE TIPPING STRAP AS CLOSE AS POSSIBLE TO THE TOP CENTER BACK OF THE CASE"
 "REFER TO TIPPING KIT MANUFACTURER'S INSTRUCTIONS FOR ATTACHMENT"



Note - Adjust leveler to stabilize