



**INTERCON**  
FURNITURE FOR LIFE

# ASSEMBLY INSTRUCTION

DESCRIPTION: Queen Bed With Storage Rail

ITEM NO: TR-BR-3665Q-DWS-HB

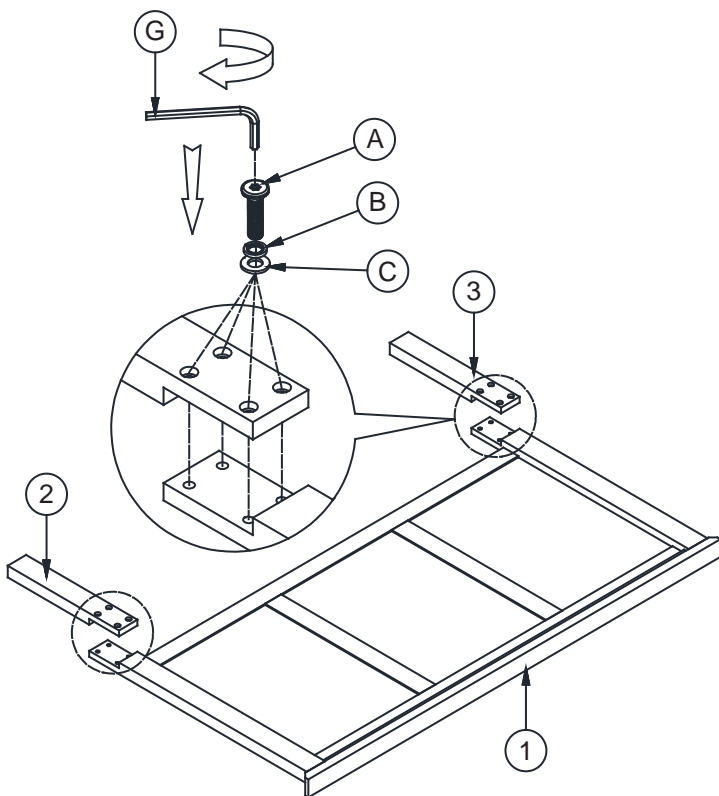
TR-BR-3665Q-DWS-FB

TR-BR-3665QS-DWS-RS

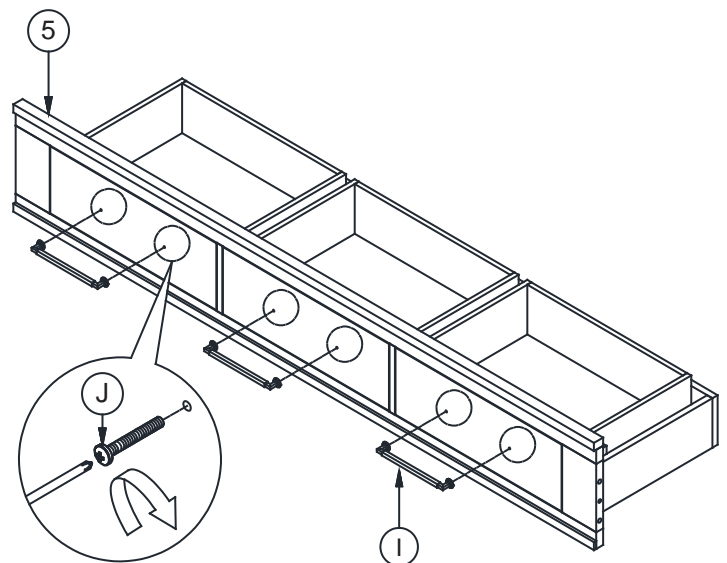
Thank you for purchasing this quality product. Be sure to check all packing material carefully for small parts which may have come loose inside the carton during shipment. Identify and count all parts and compare with the parts list below. Please keep all hardware out of reach of small children.

1  Queen Panel HB 1 PC	2  KD- Legs Left 1 PC	3  KD- Legs Right 1 PC	4  Queen Panel FB 1 PC	5  Queen Storage Rail 2 Pcs	6  Storage Support Leg 4 Pcs	7  Slat 5 Pcs	8  Long Center Legs 5 Pcs
9  Short Center Legs 5 Pcs	10  Desking Panel 4 Pcs		A  Allen Bolt M8 x 30mm 16 Pcs	B  Spring Washer M8 16 Pcs	C  Flat Washer M8 x 16mm 16 Pcs	D  Bolt M8 x 70mm 8 Pcs	E  Curve Washer 8 Pcs
F  Hex Nut M8 8 Pcs	G  Allen Key 1 PC	H  Spanner 1 PC	I  Handle 6 Pcs	J  Handle Screw 12 Pcs	K  Wood Screw M4 x 30mm 10 Pcs	L  Wood Dowel 10 x 40mm 4 Pcs	 Screwdriver Not Provider

## Step 1



## Step 2



### ASSEMBLY TIPS:

1. Remove hardware from box and sort by size.
2. Please check to see that all hardware and parts are present prior start of assembly.
3. Please follow attached instructions in the same sequence as numbered to assure fast and easy assembly.

### ⚠ WARNING!

1. Don't attempt to repair or modify parts that are broken or defective. Please contact the store immediately.
2. This product is for home use only and not intended for commercial establishments.

# ASSEMBLY INSTRUCTION

DESCRIPTION: Queen Bed With Storage Rail

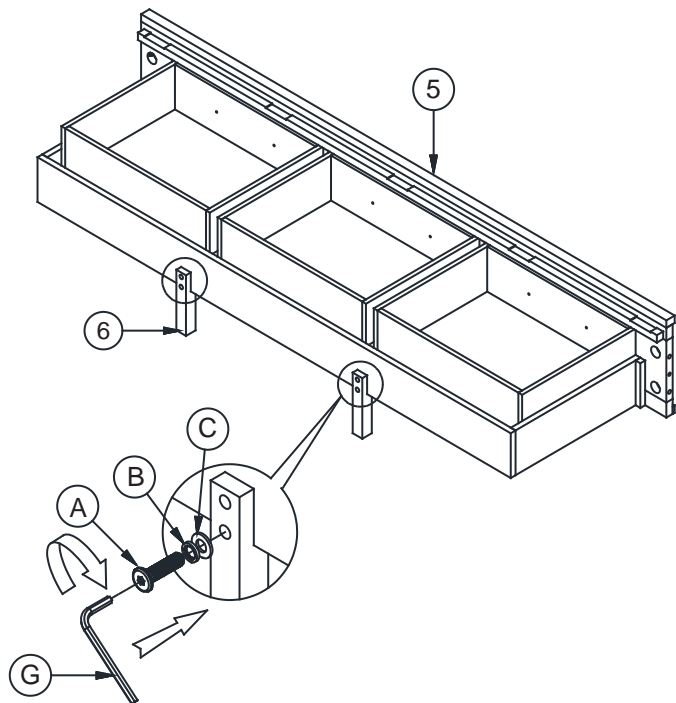
ITEM NO: TR-BR-3665Q-DWS-HB

TR-BR-3665Q-DWS-FB

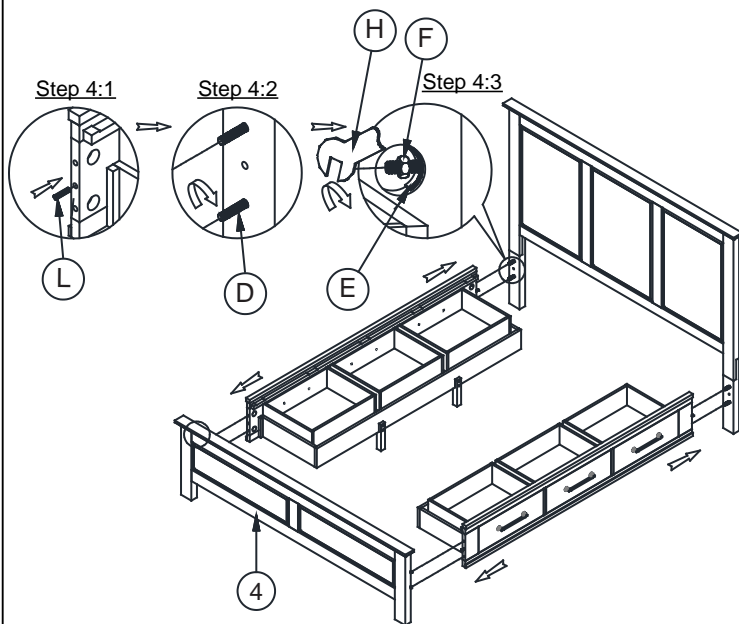
TR-BR-3665QS-DWS-RS

Thank you for purchasing this quality product. Be sure to check all packing material carefully for small parts which may have come loose inside the carton during shipment. Identify and count all parts and compare with the parts list below. Please keep all hardware out of reach of small children.

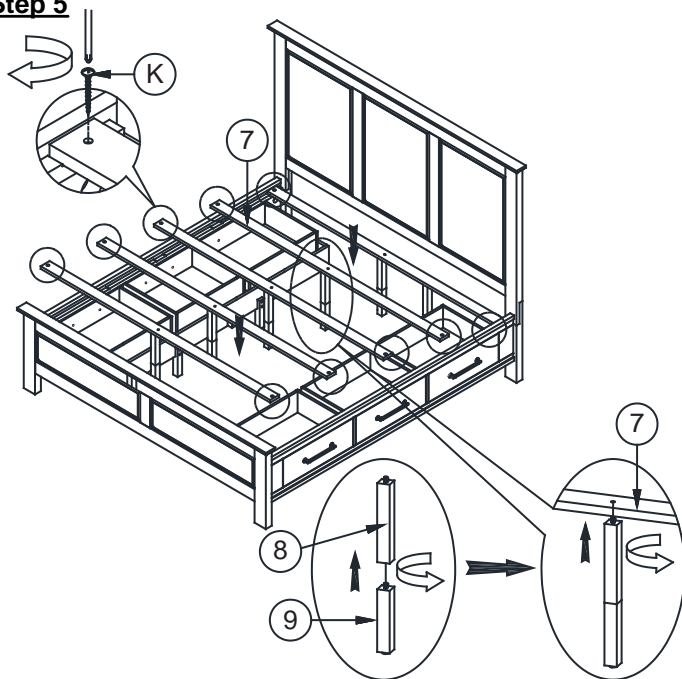
## Step 3



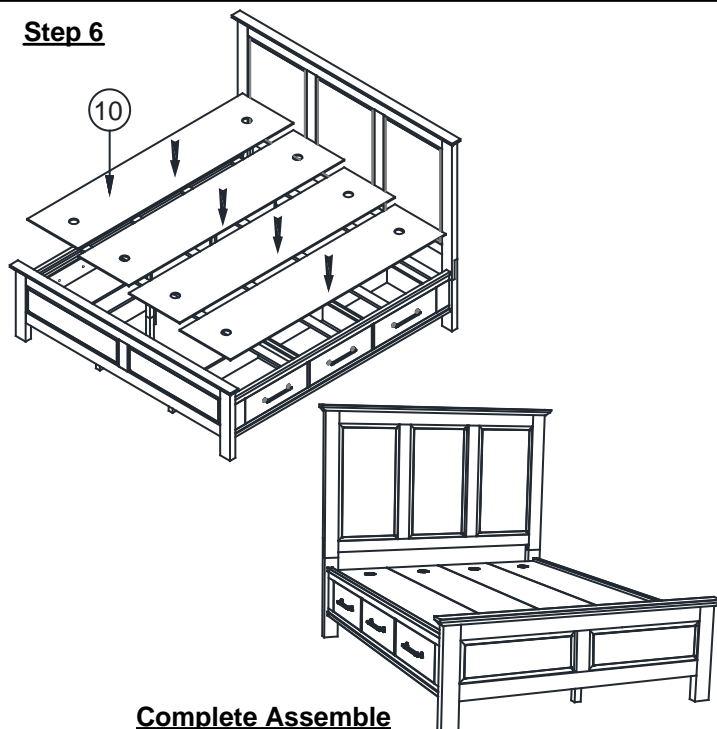
## Step 4



## Step 5



## Step 6



**Complete Assemble**

### ASSEMBLY TIPS:

1. Remove hardware from box and sort by size.
2. Please check to see that all hardware and parts are present prior start of assembly.
3. Please follow attached instructions in the same sequence as numbered to assure fast and easy assembly.

### ⚠ WARNING!

1. Don't attempt to repair or modify parts that are broken or defective. Please contact the store immediately.
2. This product is for home use only and not intended for commercial establishments.