



INTERCON
FURNITURE FOR LIFE

ASSEMBLY INSTRUCTION

DESCRIPTION: **CODY POWER RECLINER SECTIONAL**

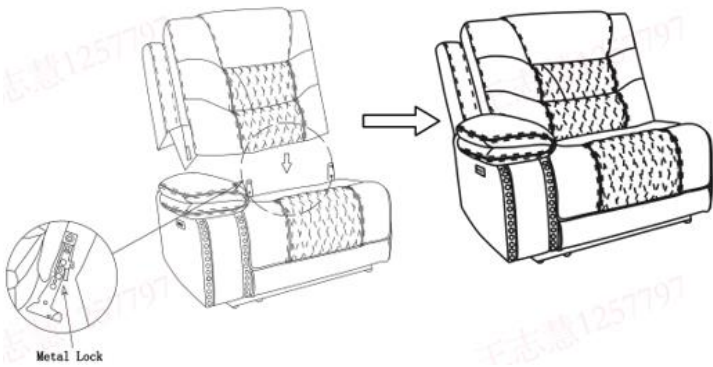
GROUP WITH **USB**

Thank you for purchasing this quality product. Be sure to check all packing material carefully for small parts which may have come loose inside the carton during shipment. Identify and count all parts and compare with the parts list below. Please keep all hardware out of reach of small children.

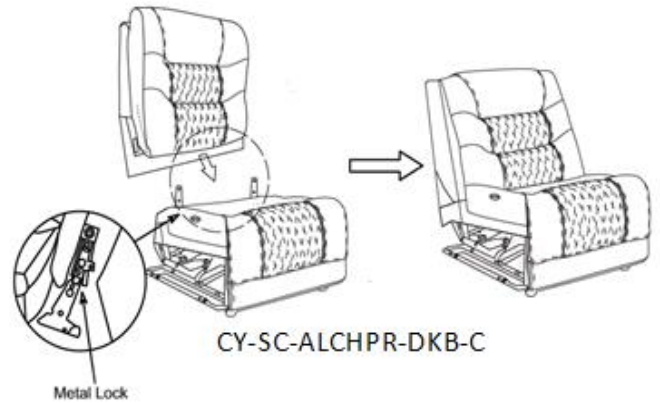
NOTE: Do not use power tools for assembly. Power tools increase the risk of over tightening which lead to splitting or cracking the wood.

Please follow the drawings below to assemble the item:

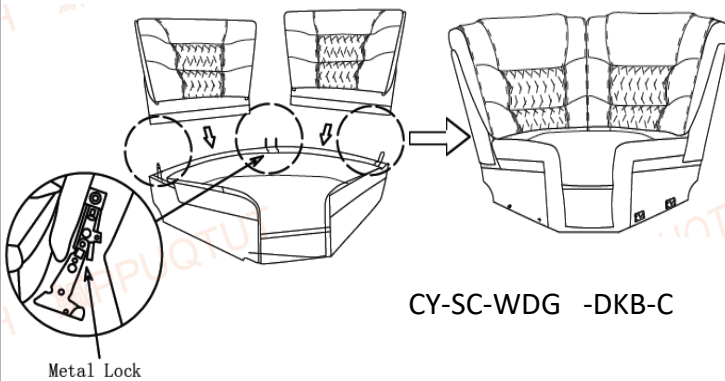
Step 1. Insert backrests to the seat and make sure all backrests are secured in position.



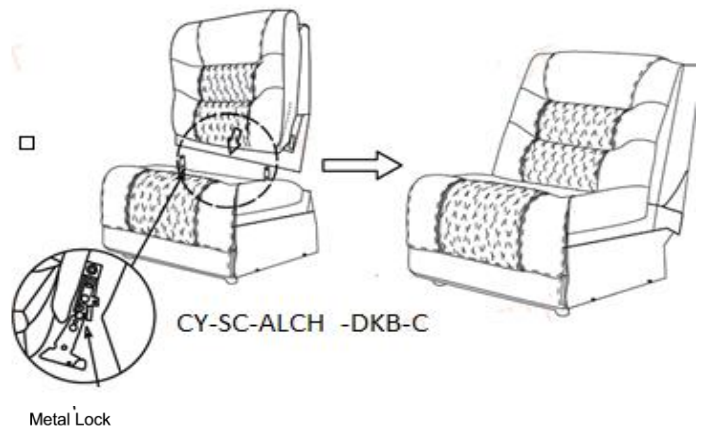
CY-SC-LAFPR -DKB-C



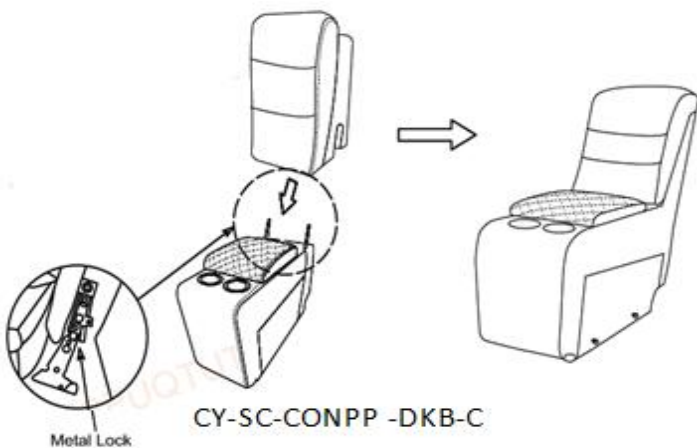
CY-SC-ALCHPR-DKB-C



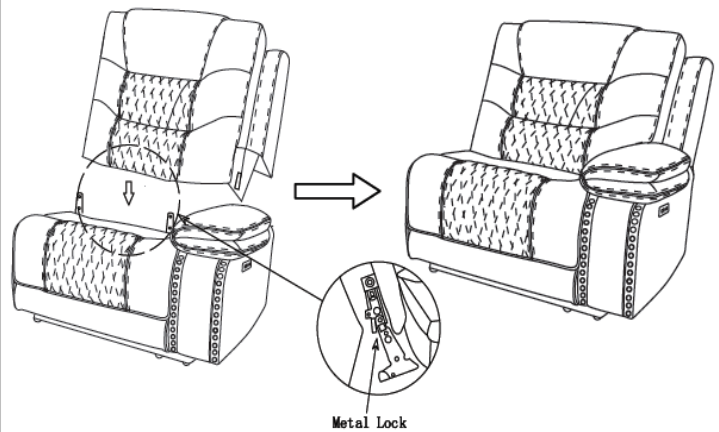
CY-SC-WDG -DKB-C



CY-SC-ALCH -DKB-C



CY-SC-CONPP -DKB-C



CY-SC-RAFPR -DKB-C

CARE INSTRUCTION FOR LEATHER / FABRIC FURNITURE:

- Avoid exposing furniture directly with sunlight and air conditioning outlets.
- Exposure to sunlight or heating and air conditioning outlets will fade/damage leather / fabric.
- Wipe gently with a damp soft cloth to remove dust, dirt and any buildup.
- Wipe the leather with professional cleanser.



INTERCON
FURNITURE FOR LIFE

ASSEMBLY INSTRUCTION

DESCRIPTION: CODY POWER RECLINER SECTIONAL GROUP WITH USB

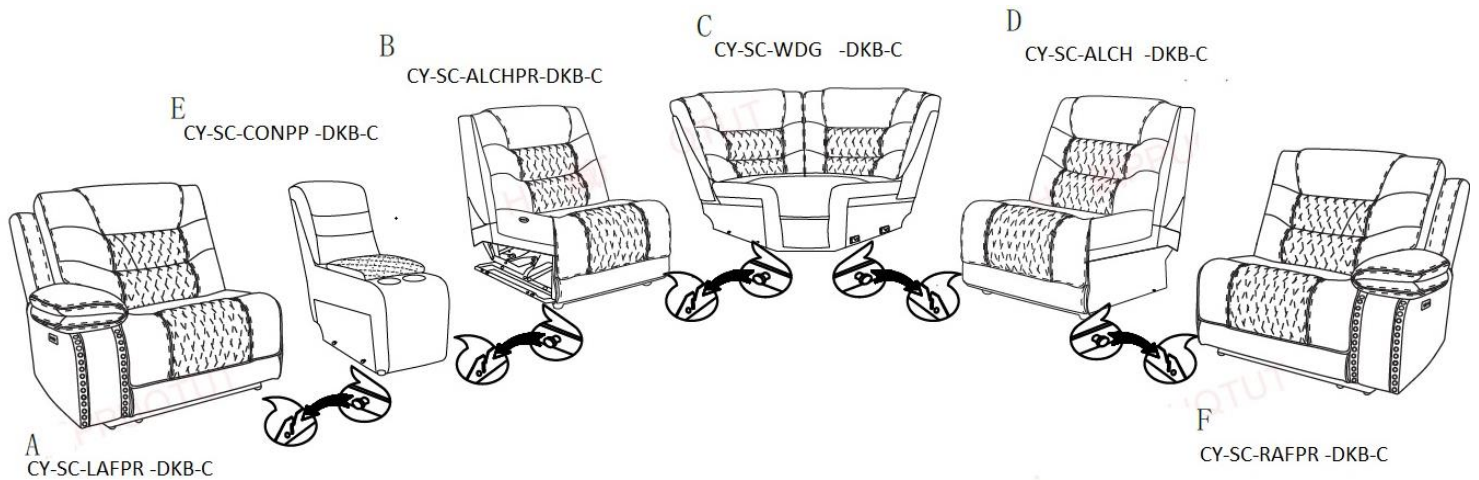
Thank you for purchasing this quality product. Be sure to check all packing material carefully for small parts which may have come loose inside the carton during shipment. Identify and count all parts and compare with the parts list below. Please keep all hardware out of reach of small children.

NOTE: Do not use power tools for assembly. Power tools increase the risk of over tightening which lead to splitting or cracking the wood.

| | | | | | |
|-------------------------------------|---------------------------------|-----------------------------------|------------------------------------|-------------------------------------|-------------------------------------|
| <p>A CY-SC-LAFPR-DKB-C (x1)</p> | <p>B CY-SC-ALCHPR-DKB-C</p> | <p>C RS-SC-WDG-BRW-C (x1)</p> | <p>D RS-SC-ALCH-BRW-C (x1)</p> | <p>E RS-SC-CONPP-BRW-C (x1)</p> | <p>F RS-SC-RAFPR-BRW-C (x1)</p> |
|-------------------------------------|---------------------------------|-----------------------------------|------------------------------------|-------------------------------------|-------------------------------------|

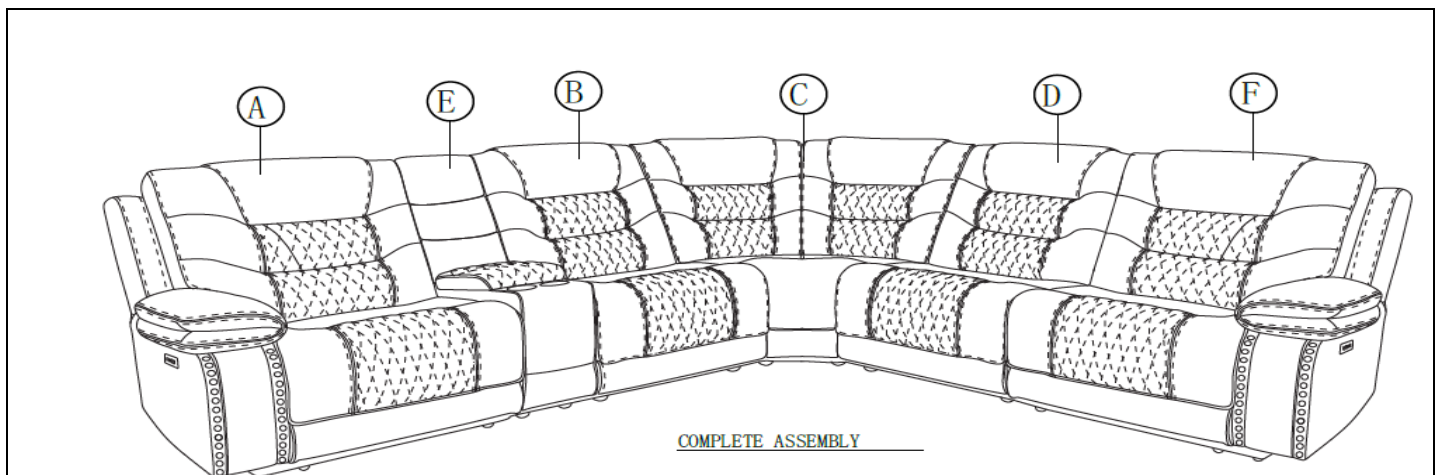
Please follow the drawings below to assemble the item:

Step 2. Connect all the parts of sofa together as picture below:



Step 3. SECTIONAL ASSEMBLY INSTRUCTIONS:

To connect your sectional pieces start with the piece on the left side when facing the sectional (#A). Hook the pins of the piece you want next to it into the slots on the bottom of item #A, continue connecting the remaining sectional pieces in order. You can configure the pieces many ways. To disconnect, go in the reverse direction, in the drawing below you would begin with #F.

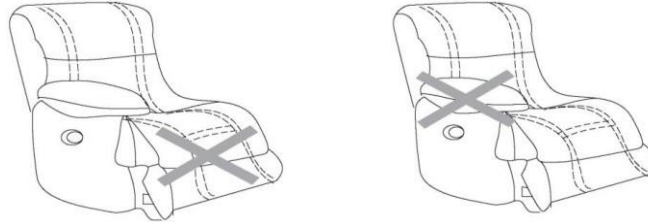


CARE INSTRUCTION FOR LEATHER / FABRIC FURNITURE:

- Avoid exposing furniture directly with sunlight or heating and air conditioning outlets.
- Exposure to sunlight or heating and air conditioning outlets will fade/damage leather / fabric.
- Wipe gently with a damp soft cloth to remove dust, dirt and any buildup.
- Wipe the leather with professional cleanser.

WARNINGS

Do not use the footrest as a seat or have anyone, regardless of their size, sit on the footrest. This will cause damage to the reclining mechanism. Do not sit on the arm of your sofa. This will bend the mechanism and cause damage to the reclining mechanism



POWER MECHANISMS:

Never put the excess power cord up inside of your recliner. There is a risk that the mechanism will cut the power cord.
The power mechanism will not close or open when the power is off.

RECOMMENDED LEATHER CARE:

While our leather pieces are extremely durable, they still require protection and care to ensure years of enjoyment.

If necessary, clean immediately with lukewarm distilled or purified water on a soft clean towel. Always try to clean in a small hidden area first.

Blot spills immediately with a clean cloth or sponge and let air dry. Never use a hair dryer.

Wipe off leather periodically with a soft cloth.

For regular cleaning, vacuum frequently using the soft brush attachment.

For oil, grease, or stubborn stains consult a Professional Leather Care company.

Do not use bleach, oily substance or strong detergent (including laundry detergents).

Keep ink, fluids, body oils, chemicals and sharp objects away from upholstery.

Exposure of leather to sunlight or extreme light sources may cause fading and damage.

Professional Cleaning is recommended.

RECOMMENDED FABRIC CARE:

Cleaning Code W: water based

Spot clean only with water based upholstery shampoo or foam upholstery cleaner. Do not over wet.

Do not use solvents or bleach to spot clean.

Exposure of fabric to sunlight or extreme light sources may cause fading and damage.

Keep ink, fluids, body oils, chemicals and sharp objects away from upholstery.

Blot spills immediately with a clean cloth or sponge and let air dry. Never use a hair dryer.

For regular cleaning, vacuum frequently using the soft brush attachment

Professional Cleaning is recommended.