



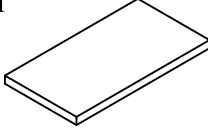
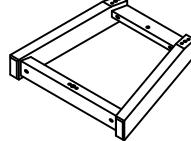
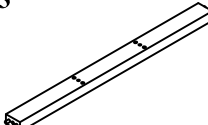
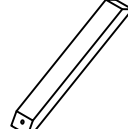

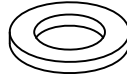


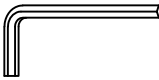
INTERCON
FURNITURE FOR LIFE

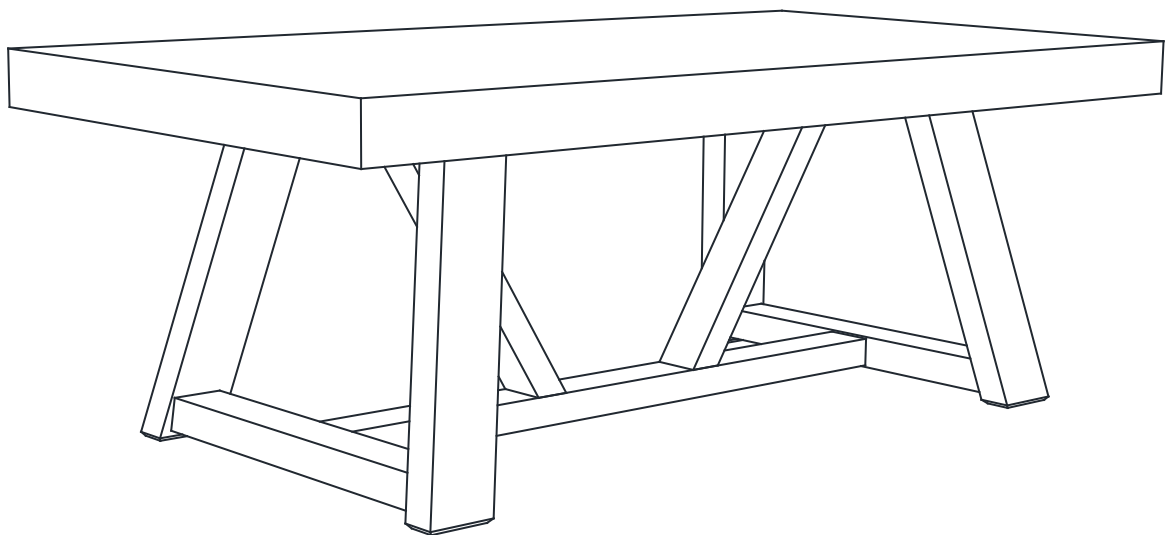
ASSEMBLY INSTRUCTIONS

DESCRIP: 52" x 28" COFFEE TABLE

ITEM: HR-TA-5228-RCV-C

Thank you for purchasing this quality product. Be sure to check all packing material carefully for small parts which may have come loose inside the carton during shipment. Identify and count all parts and compare with the parts list below. Please keep all hardware out of reach of small children.

<p>1</p>  <p>TABLE TOP (x1)</p>	<p>2</p>  <p>LEGS (x2)</p>	<p>3</p>  <p>MIDDLE STRETCHER (x1)</p>	<p>4</p>  <p>TRESTLE BAR (x2)</p>		
<p>A</p>  <p>FLAT WASHER Ø5/16" x Ø19mm (x14)</p>	<p>B</p>  <p>SMALL FLAT WASHER Ø5/16" x Ø14mm (x14)</p>	<p>C</p>  <p>SHORT BOLT Ø5/16" x 57 (x6)</p>	<p>D</p>  <p>LONG BOLT Ø5/16" x 105 (x8)</p>	<p>E</p>  <p>ALLEN KEY 58 x 23 x 4mm (x1)</p>	



COMPLETE ASSEMBLE

ASSEMBLY TIPS:

- 1.Remove hardware from box and sort by size.
- 2.Please check to see that all hardware and parts are present prior start of assembly.
- 3.Please follow attached instructions in the same sequence as numbered to assure fast and easy assembly.

⚠ WARNING

- 1.Don't attempt to repair or modify parts that are broken or defective. Please contact the store immediately.
- 2.This product is for home use only and not intended for commercial establishments.



INTERCON
FURNITURE FOR LIFE

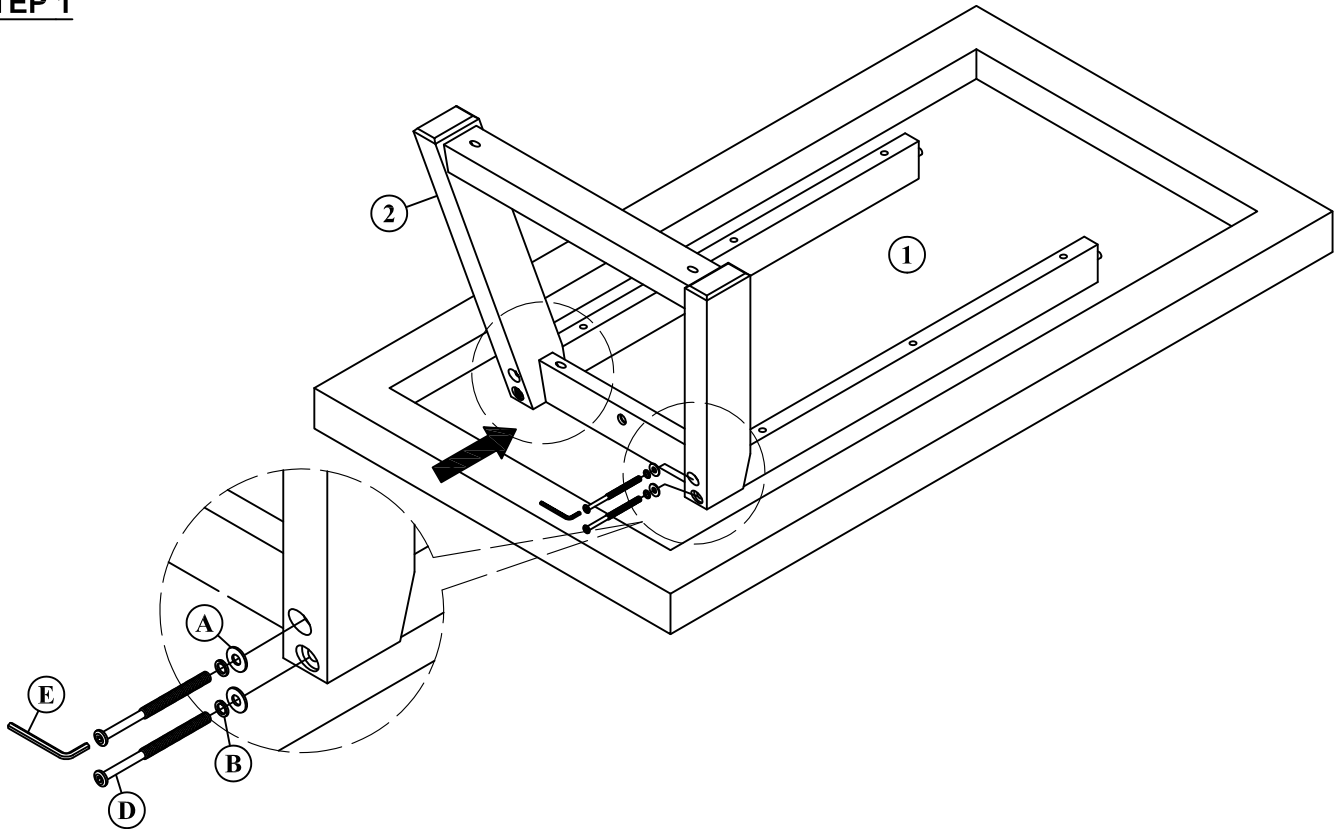
ASSEMBLY INSTRUCTIONS

DESCRIP: 52" x 28" COFFEE TABLE

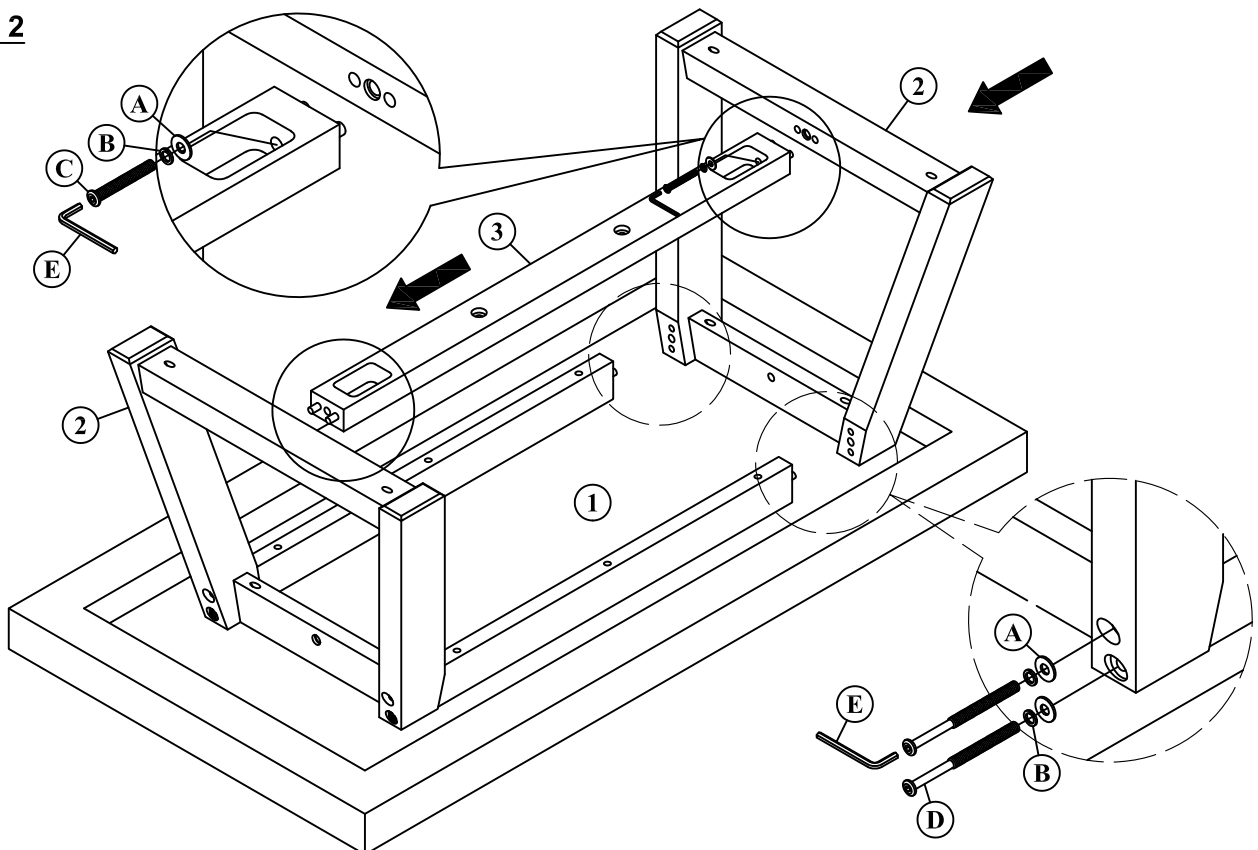
ITEM: HR-TA-5228-RCV-C

Thank you for purchasing this quality product. Be sure to check all packing material carefully for small parts which may have come loose inside the carton during shipment. Identify and count all parts and compare with the parts list below. Please keep all hardware out of reach of small children.

STEP 1



STEP 2





INTERCON
FURNITURE FOR LIFE

ASSEMBLY INSTRUCTIONS

DESCRIP: 52" x 28" COFFEE TABLE

ITEM: HR-TA-5228-RCV-C

Thank you for purchasing this quality product. Be sure to check all packing material carefully for small parts which may have come loose inside the carton during shipment. Identify and count all parts and compare with the parts list below. Please keep all hardware out of reach of small children.

STEP 3

