



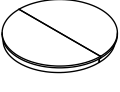
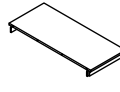
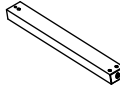
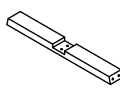
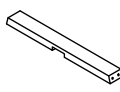
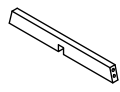
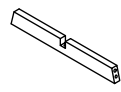
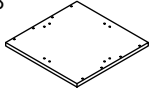






INTERCON
FURNITURE FOR LIFE

ASSEMBLY INSTRUCTION

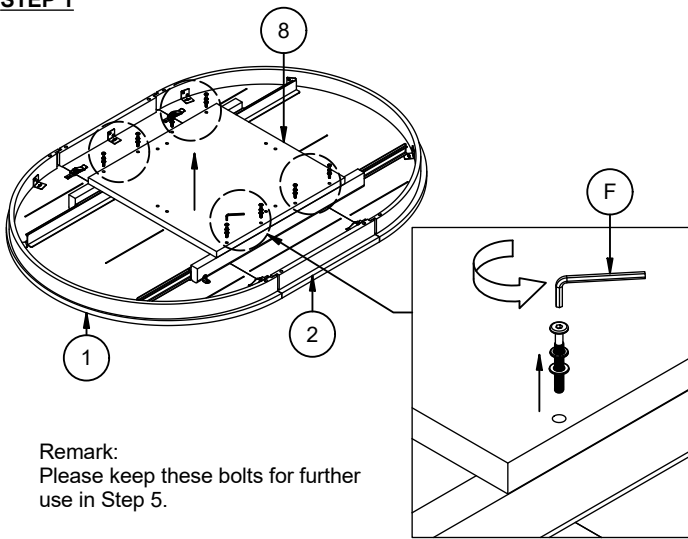
DESCRIPTION: Table, 42x42-60 Round Dining

ITEM NO: HP-TA-4260-BBP-C

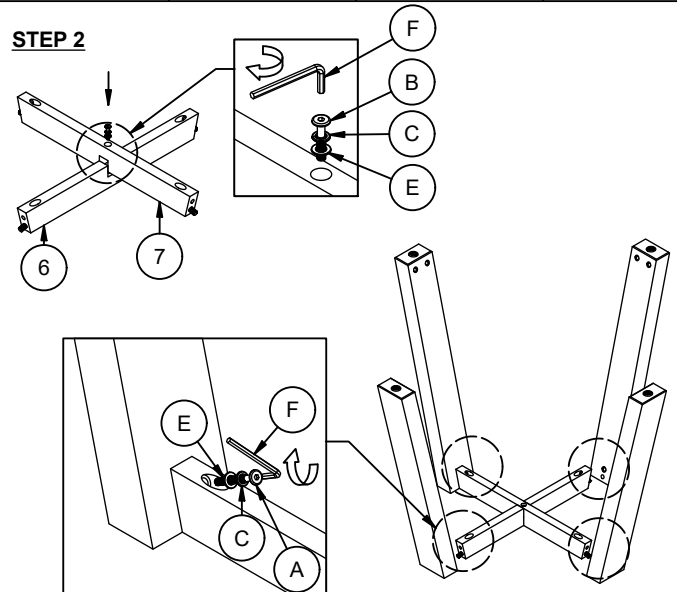
Thank you for purchasing this quality product. Be sure to check all packing material carefully for small parts which may have come loose inside the carton during shipment. Identify and count all parts and compare with the parts list below. Please keep all hardware out of reach of small children.

1  TABLE TOP 1 PC	2  LEAF TOP 1 PC	3  TABLE LEGS 4 PCS	4  BOTTOM RAIL- A 1 PC	5  BOTTOM RAIL- B 1 PC	6  TOP RAIL- A 1 PC	7  TOP RAIL- B 1 PC	8  MOUNTING PLATE 1 PC
A  JCBC BOLT M6 x 50mm 20 PCS	B  JCBC BOLT M6 x 30mm 3 PCS	C  SPRING WASHER M6 23 PCS	D  FLAT WASHER M6 x 19mm 10 PCS	E  FLAT WASHER M6 x 13mm 13 PCS	F  ALLEN KEY M4 1 PC		

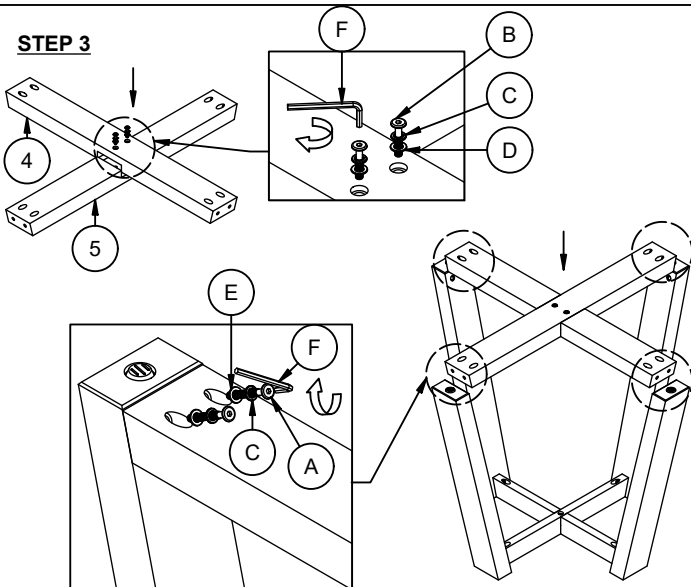
STEP 1



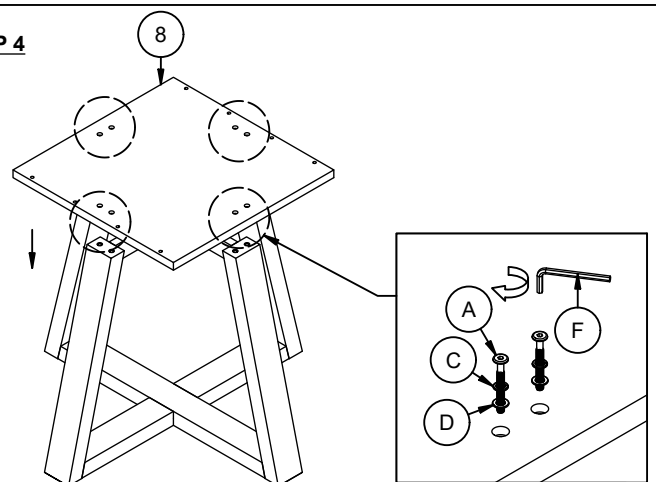
STEP 2



STEP 3



STEP 4



ASSEMBLY TIPS:

1. Remove hardware from box and sort by size.
2. Please check to see that all hardware and parts are present prior start of assembly.
3. Please follow attached instructions in the same sequence as numbered to assure fast and easy assembly.

⚠ WARNING!

1. Don't attempt to repair or modify parts that are broken or defective. Please contact the store immediately.
2. This product is for home use only and not intended for commercial establishments.



INTERCON
FURNITURE FOR LIFE

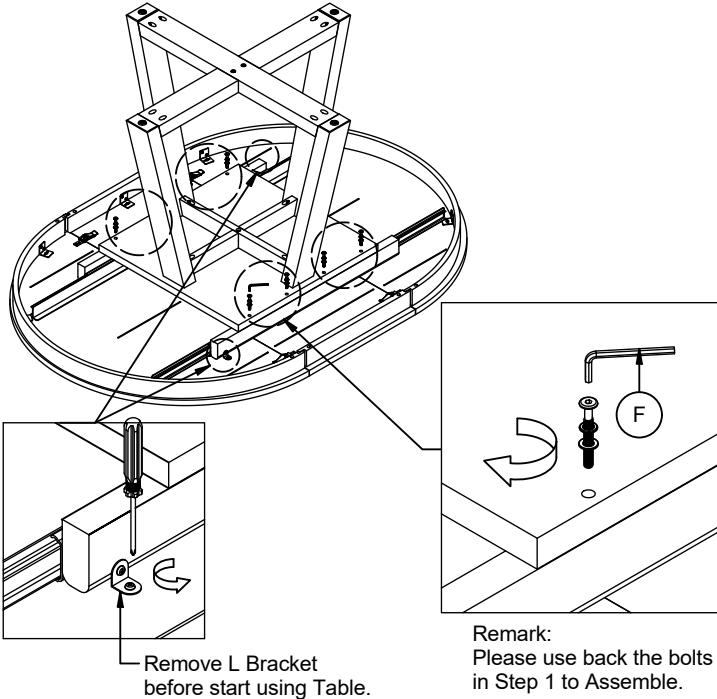
ASSEMBLY INSTRUCTION

DESCRIPTION: Table, 42x42-60 Round Dining

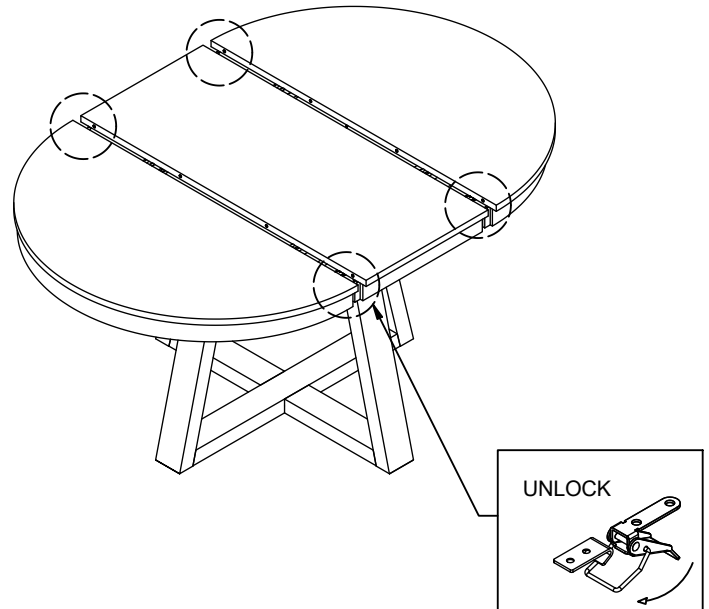
ITEM NO: HP-TA-4260-BBP-C

Thank you for purchasing this quality product. Be sure to check all packing material carefully for small parts which may have come loose inside the carton during shipment. Identify and count all parts and compare with the parts list below. Please keep all hardware out of reach of small children.

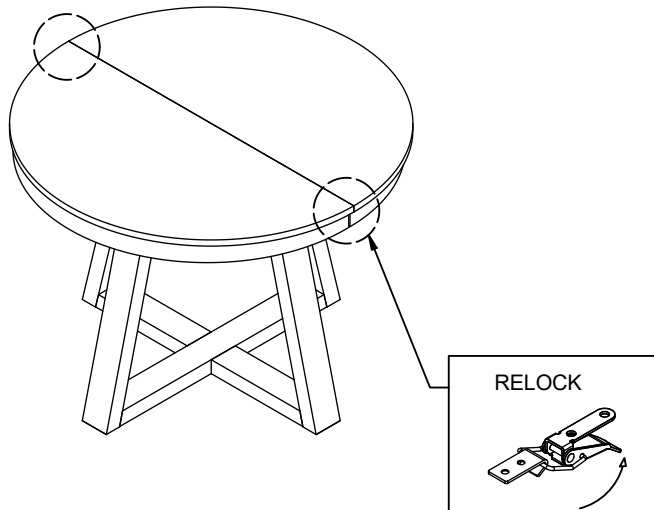
STEP 5



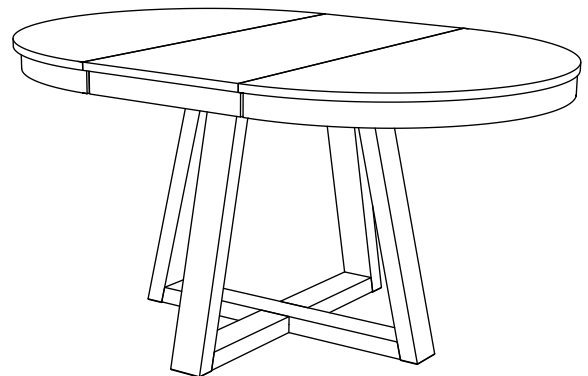
STEP 6



STEP 7



STEP 8



COMPLETE ASSEMBLY

ASSEMBLY TIPS:

- 1.Remove hardware from box and sort by size.
- 2.Please check to see that all hardware and parts are present prior start of assembly.
- 3.Please follow attached instructions in the same sequence as numbered to assure fast and easy assembly.

⚠ WARNING!

- 1.Don't attempt to repair or modify parts that are broken or defective. Please contact the store immediately.
- 2.This product is for home use only and not intended for commercial establishments.