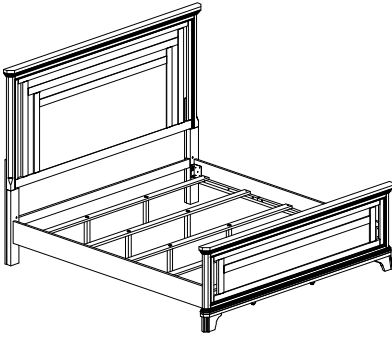


# ASSEMBLY INSTRUCTION

Item No : TU-BR-5285K-VOK-HB

Description : KING PANEL HEADBOARD



## IMPORTANT NOTE :

- Place all wooden parts on a clean and smooth surface such as a rug or carpet to avoid the parts from being scratched.
- Check to be sure that you have all parts and hardware.
- Remove all wrapping materials, including staples & packing straps before you start to assemble.
- Do not tighten all screws / bolts until all completely assembled.
- Keep all hardware parts out of reach of children.

| PART LIST |                    |         |
|-----------|--------------------|---------|
| NO        | DESCRIPTION        | QTY/PCS |
| 1         | HEADBOARD          | 1 PC    |
| 2         | HEADBOARD LEG L& R | 2 PCS   |
| 3         | STRETCHER          | 1 PC    |

| HARDWARE LIST |                    |         |
|---------------|--------------------|---------|
| NO            | DESCRIPTION        | QTY/PCS |
| A             | JCBB SCREW M8 x 40 | 8 PCS   |
| B             | SPRING WASHER M8   | 8 PCS   |
| C             | FLAT WASHER M8     | 8 PCS   |
| D             | ALLEN KEY M5       | 1 PC    |

