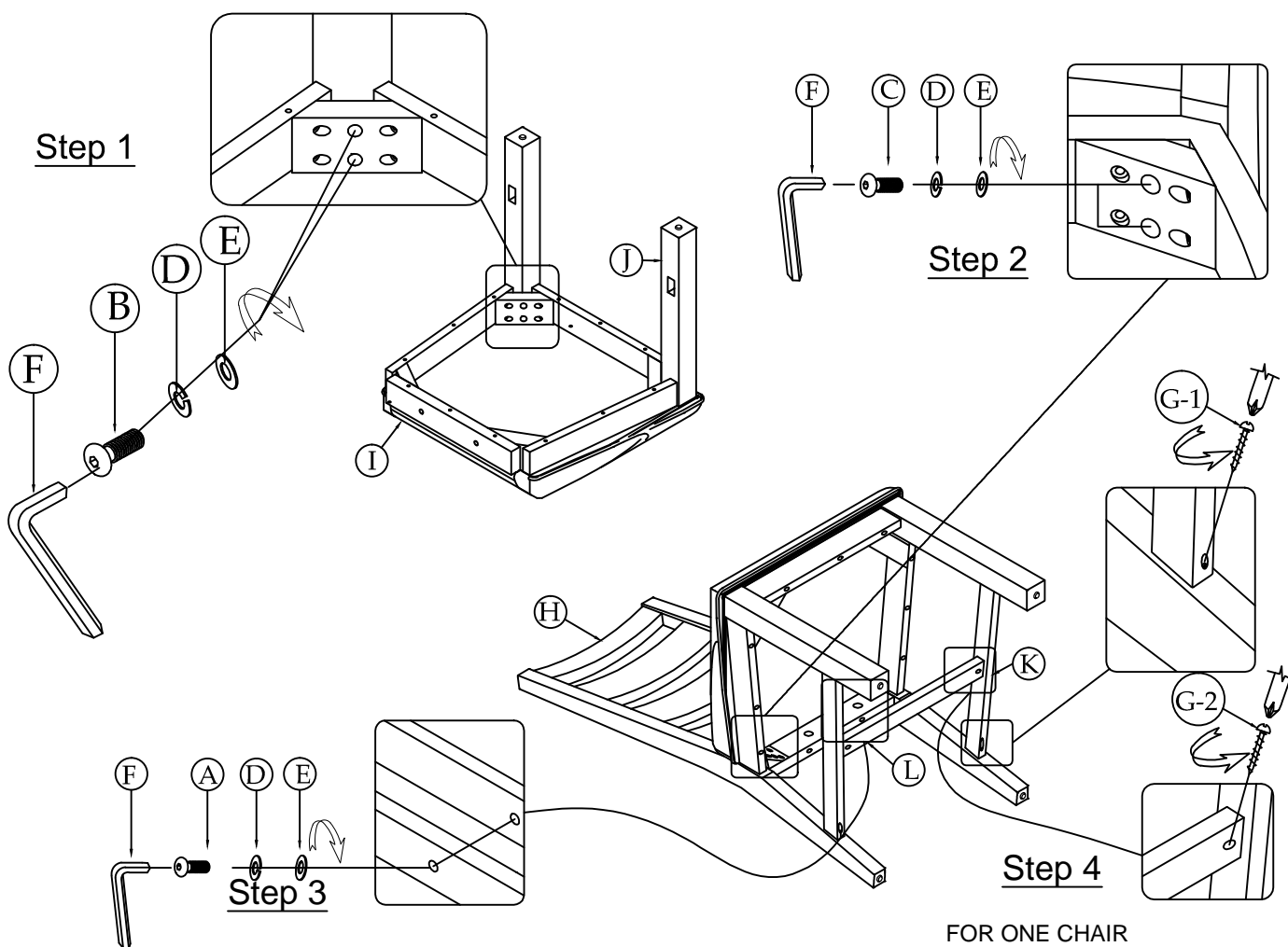


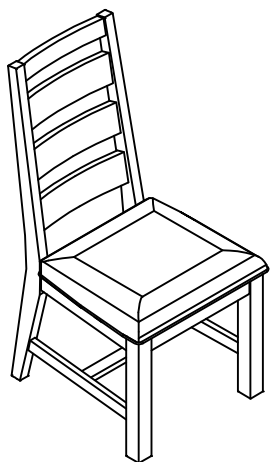
ASSEMBLY INSTRUCTIONS

ITEM: TS-CH-489C-CYB-RTA
LADDER BACK SIDE W/CUSHION

Thank you for purchasing this quality product. Be sure to check all packing material carefully for small parts, which may have come loose inside the carton during shipment. Identify and count all parts and compare with the parts List below.



FOR ONE CHAIR



HARDWARE & PARTS LIST				
ITEM	DRAWING	DESCRIPTION		QTY
A		Bolt	ø5/16x1-1/2"	2 PCS
B		Bolt	ø5/16x2"	4 PCS
C		Bolt	ø5/16x3"	4 PCS
D		Spring Washer	5/16"	10 PCS
E		Flat Washer	5/16"x19x2mm	10PCS
F		Allen Wrench	5MM	1 PC
G-1		Wood Screw	ø8x1-1/2"	4 PCS
G-2		Wood Screw	ø8x1-1/4"	2 PCS
H		Chair Back		1 PC
I		Cushion		1 PC
J		Legs		2 PCS
K		Side stretcher		2 PC
L		Center stretcher		1 PC

Do not tighten screws until completely assembled.

Made in Vietnam