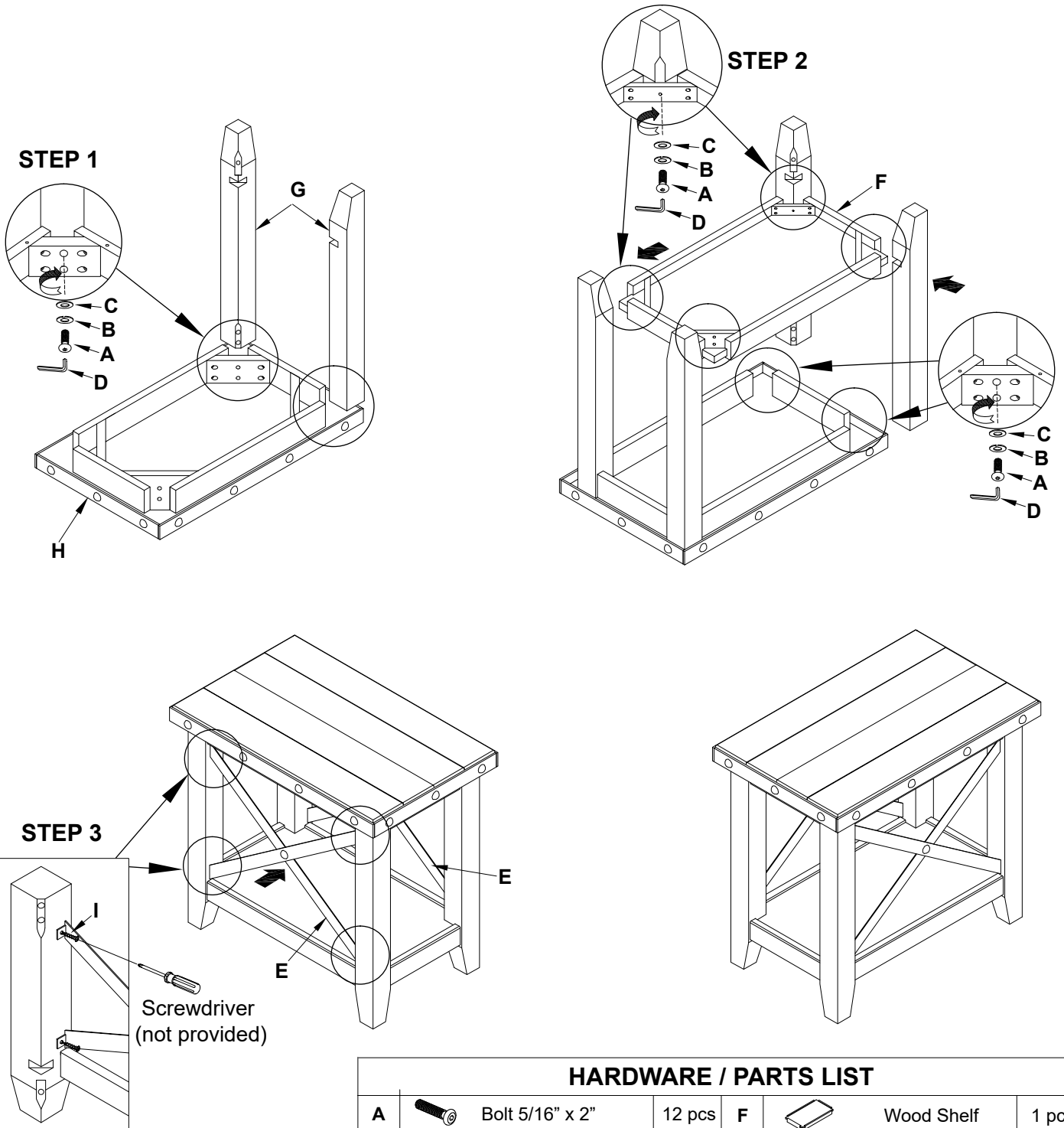


ASSEMBLY INSTRUCTIONS


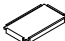

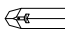



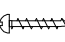
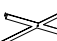
ITEM #: TS-TA-1626-CYB-C

DESCRIPTION: CHAIRSIDE TABLE

Thank you for purchasing this quality product. Be sure to check all packing material carefully for small parts, which may have come loose inside the cartons during shipment. Identify and count all parts / hardware and compare with the parts / hardware list below. Keep all hardware out of reach of small children.



Please tighten all bolts firmly and make sure the table does not wobble.
MADE IN VIETNAM

HARDWARE / PARTS LIST						
A		Bolt 5/16" x 2"	12 pcs	F	 Wood Shelf	1 pc
B		Spring Washer 5/16"	12 pcs	G	 Leg	4 pcs
C		Flat Washer 5/16"	12 pcs	H	 Top	1 pc
D		Allen Key	1 pc	I	 Wood Screw	8 pcs
E		X Metal Plate	2 pcs			