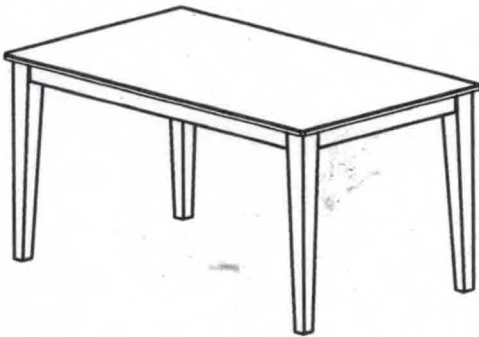


Assembly Instructions

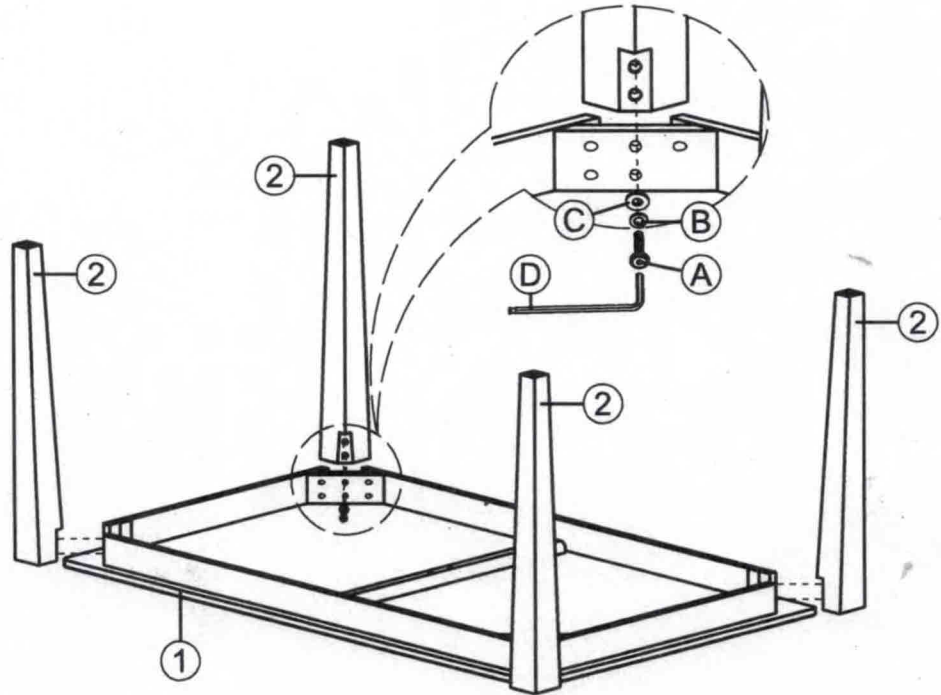
Item No. : SS-TA-3360-CYG-C

Description : 36 x 60 Table






IMPORTANT NOTES :

- Place all wooden parts on a clean and smooth surface such as a rug or carpet to prevent the parts from being scratched .
- Check to be sure that you have all parts and hardware .
- Remove all wrapping materials, including staples and packing straps before you start to assemble .
- Do not tighten all screws and bolts until completely assembled .
- Keep all hardware out of the reach of children .



Parts List		
No.		Q'ty
1	Table Top	1
2	Leg	4

Hardware List				
No.			Size	Q'ty
A	Bolt		M8 x 70	8
B	Lock Washer		Ø8.5/13	8
C	Flat Washer		Ø8.5/19	8