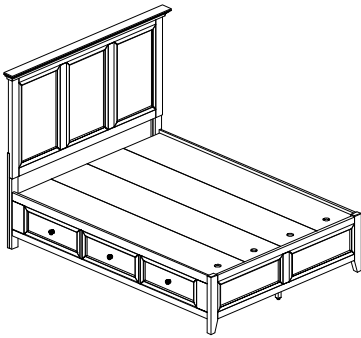


ASSEMBLY INSTRUCTION

Item No / **SM-BR-8865Q-TUS-FB / QUEEN PANEL FOOTBOARD**
 Description : **SM-BR-8865QS-TUS-RS / QUEEN STORAGE SIDE RAILS**



IMPORTANT NOTE :

- Place all wooden parts on a clean and smooth surface such as a rug or carpet to avoid the parts from being scratched.
- Check to be sure that you have all parts and hardware.
- Remove all wrapping materials, including staples & packing straps before you start to assemble.
- Do not tighten all screws / bolts until all completely assembled.
- Keep all hardware parts out of reach of children.

HEADBOARD & FOOTBOARD

PART LIST		
NO	DESCRIPTION	QTY/PCS
1	HEADBOARD	1 PC
2	FOOTBOARD	1 PC
3	SLAT	5 PCS
4	CENTER LEG	5 PCS

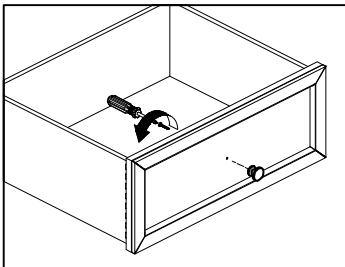
HARDWARE LIST		
NO	DESCRIPTION	QTY/PCS
A	JCBB SCREW M8 x 25	8 PCS
B	SPRING WASHER M8	8 PCS
C	FLAT WASHER M8	8 PCS
D	ALLEN KEY M5	1 PC
E	CSK SCREW M4 x 32	10 PCS

SIDE STORAGE BOX

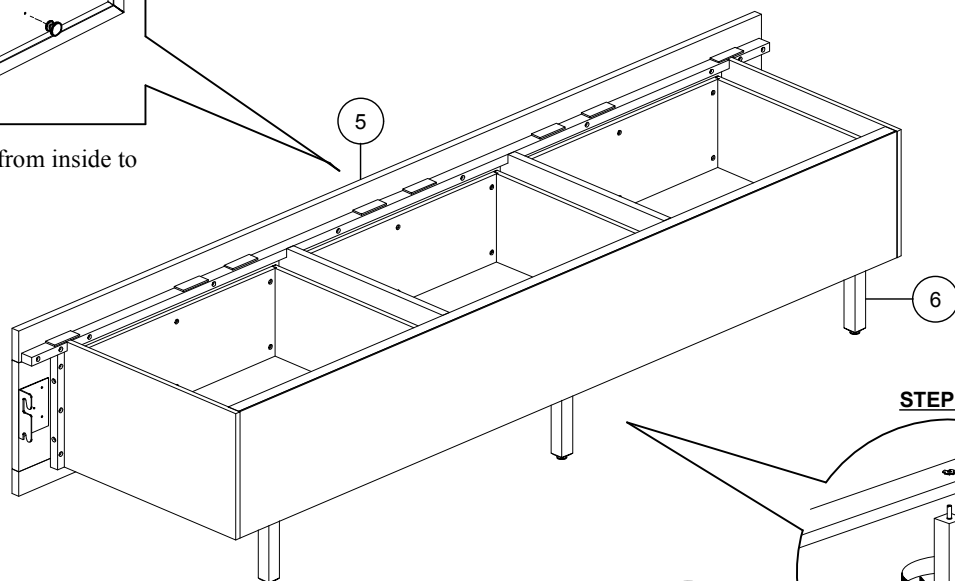
PART LIST		
NO	DESCRIPTION	QTY/PCS
5	SIDE STORAGE BOX	2 PCS
6	SUPPORT LEG	6 PCS
7	CONCEAL PANEL BOARD	4 PCS

NOTE : YOU WILL ALSO NEED A PHILIP SCREW DRIVER (NOT PROVIDED)

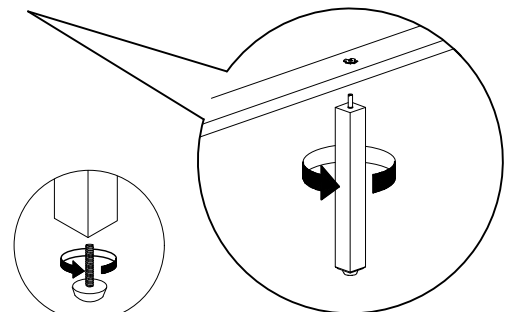
STEP 2



Re-assemble knob from inside to outside position.



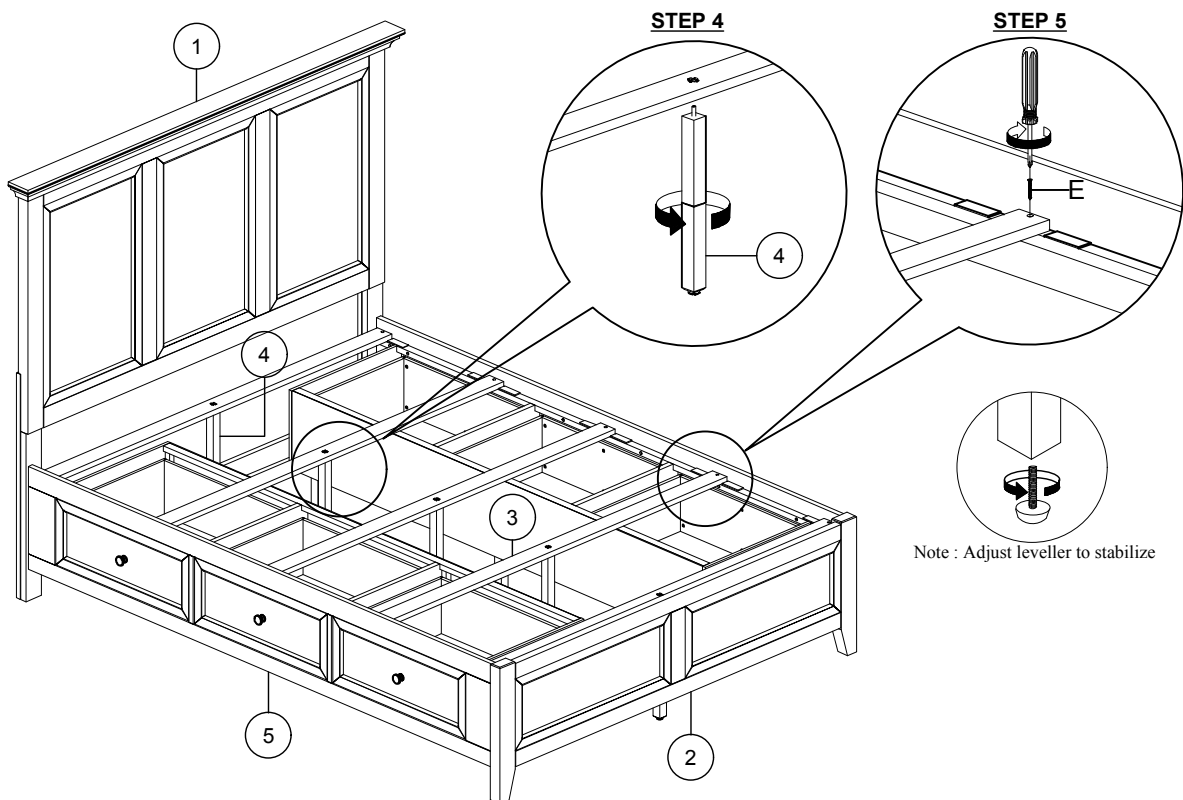
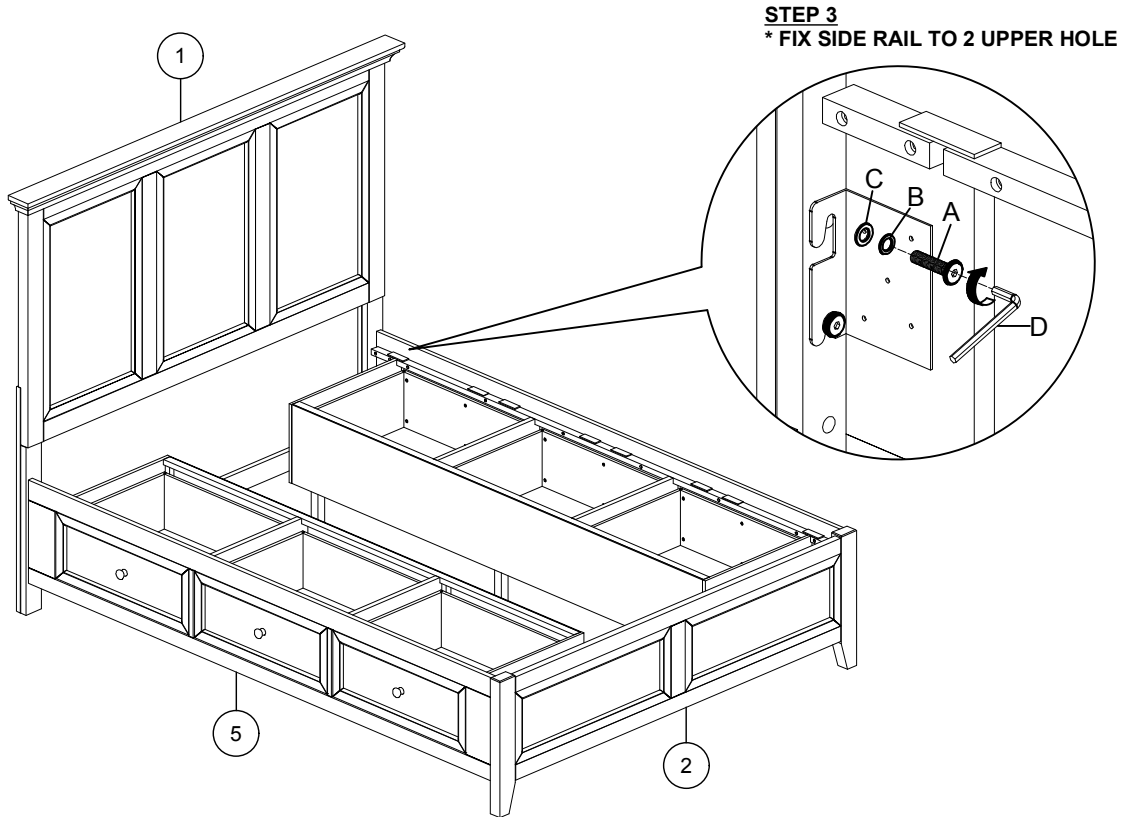
STEP 1



Note : Adjust leveller to stabilize

ASSEMBLY INSTRUCTION

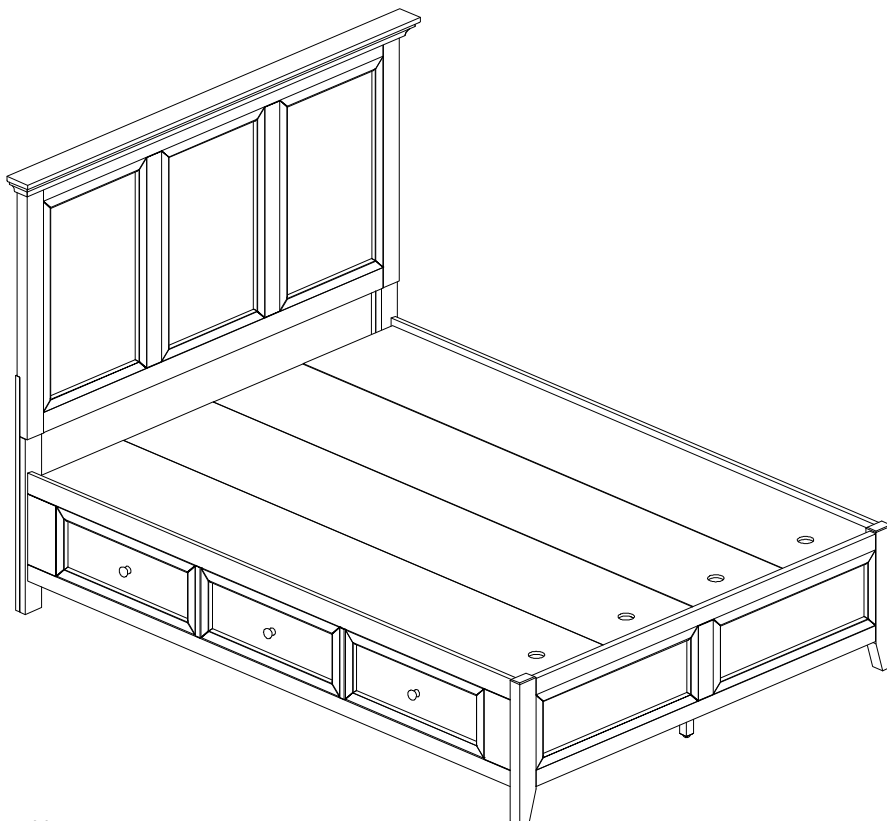
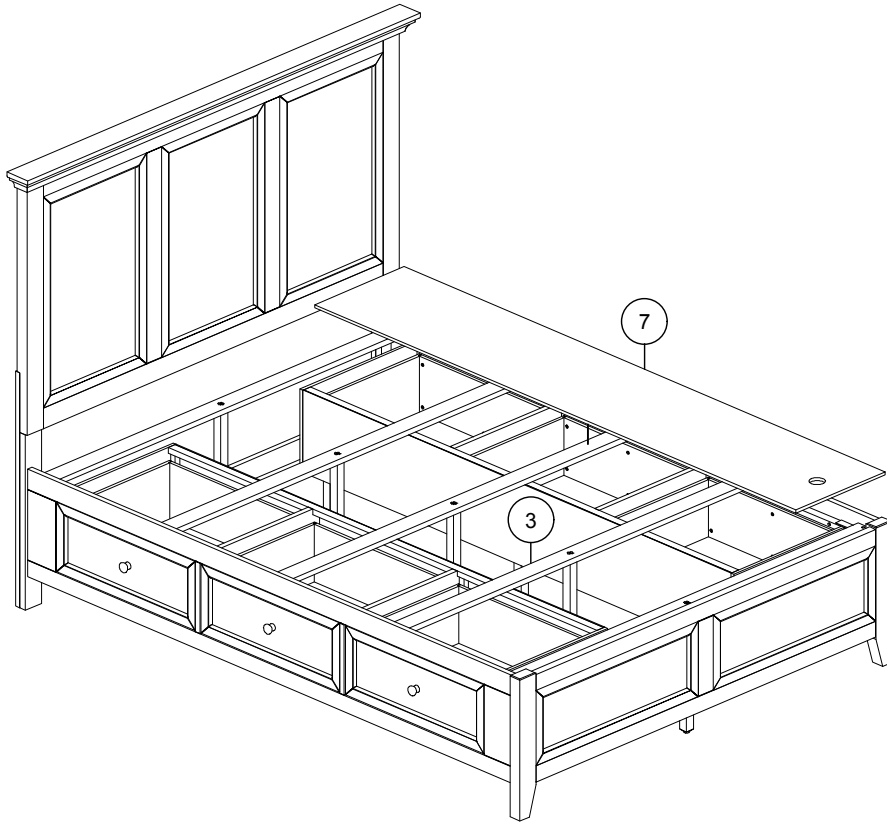
Item No / **SM-BR-8865Q-TUS-FB / QUEEN PANEL FOOTBOARD**
Description : **SM-BR-8865QS-TUS-RS / QUEEN STORAGE SIDE RAILS**



ASSEMBLY INSTRUCTION

Item No / SM-BR-8865Q-TUS-FB / QUEEN PANEL FOOTBOARD
Description : SM-BR-8865QS-TUS-RS / QUEEN STORAGE SIDE RAILS

Align & place conceal panel board (7) on top bed slat (3).



Complete Assembly

MADE IN MALAYSIA

3 OF 3