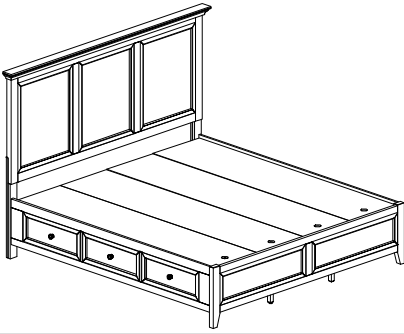


# ASSEMBLY INSTRUCTION

Item No / **SM-BR-8865K-TUS-FB / KING PANEL FOOTBOARD**  
 Description : **SM-BR-8865KS-TUS-RS / KING STORAGE SIDE RAILS**



## IMPORTANT NOTE :

- Place all wooden parts on a clean and smooth surface such as a rug or carpet to avoid the parts from being scratched.
- Check to be sure that you have all parts and hardware.
- Remove all wrapping materials, including staples & packing straps before you start to assemble.
- Do not tighten all screws / bolts until all completely assembled.
- Keep all hardware parts out of reach of children.

### HEADBOARD & FOOTBOARD

PART LIST		
NO	DESCRIPTION	QTY/PCS
1	HEADBOARD	1 PC
2	FOOTBOARD	1 PC
3	SLAT	5 PCS
4	CENTER LEG	10 PCS

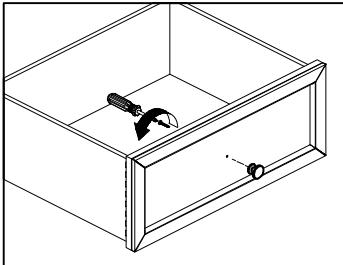
HARDWARE LIST		
NO	DESCRIPTION	QTY/PCS
A	JCBB SCREW M8 x 25	8 PCS
B	SPRING WASHER M8	8 PCS
C	FLAT WASHER M8	8 PCS
D	ALLEN KEY M5	1 PC
E	CSK SCREW M4 x 32	10 PCS

### SIDE STORAGE BOX

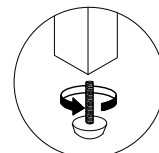
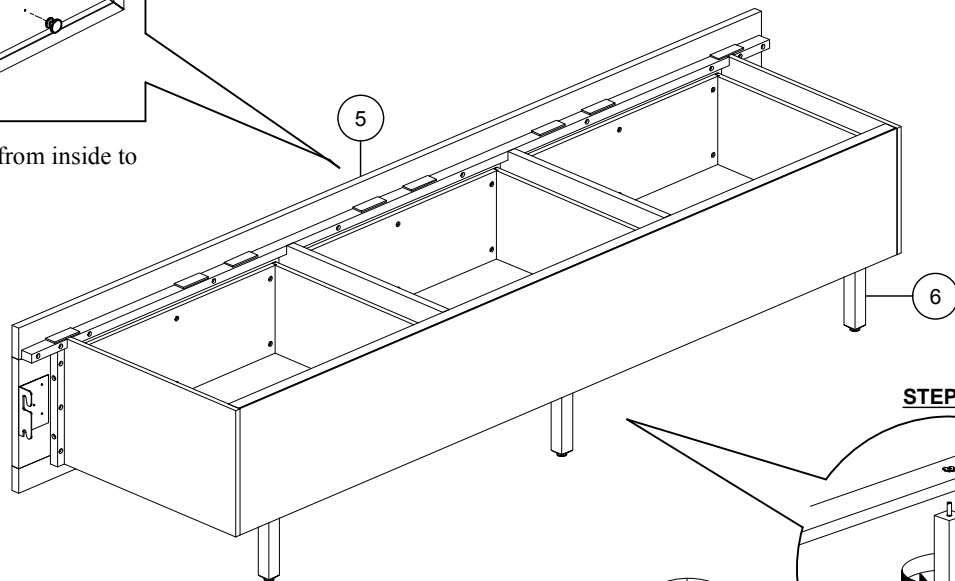
PART LIST		
NO	DESCRIPTION	QTY/PCS
5	SIDE STORAGE BOX	2 PCS
6	SUPPORT LEG	6 PCS
7	CONCEAL PANEL BOARD	4 PCS

NOTE : YOU WILL ALSO NEED A PHILIP SCREW DRIVER (NOT PROVIDED)

### STEP 2



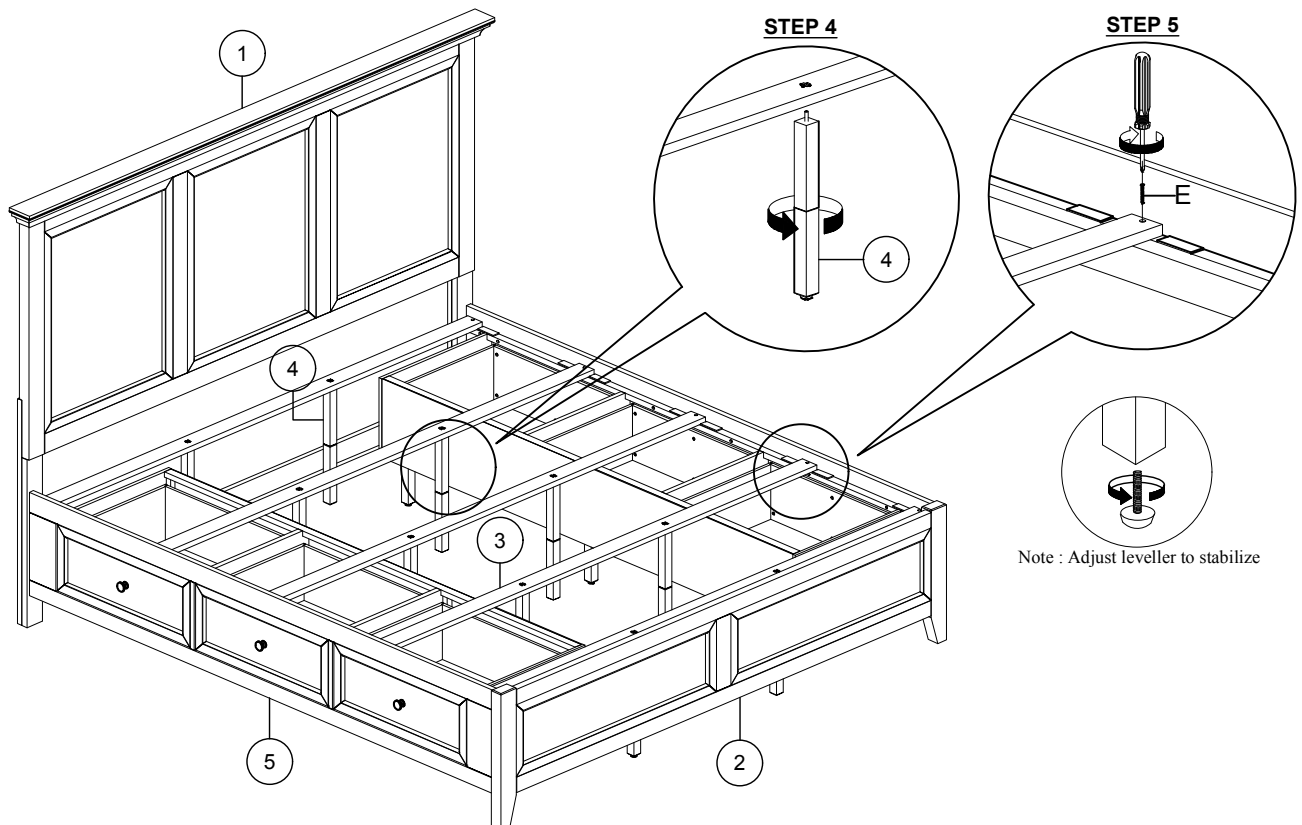
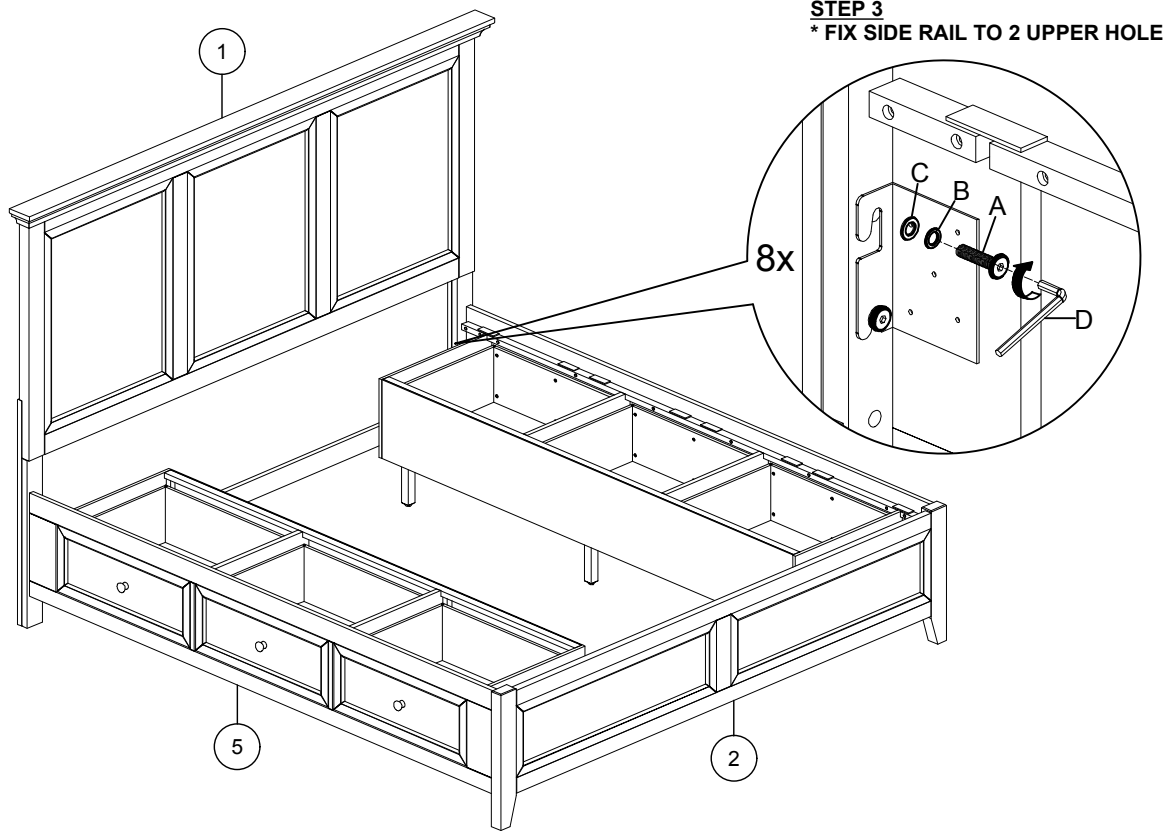
Re-assemble knob from inside to outside position.



Note : Adjust leveller to stabilize

# ASSEMBLY INSTRUCTION

Item No / **SM-BR-8865K-TUS-FB / KING PANEL FOOTBOARD**  
Description : **SM-BR-8865KS-TUS-RS / KING STORAGE SIDE RAILS**

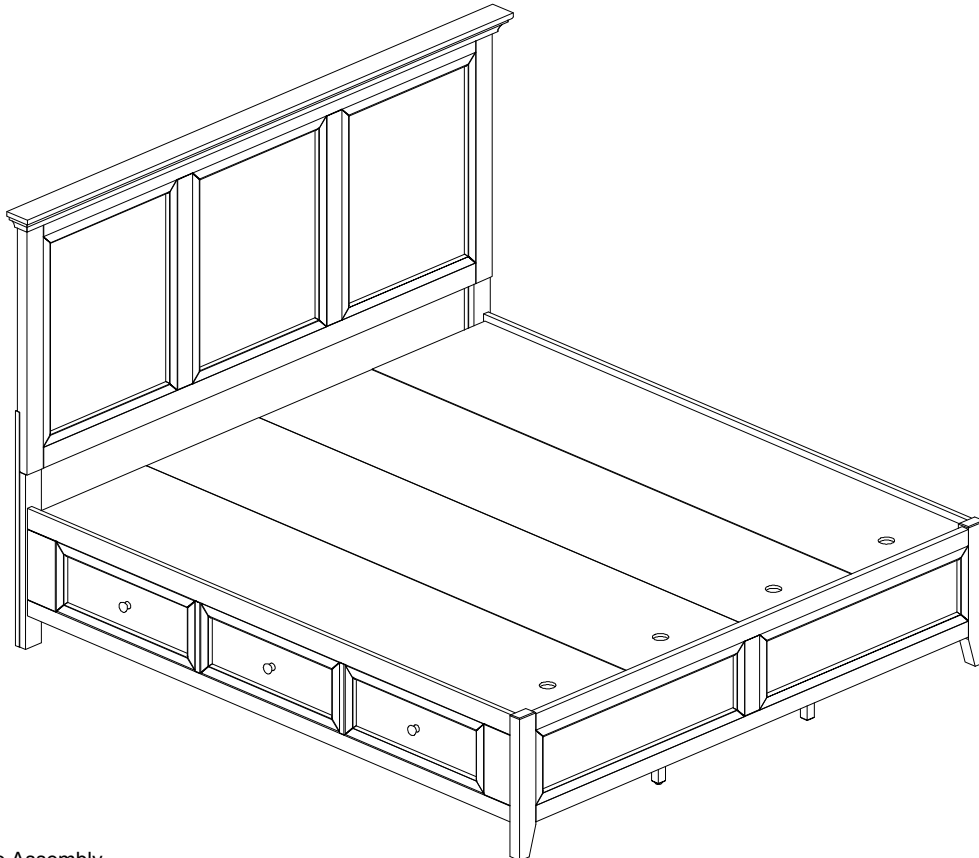
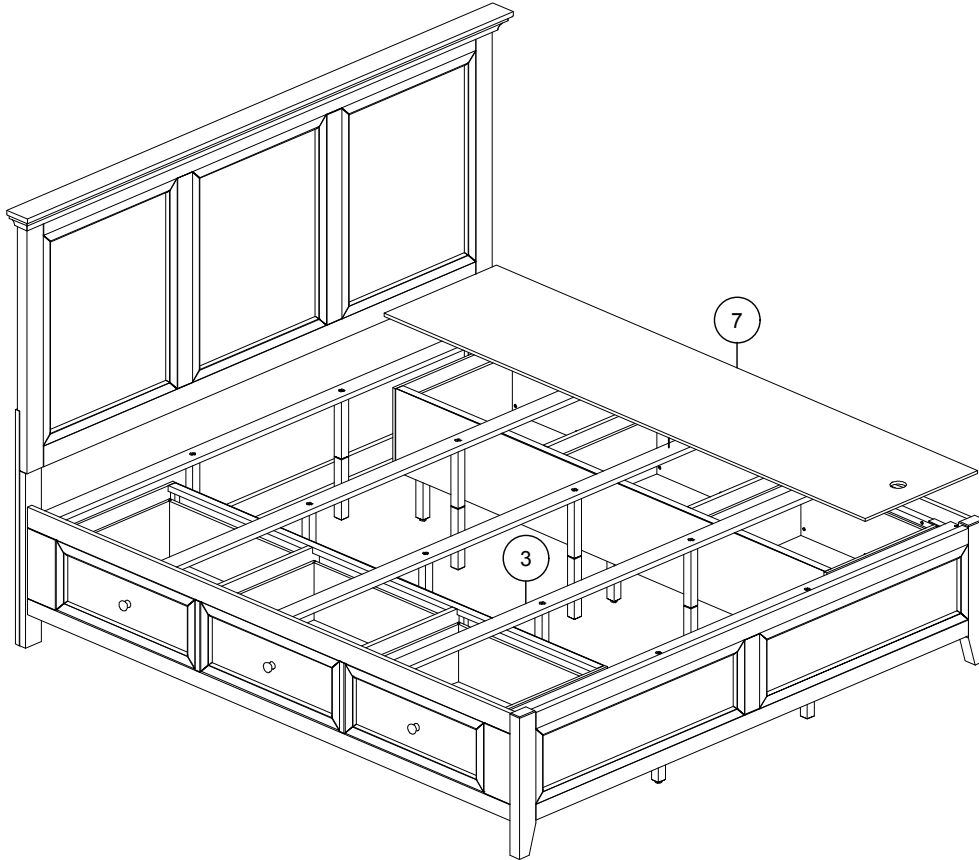


# ASSEMBLY INSTRUCTION

**Item No /** SM-BR-8865K-TUS-FB / KING PANEL FOOTBOARD  
**Description :** SM-BR-8865KS-TUS-RS / KING STORAGE SIDE RAILS

---

Align & place conceal panel board (7) on top bed slat (3).



Complete Assembly

**MADE IN MALAYSIA**

3 OF 3