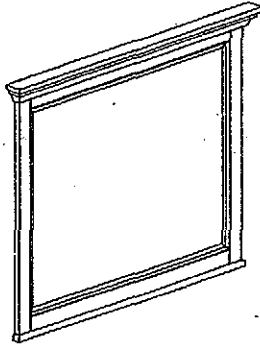


# ASSEMBLY INSTRUCTION

Item No : SM-BR-8891-TUS-C

SM-BR-8891-RWH-C

Description : MIRROR



## IMPORTANT NOTE :

- Place all wooden parts on a clean and smooth surface such as a rug or carpet to avoid the parts from being scratched.
- Check to be sure that you have all parts and hardware.
- Remove all wrapping materials, including staples & packing straps before you start to assemble.
- Do not tighten all screws / bolts until all completely assembled.
- Keep all hardware parts out of reach of children.

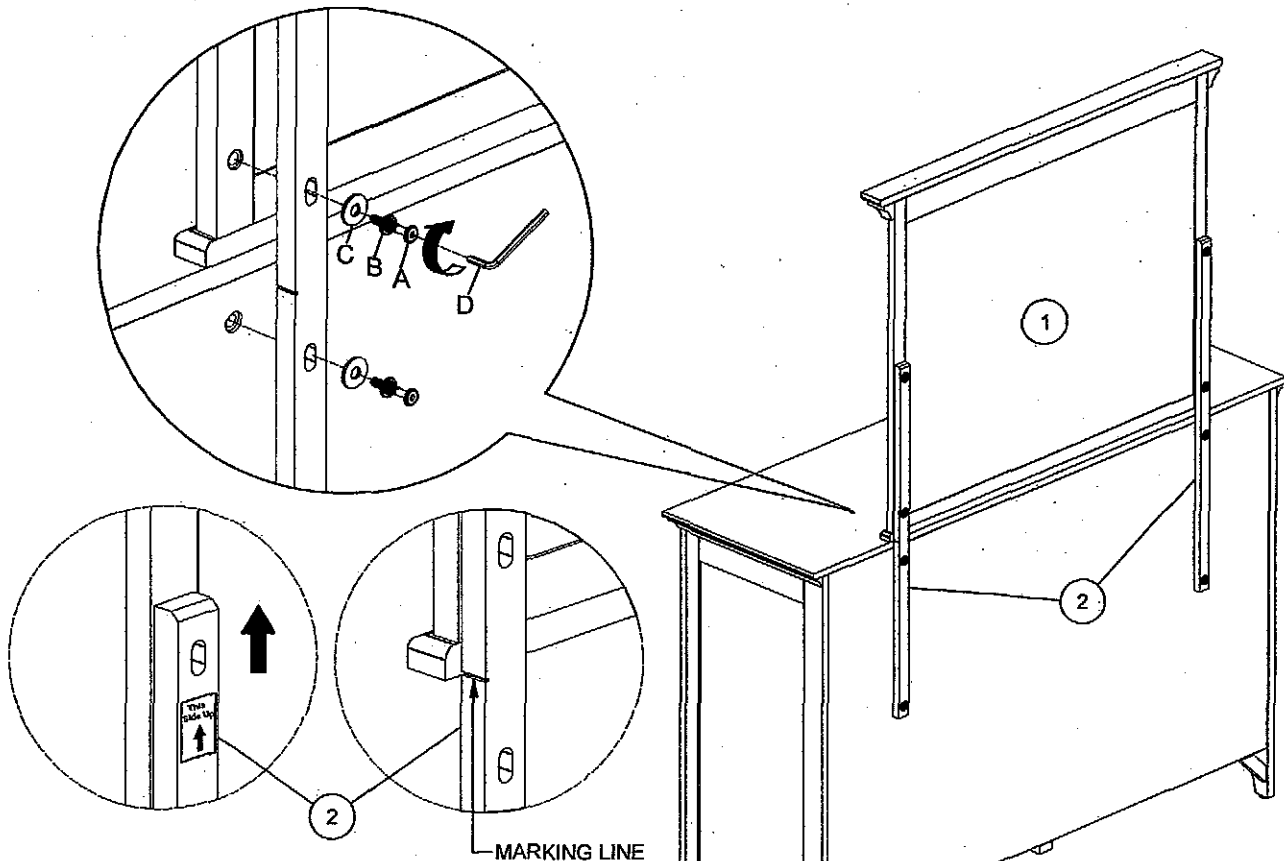
### COMPONENT LIST

NO	DESCRIPTION	QTY/PCS
1	MIRROR	1 PC
2	MIRROR SUPPORT RAIL	2 PCS

### HARDWARE LIST

NO	DESCRIPTION	QTY/PCS
A	JCBC SCREW M6 x 35	8 PCS
B	SPRING WASHER M6	8 PCS
C	FLAT WASHER 5/16" x 22mm	8 PCS
D	ALLEN KEY M4	1 PC

NOTE : YOU WILL ALSO NEED A PHILIP SCREW DRIVER (NOT PROVIDED)



#### REMARKS:

- Bevel area of mirror support rail must face upward.
- Mirror support rail marking line must align with bottom of mirror.