

ASSEMBLY INSTRUCTIONS

ITCO

ITEM : 1407-CC / RV-BS-R1350C-CHL-K24

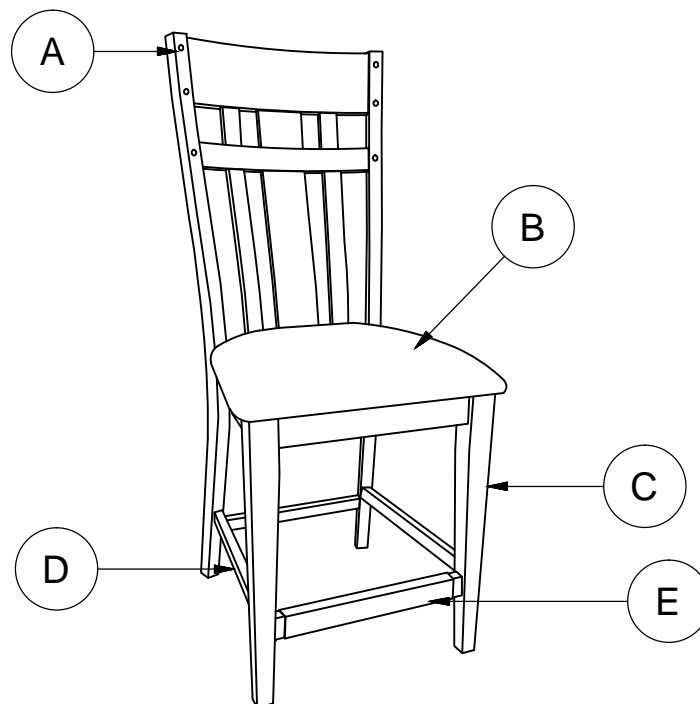
DESCRIPTION : 1407-CC CNT HGT STOOL

SKU : 43414072

Thank you for purchasing this quality product. Be sure to check all packing material for small parts which may have come loose inside carton during shipment. Identify and count all parts and compare with the hardware list as below:

Hardware List	No.	Picture	Description	Dimension	Qty
	①		JCBC (M6) with washer	6 x P1.0 x 40mm	2 Pcs
	②		JCBC (M6) with washer	6 x P1.0 x 70mm	4 Pcs
	③		Hex Nut	5/16" x 18T x 1/2"	4 Pcs
	④		Spring Washer	1.5 x 14mm	4 Pcs
	⑤		Flat Washer	1.5 x 22mm	4 Pcs
	⑥		C.S.K Screw (M4)	4 x 38mm	6 Pcs
	⑦		Allen Key (M4)	4 x 58mm	1 Pc
	⑧		Wrench	2 x 82mm	1 Pc

Parts List	No.	Description	Qty
	A	Back Rest	1 Pc
	B	Cushion Seat	1 Pc
	C	Front Leg	2 Pcs
	D	Side Stretcher	2 Pcs
	E	Front Stretcher	1 Pc

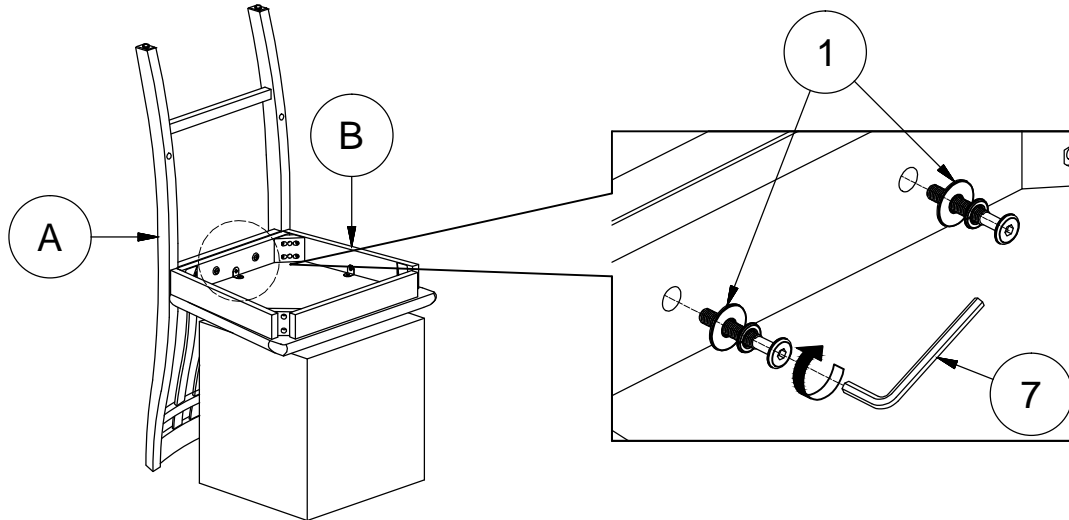


PARTS DETAIL

Assembly steps

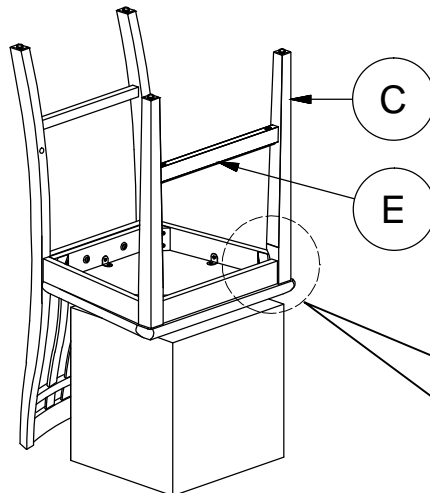
STEP 1

Assemble seat frame to the backrest.



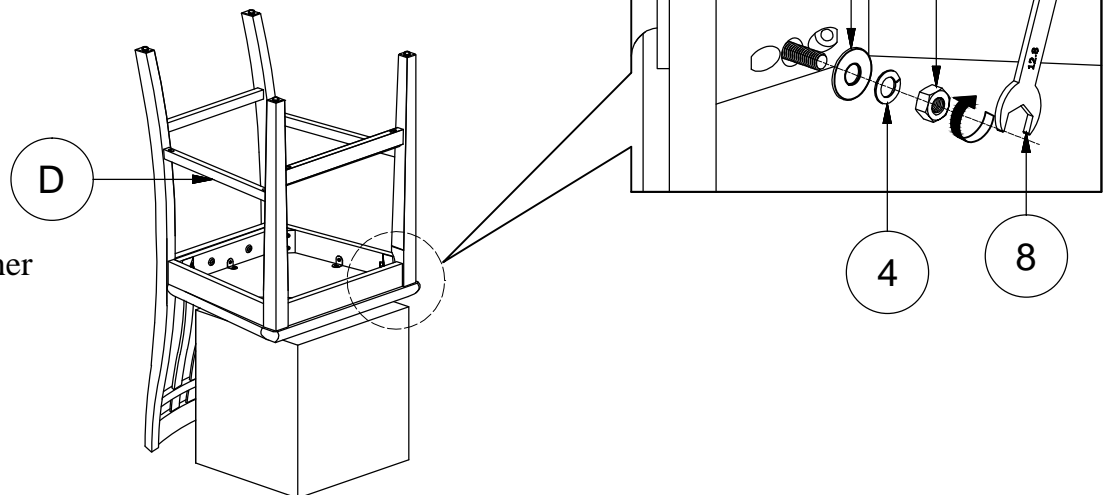
STEP 2

Assemble front legs to the seat frame with stretcher. **DO NOT FULLY TIGHTEN THE SCREW UNTIL STEP 2b.**



STEP 2a

Assemble front stretcher to the leg.



STEP 2b

Assemble side stretcher to the leg.

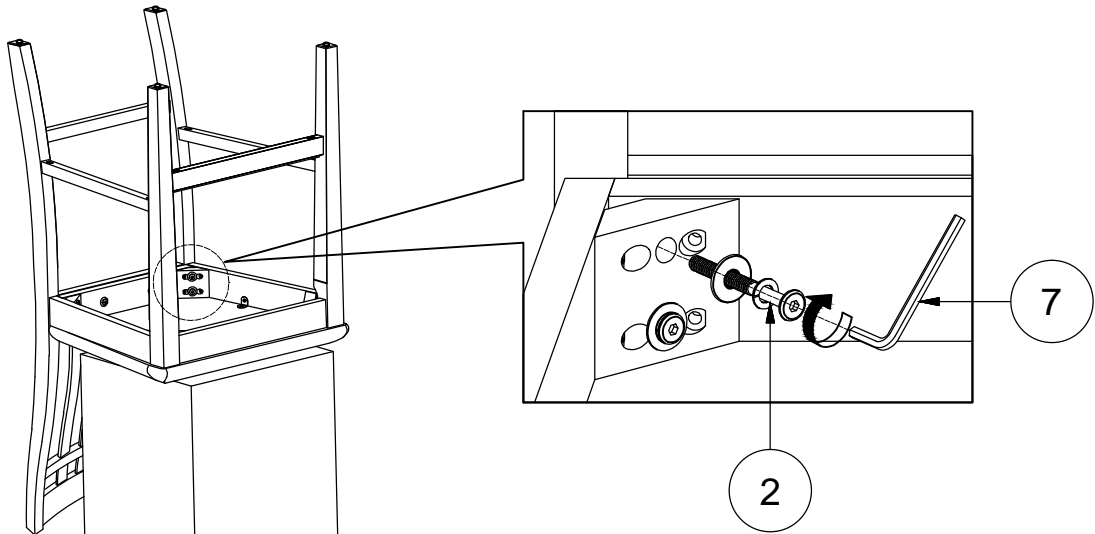
NOTE :

To ensure that chair is levelled, assemble the chair on flat & soft surface. **DO NOT** tighten all the screws & bolts until the chair been adjust & level all the legs so that they do not wobble. Once adjusted then only tighten all the screws using Allen Key while making sure the unit remain level.

Assembly steps

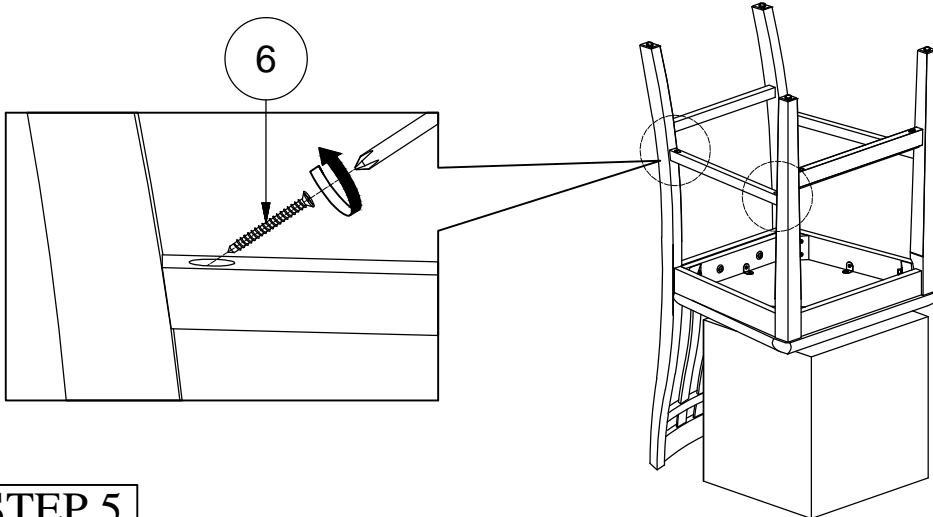
STEP 3

Assemble seat frame to the backrest.



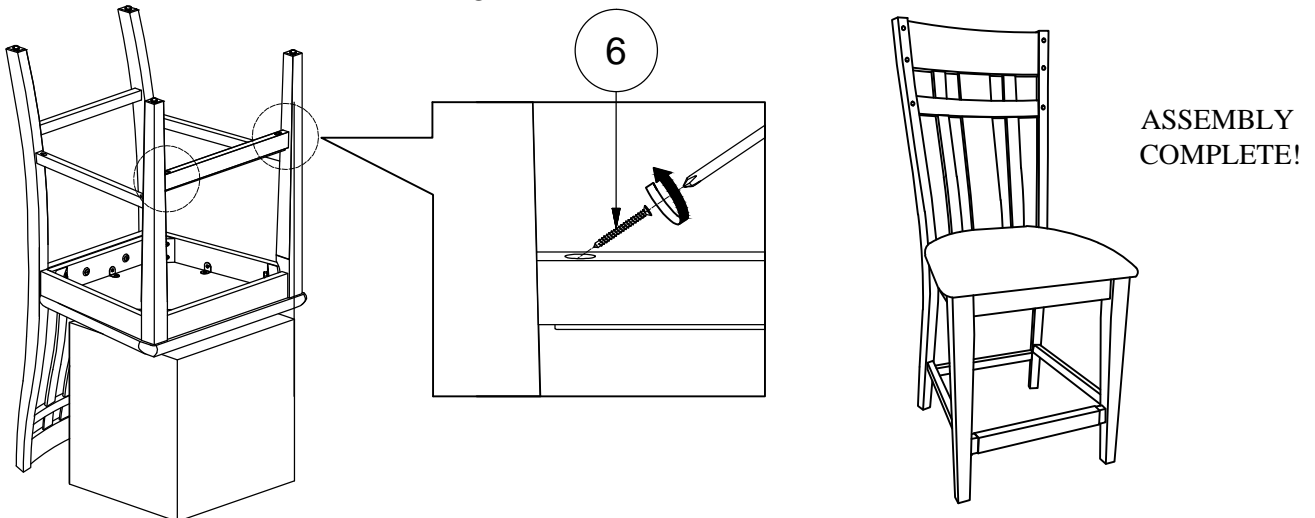
STEP 4

Assemble side stretcher to the backrest.



STEP 5

Assemble front stretcher to the front leg.



NOTE :

To ensure that chair is levelled, assemble the chair on flat & soft surface. DO NOT tighten all the screws & bolts until the chair been adjust & level all the legs so that they do not wobble. Once adjusted then only tighten all the screws using Allen Key while making sure the unit remain level.