



ITCO

ASSEMBLY INSTRUCTIONS

ITEM : 1407-BNH / RV-CH-R4715B-CHL-RTA

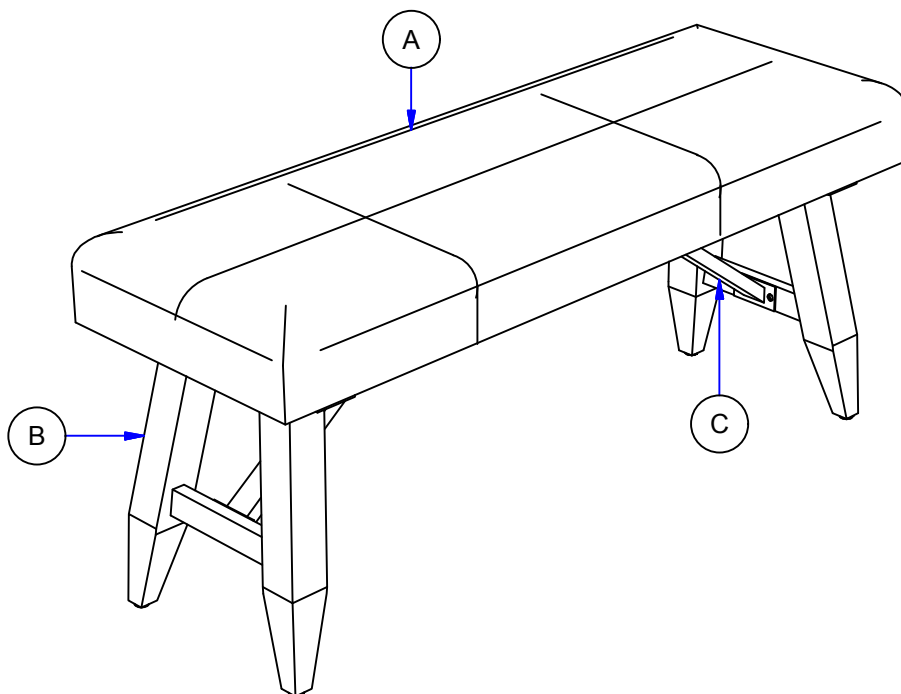
DESCRIPTION : 1407-BNH BENCH

SKU : 42514073

Thank you for purchasing this quality product. Be sure to check all packing material for small parts which may have come loose inside carton during shipment. Identify and count all parts and compare with the hardware list as below:

	No.	Picture	Description	Dimension	Qty
Hardware List	①		JCBC (M6) with washer	6 x P1.0 x 40mm	6 Pcs
	②		JCBC (M6) with washer	6 x P1.0 x 20mm	6 Pcs
	③		Allen Wrench (M4)	4 x 58mm	1 Pc

	No.	Description	Qty
Parts List	A	Cushion Seat	1 Pc
	B	Leg	2 Pcs
	C	Metal Rail	2 Pcs

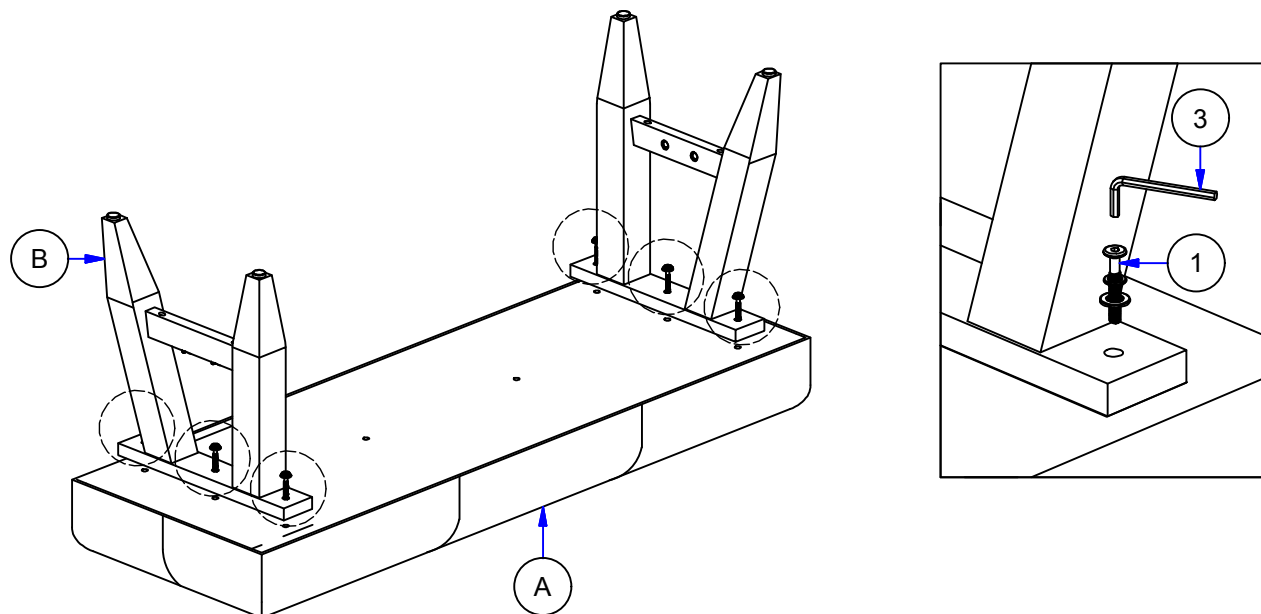


PARTS DETAIL

Assembly steps

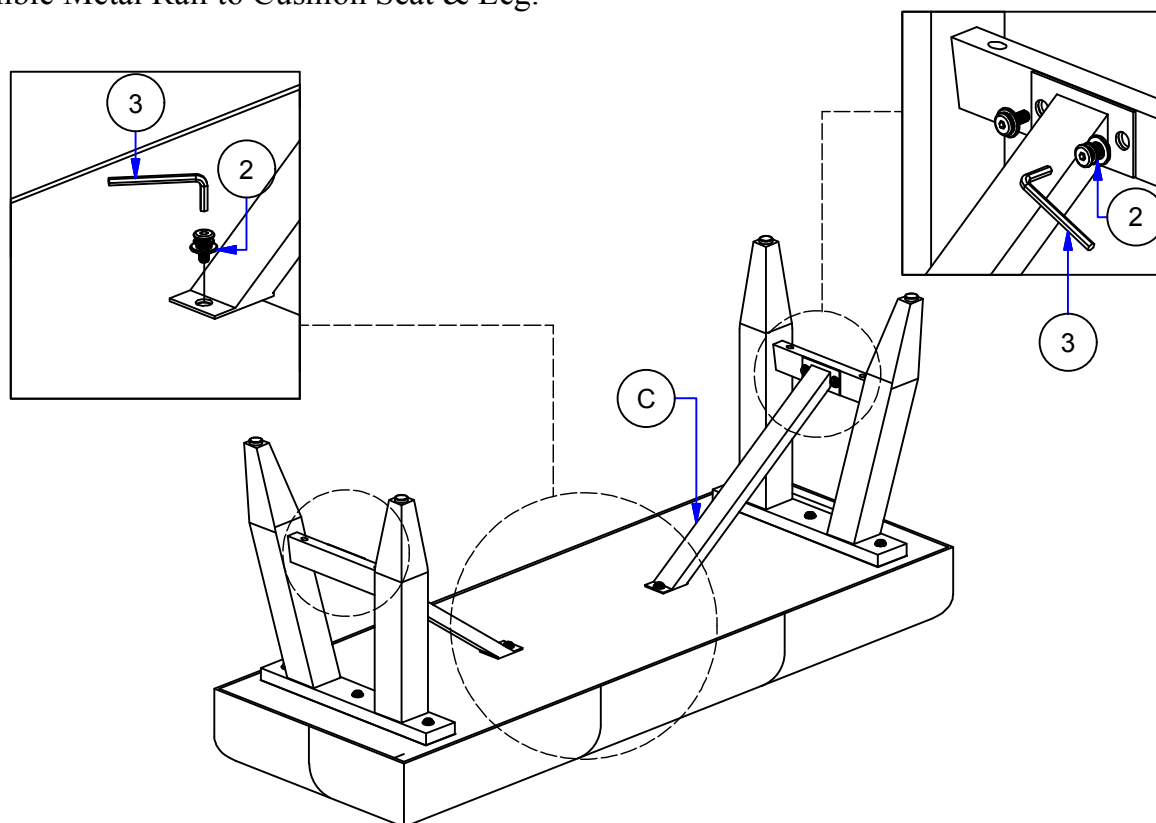
STEP 1

Assemble Leg to the Cushion Seat.



STEP 2

Assemble Metal Rail to Cushion Seat & Leg.



NOTE :

To ensure that bench is levelled, assemble the table on flat & soft surface. DO NOT tighten all the screws & bolts until the table been adjust & level all the legs so that they do not wobble. Once adjusted then only tighten all the screws using Allen Key while making sure the unit remain level.