

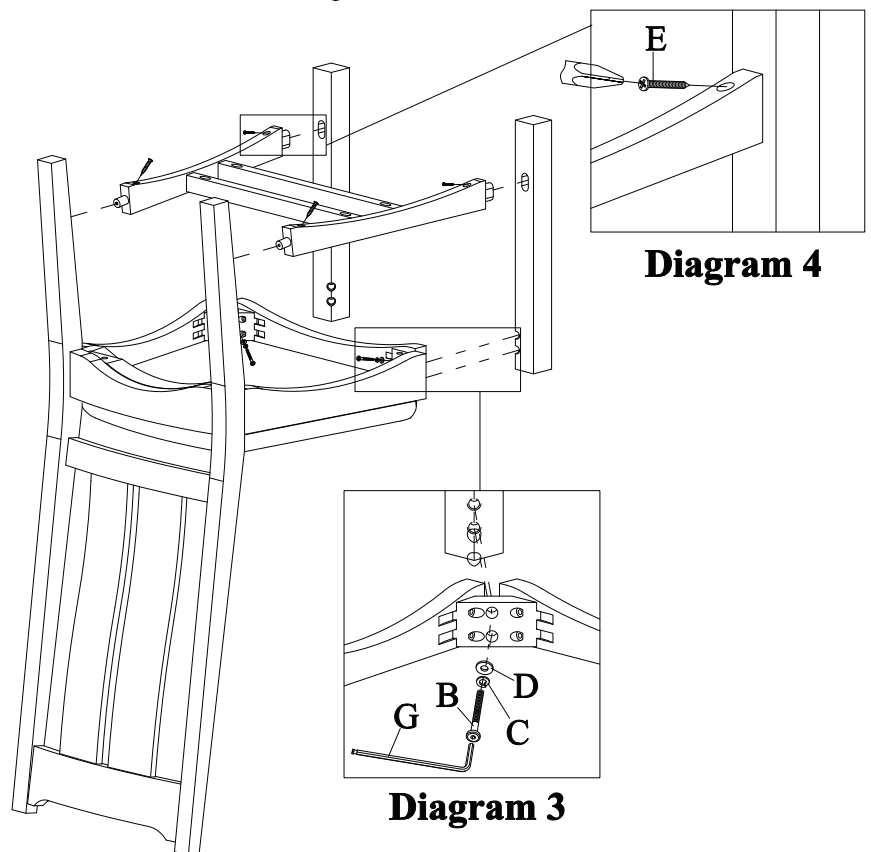
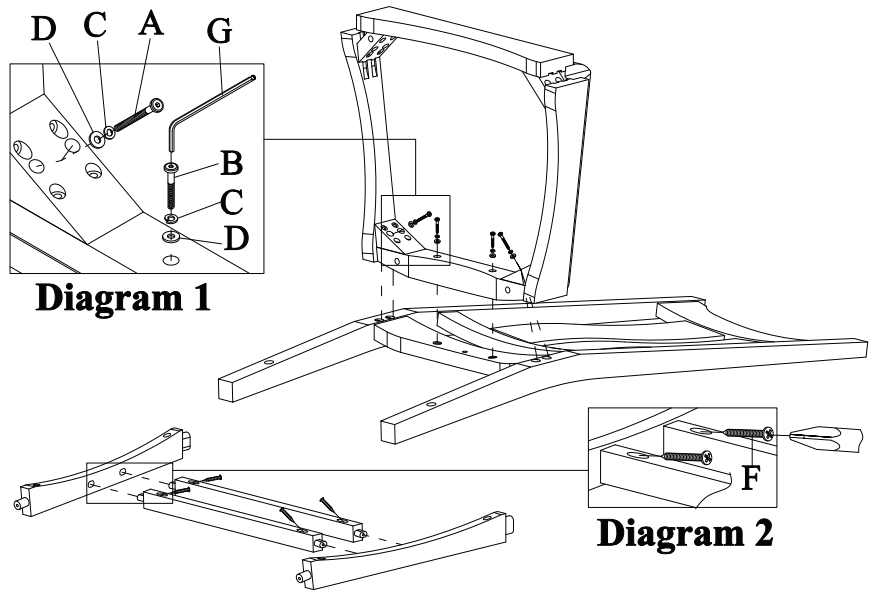
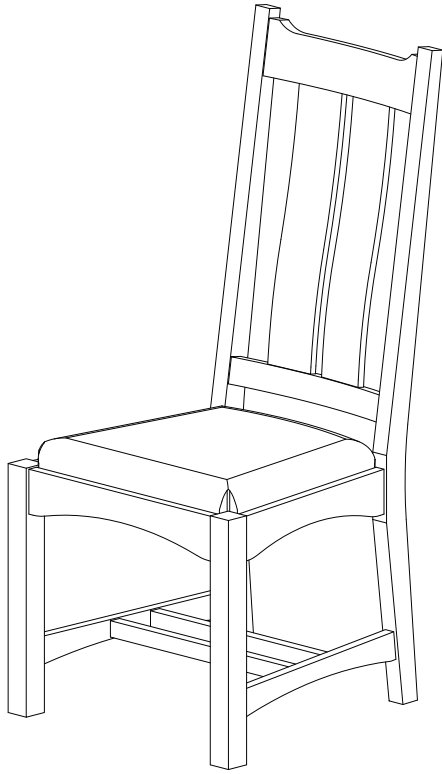
Assembly Instructions

Item No: OP-CH-950C-MIS-RTA

Description: OAK PARK WIDE SLAT BACK SIDE CHAIR WITH CUSHION SEAT

IMPORTANT NOTES :

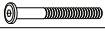





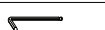
- Place all wooden parts on a clean and smooth surface such as a rug or carpet to prevent the parts from being scratched .
- Check to be sure that you have all parts and hardware .
- Remove all wrapping materials, including staples and packing straps before you start to assemble .
- Do not tighten all screws and bolts until completely assembled .
- Keep all hardware out of the reach of children .



Parts List (For One Chair)

No.		Q'ty
1	Backrest	1
2	Seat Frame with Cushion	1
3	Left Front Leg	1
4	Right Front Leg	1
5	Left Side Stretcher	1
6	Right Side Stretcher	1
7	Front Middle Stretcher	1
8	Back Middle Stretcher	1

Hardware List (For One Chair)

No.		Size	Q'ty
A	Bolt 	M8 x 80	4
B	Bolt 	M8 x 60	6
C	Lock Washer 	Ø8.5/13	10
D	Flat Washer 	Ø8.5/19	10
E	Screw 	Ø4 x 50	4
F	Screw 	Ø4 x 30	4
G	Allen Key 		1