

Assembly Instructions

for Queen bed , King bed & CAL King Bed

Thank you for purchasing this quality product. Carefully check all packing material for small parts which may have come loose inside the carton during shipment. Keep all hardware out of the reach of small children. Study all the instructions and drawings carefully before assembly. Check that all connections are tight and the product does not wobble before using.

1. Lift and press the plastic lock and pull out the drawer (Figure 1)
 2. Attach side rails to Headboard and Footboard using Allen Wrench and Bolts. (Figure 2)
 3. Adjust the leveller under the slats as needed. (Figure 3)
 4. Attach support legs to slats. (Figure 4)
 5. Secure slats to rails with screws. (Figure 5)
 6. Put cover panels onto slats. (Figure 5)
- Make sure all connections are tight and the bed does not wobble before using.

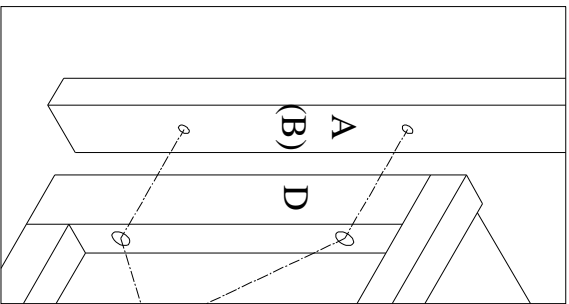
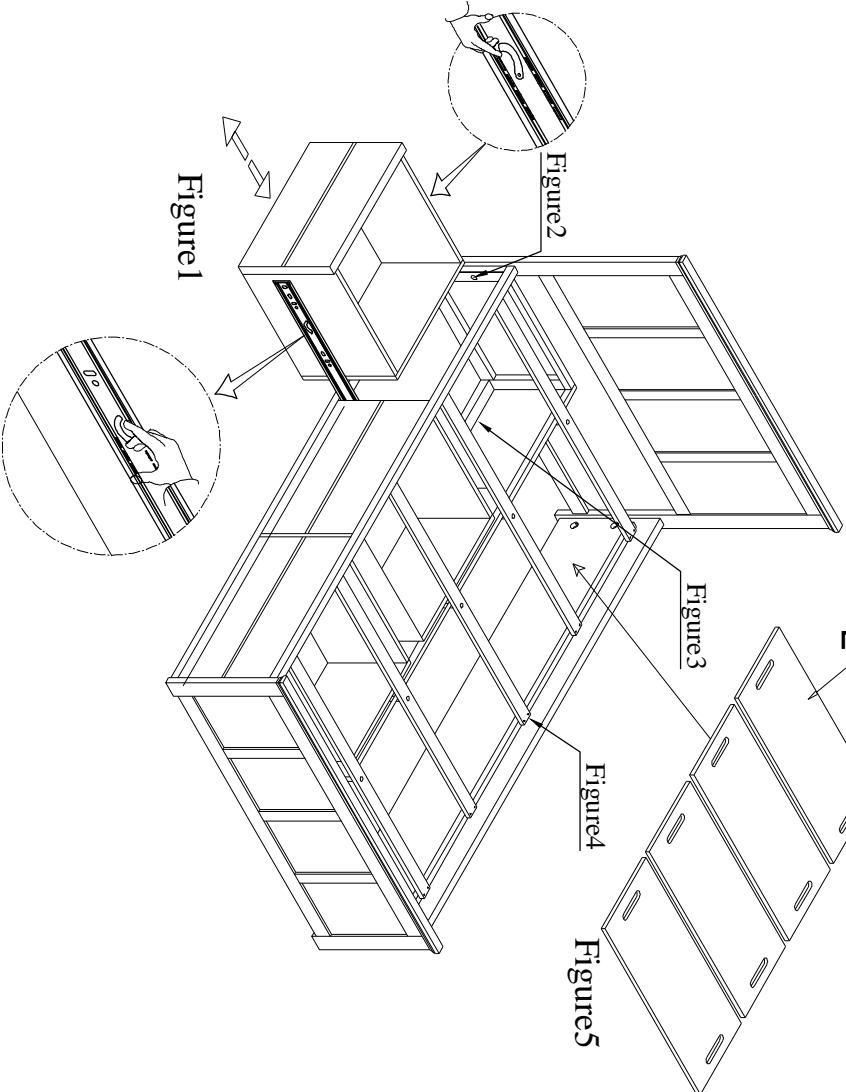


Figure 2

PARTS CHECK LIST

ITEM	PART NAME	QUANTITY
A	HEADBOARD	1
B	FOOTBOARD	1
C	SLAT	5
D	RAIL	2
E	LONG SUPPORT	5
F	SHORT SUPPORT	4
L	COVER PANELS	4

HARDWARE CHECK LIST

ITEM	PART NAME	QUANTITY
G	SCREW	20
H	BOLT	4
J	ALLEN WRENCH	1

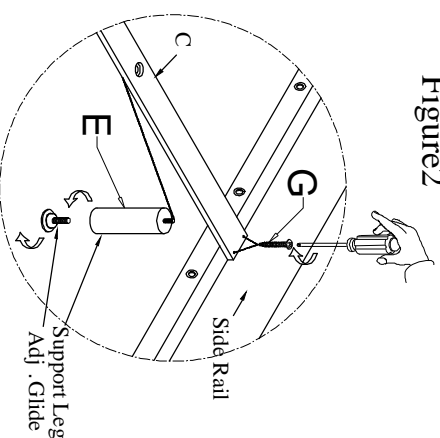


Figure 4

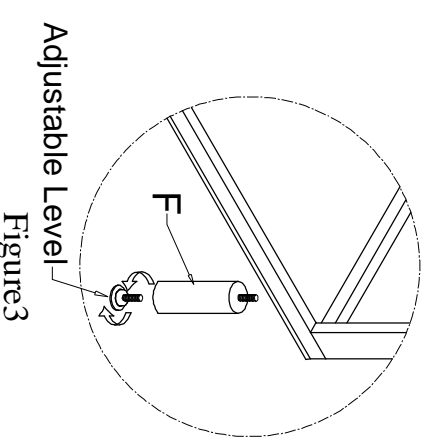


Figure 3