

# ASSEMBLY INSTRUCTIONS

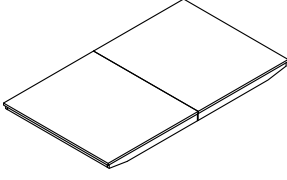
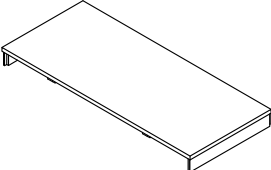
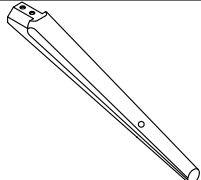
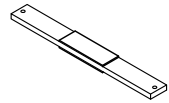
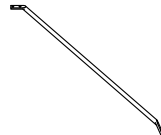
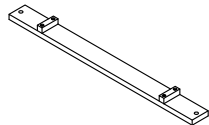
ITEM NO : MR-TA-4290-WWH-C

## TRESTLE DINING TABLE






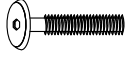
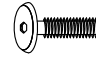
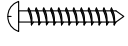
Thank you for purchasing this quality product. Be sure to check all packing material carefully for small parts that may have come loose inside the carton during shipment.

Please keep all hardware out of reach of small children

### PARTS LIST :

| NO. | DESCRIPTION    | SKETCH  | QTY  |
|-----|----------------|---|------|
| A   | Table Top      |    | 1pc  |
| B   | Table Leaf     |    | 1pc  |
| C   | Table Legs     |  | 4pcs |
| D   | Mounting Plate |  | 2pcs |
| E   | Metal Pipe     |  | 4pcs |
| F   | Trestle Bar    |  | 2pcs |

### HARDWARE LIST :

| NO. | DESCRIPTION       | SIZE          | SKETCH  | QTY   |
|-----|-------------------|---------------|---|-------|
| G   | Long Bolt         | Ø5/16"x 70mm  |    | 8pcs  |
| H   | Spring Washer     | Ø5/16"x 12mm  |    | 20pcs |
| I   | Flat Washer       | Ø5/16"x 19mm  |   | 16pcs |
| J   | Allen Wrench      | 58x 23x 4mm   |  | 1pc   |
| K   | Small Flat Washer | Ø1/4"x 12mm   |  | 4pcs  |
| L   | Short Bolt        | Ø1/4"x 38 mm  |  | 8pcs  |
| M   | Short Bolt        | Ø1/4"x 19 mm  |  | 4pcs  |
| N   | Screw             | Ø8x Ø4x 16 mm |  | 8pcs  |

DO NOT TIGHTEN BOLTS UNTIL TABLE IS COMPLETELY ASSEMBLED.

MADE IN VIETNAM

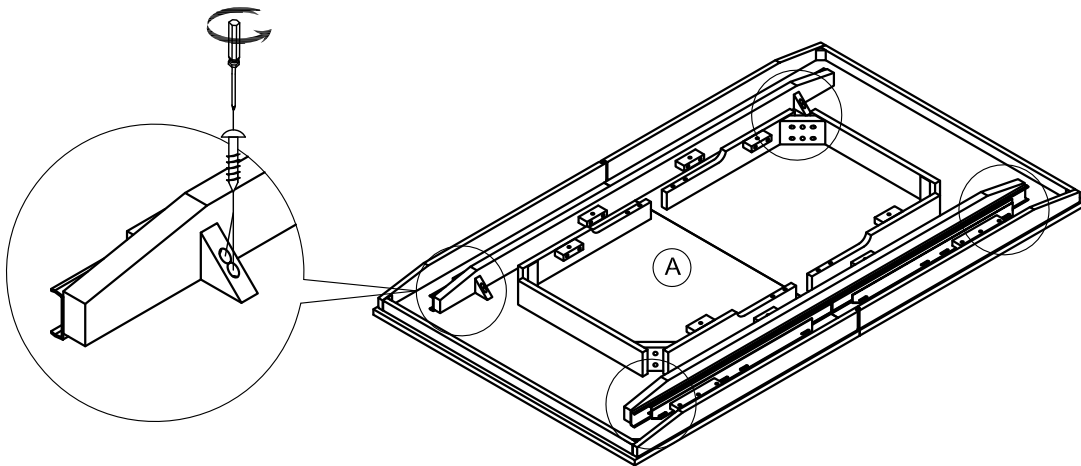
# ASSEMBLY INSTRUCTIONS

ITEM NO : MR-TA-4290-WWH-C

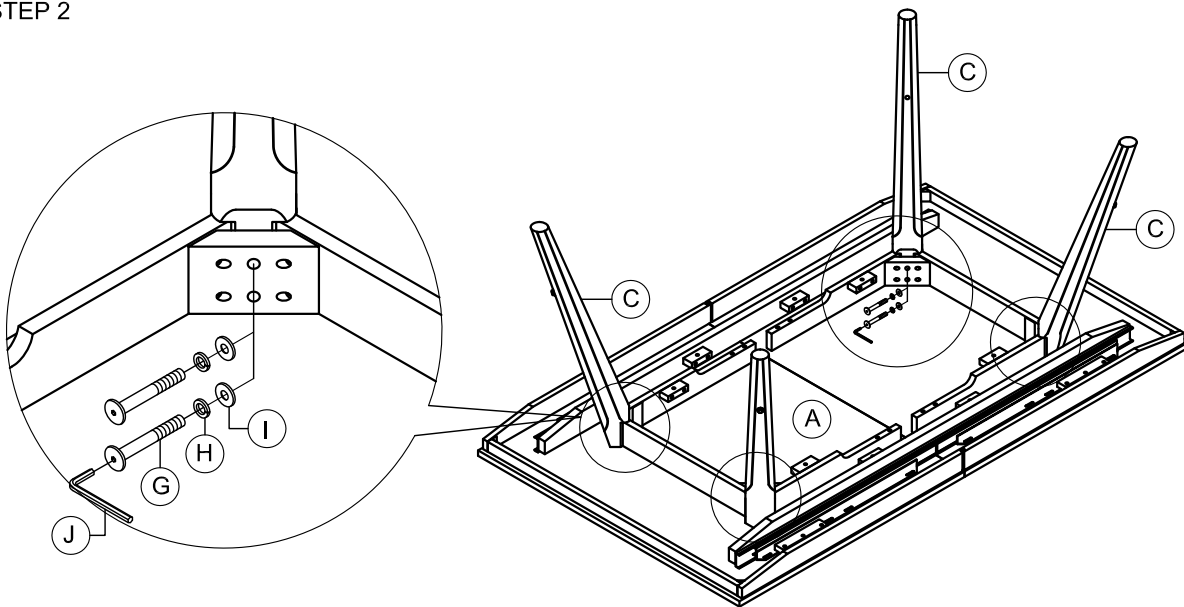
TRESTLE DINING TABLE

STEP 1

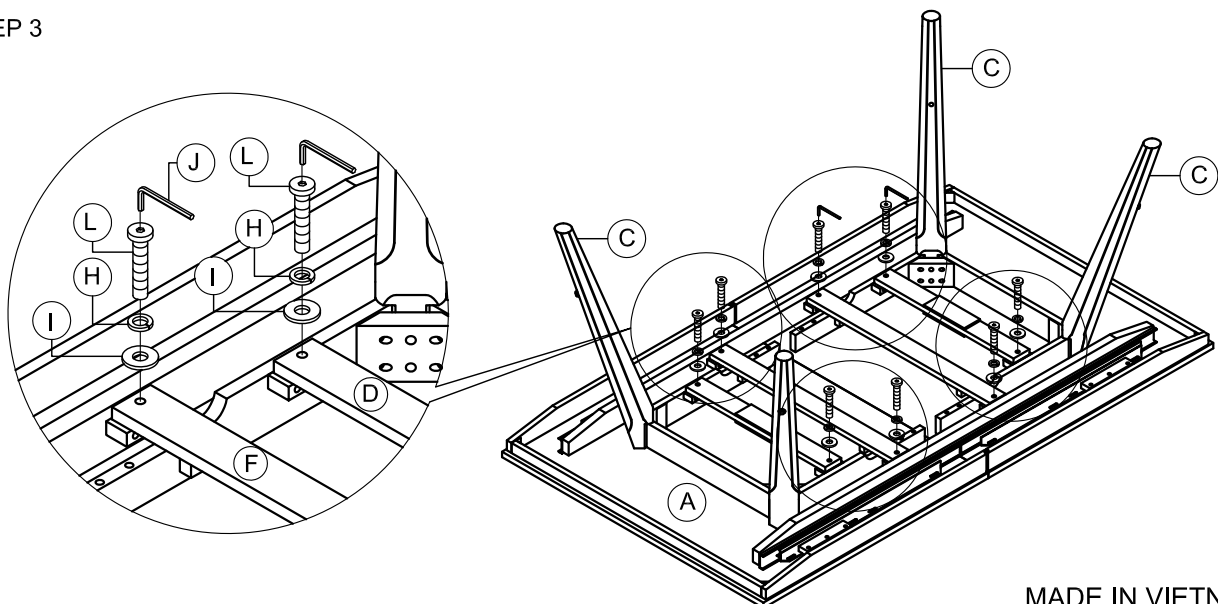
REMOVE THIS WOOD BLOCK



STEP 2



STEP 3



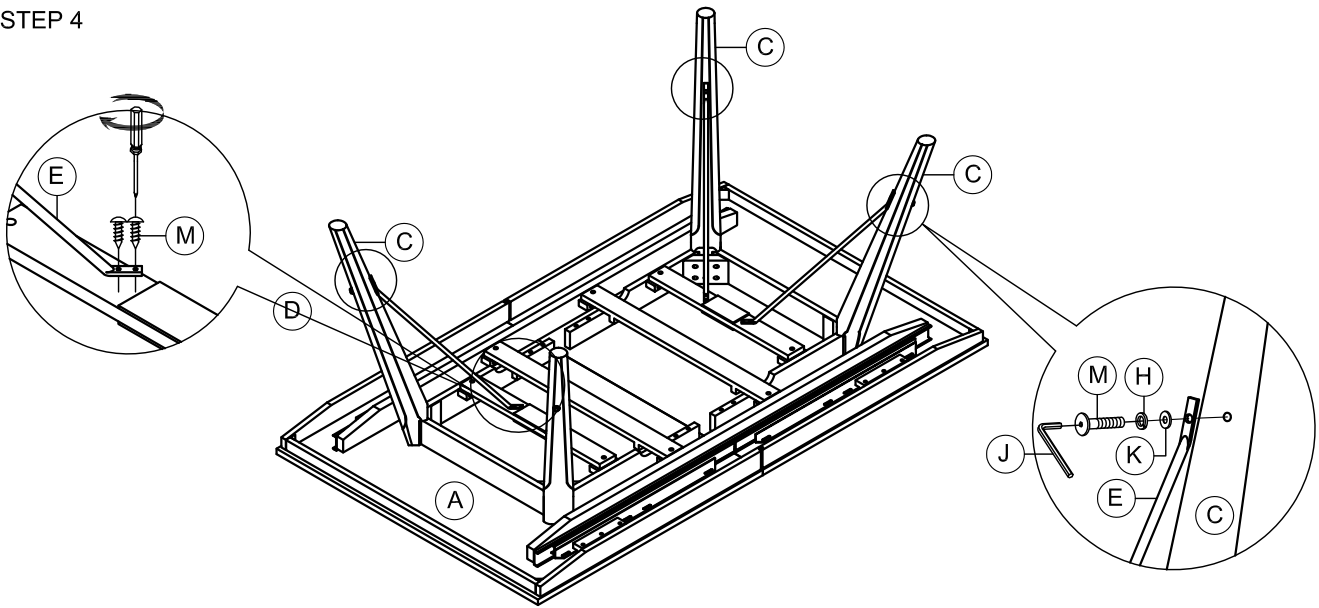
MADE IN VIETNAM

# ASSEMBLY INSTRUCTIONS

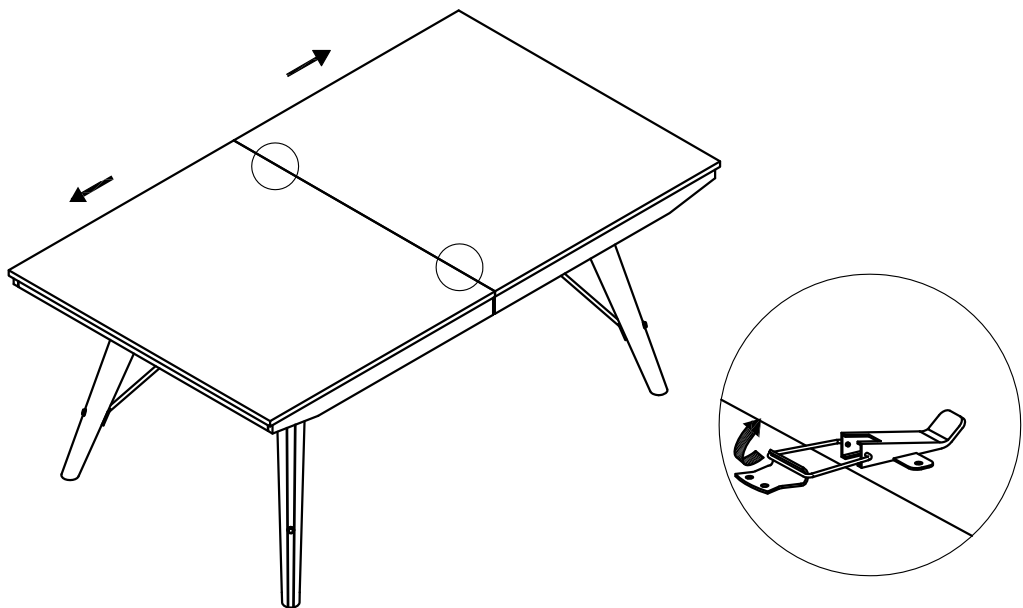
ITEM NO : MR-TA-4290-WWH-C

TRESTLE DINING TABLE

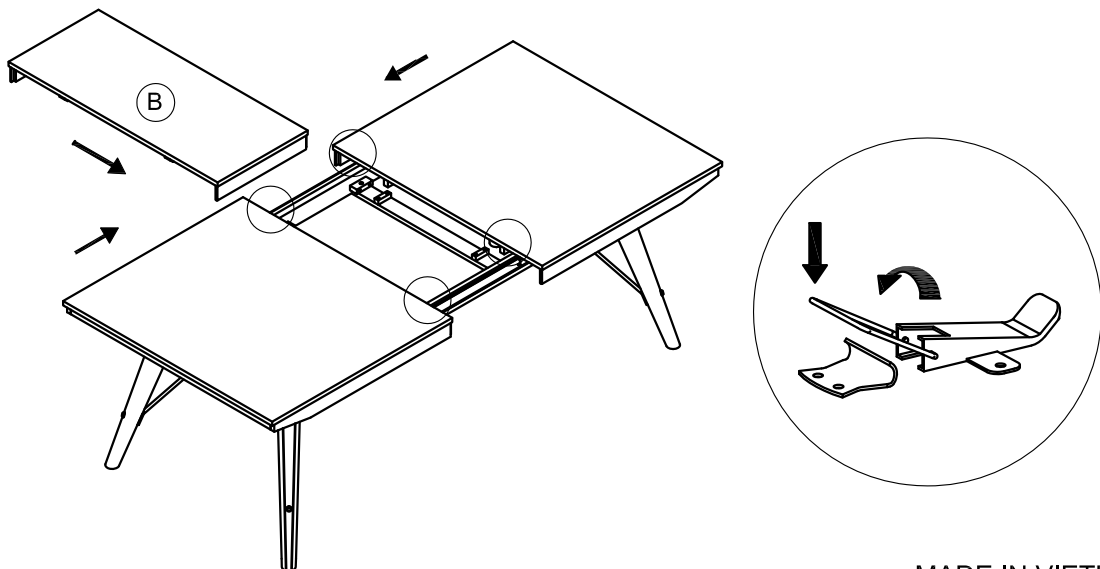
STEP 4



STEP 5



STEP 6



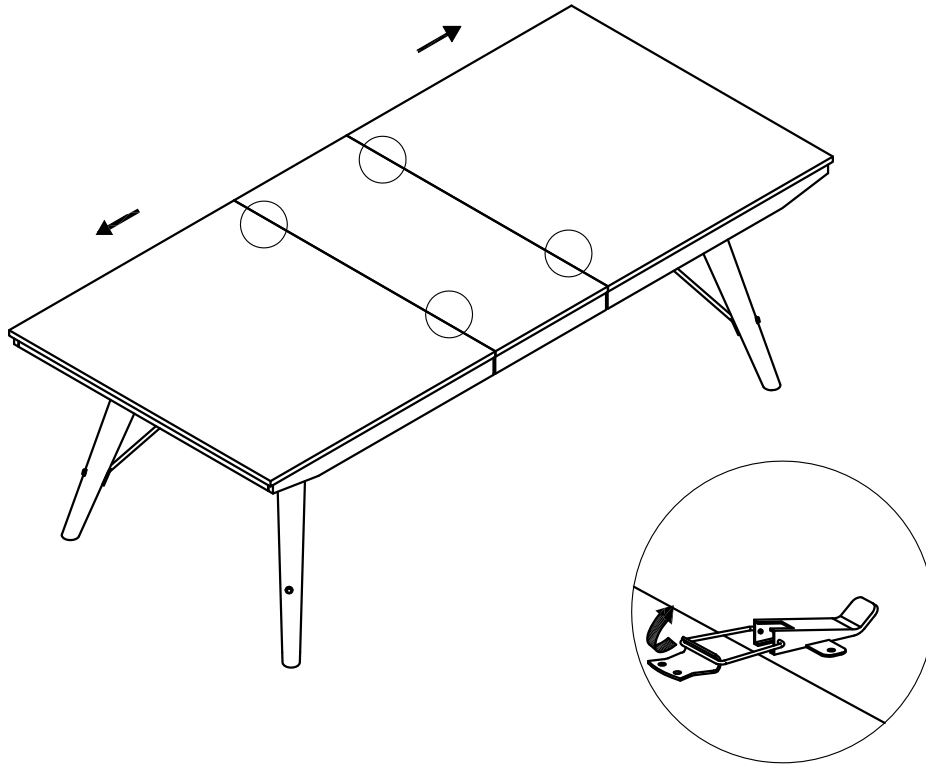
MADE IN VIETNAM

# ASSEMBLY INSTRUCTIONS

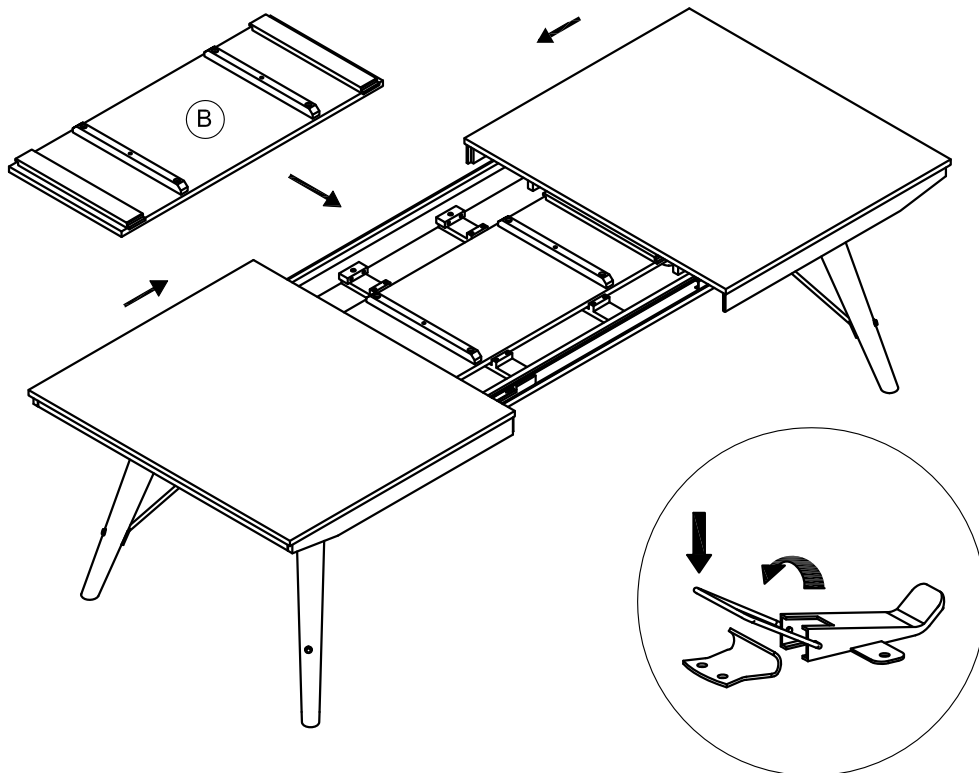
ITEM NO : MR-TA-4290-WWH-C

TRESTLE DINING TABLE

STEP 7



STEP 8



PLEASE TIGHTEN ALL BOLTS FIRMLY AND MAKE SURE THE TABLE DOES NOT WOBBLE

MADE IN VIETNAM