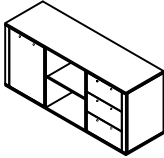
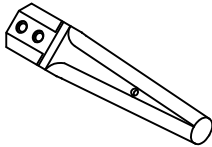
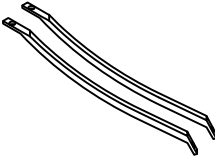
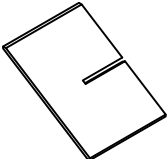


# ASSEMBLY INSTRUCTIONS










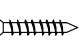
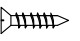
ITEM NO : MR-CA-5836-WWH-C

Thank you for purchasing this quality product. Be sure to check all packing material carefully for small parts that may have come loose inside the carton during shipment. Please keep all hardware out of reach of small children

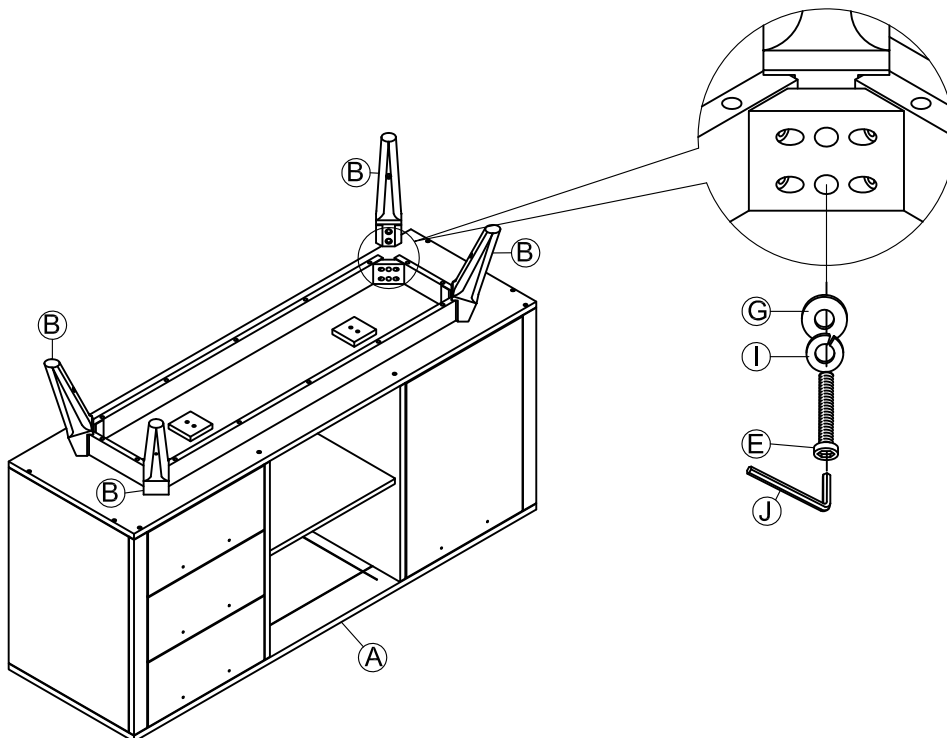
**PARTS LIST :**

NO.	DESCRIPTION	SKETCH	QTY
A	Server		1 pc
B	Leg		4 pcs
C	Metal Pipe (Left - Right)		4 pcs
D	Wine Shelf		2 pcs

**HARDWARE LIST :**

NO.	DESCRIPTION	SIZE	SKETCH	QTY
E	Long Bolt	$\phi 5/16$ "x 57mm		8 pcs
F	Short Bolt	$\phi 1/4$ "x 19mm		8 pcs
G	Flat Washer	$\phi 5/16$ "x $\phi 19$ mm		8 pcs
H	Small Flat Washer	$\phi 1/4$ "x $\phi 12$ mm		8 pcs
I	Spring Washer	$\phi 5/16$ "x $\phi 12$ mm		16 pcs
J	Allen Key			1 pc
K	Wall Mounts	$\phi 9$ x27mm		4 pcs
L	Mounting Plates	47x22x9mm		4 pcs
M	Secure Band	310x12x8mm		2 pcs
N	Screw	$\phi 7$ x $\phi 3.5$ x25mm		4 pcs
O	Screw	$\phi 7$ x $\phi 3.5$ x16mm		4 pcs

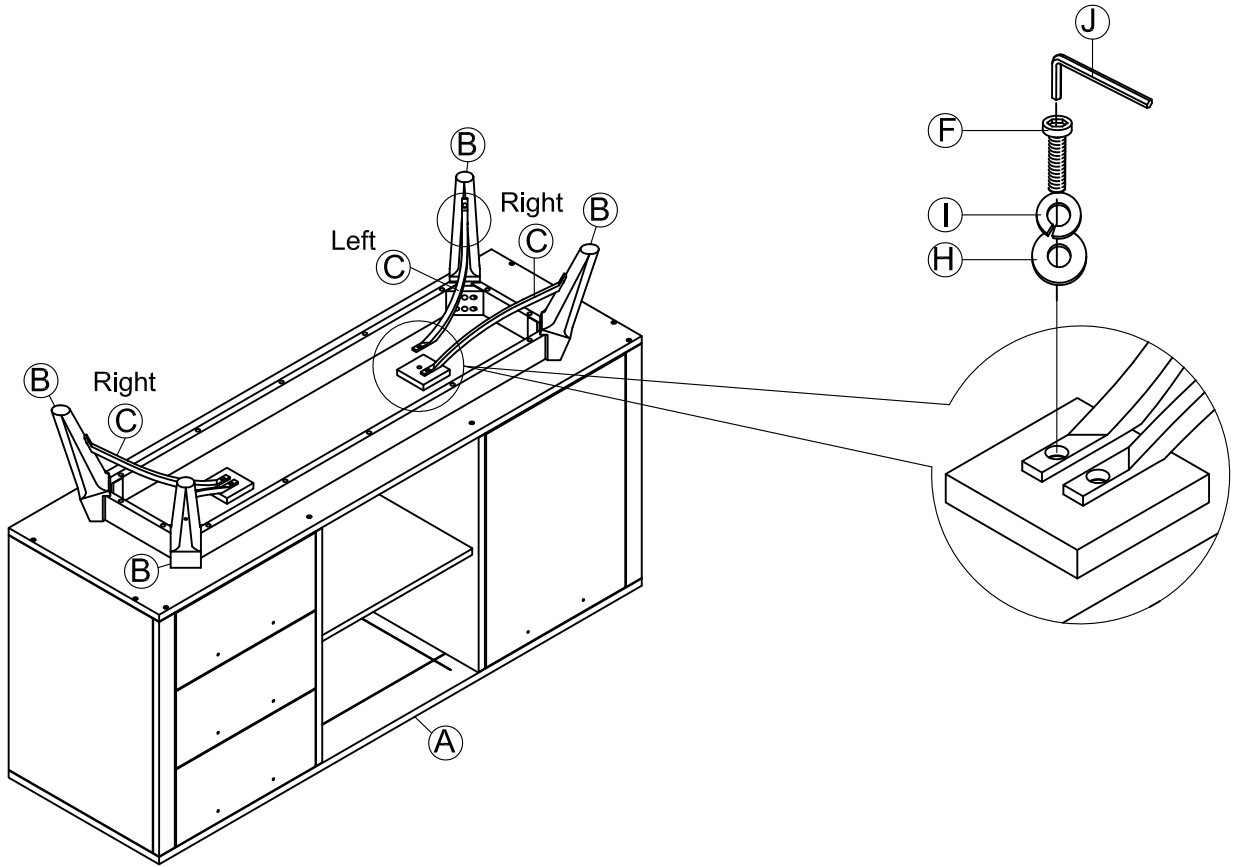
**STEP 1**



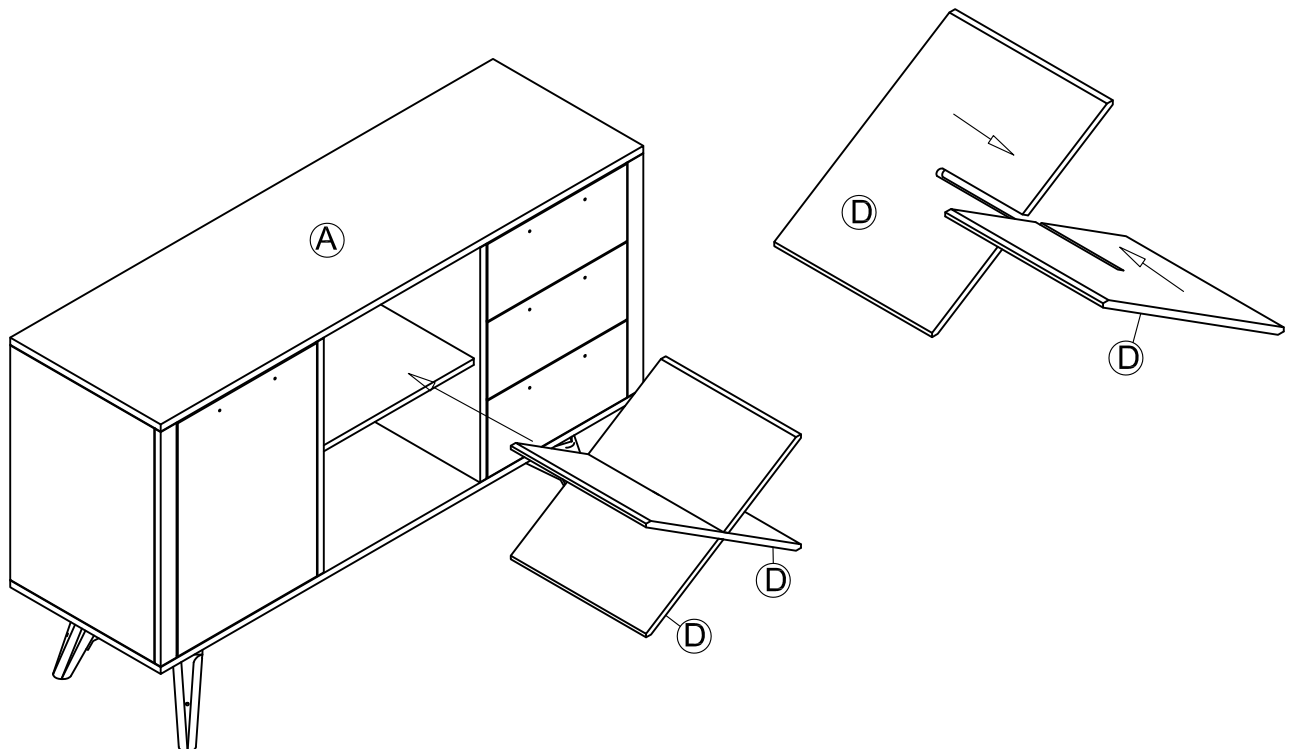
# ASSEMBLY INSTRUCTIONS

ITEM NO : MR-CA-5836-WWH-C

## STEP 2



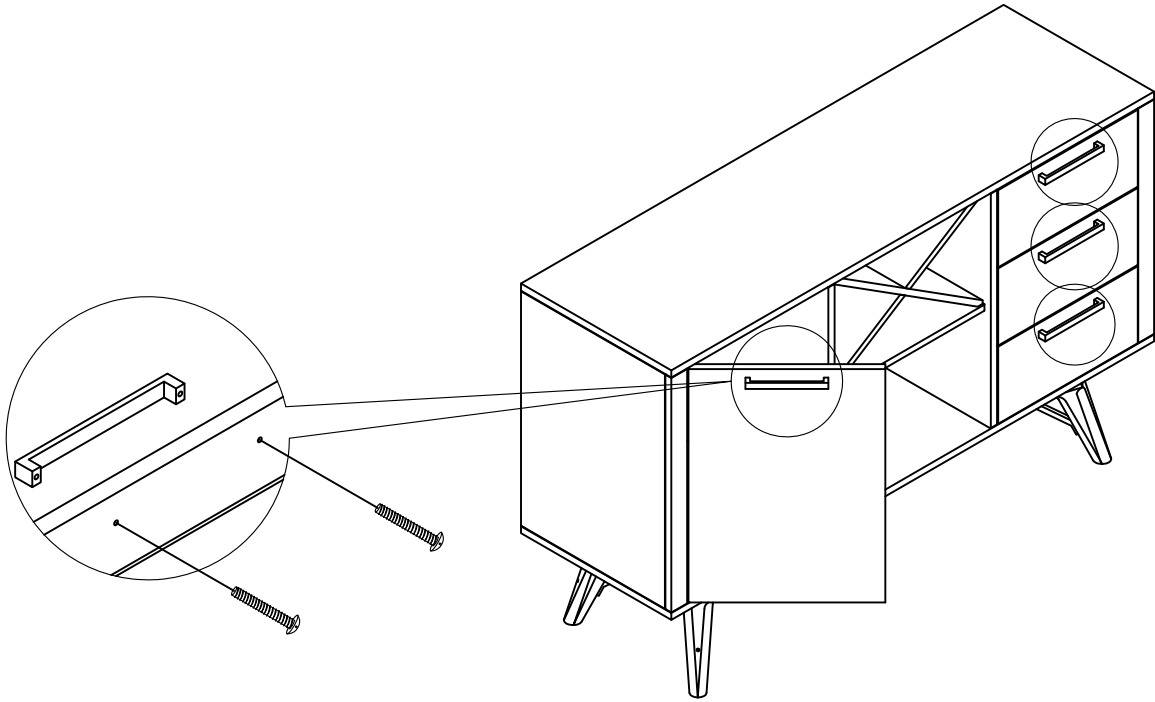
## STEP 3



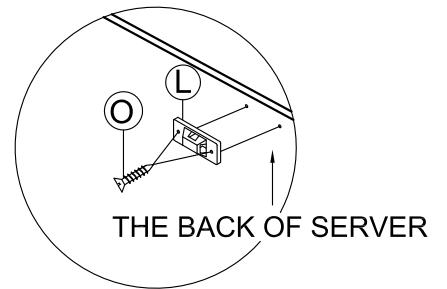
# ASSEMBLY INSTRUCTIONS

ITEM NO : MR-CA-5836-WWH-C

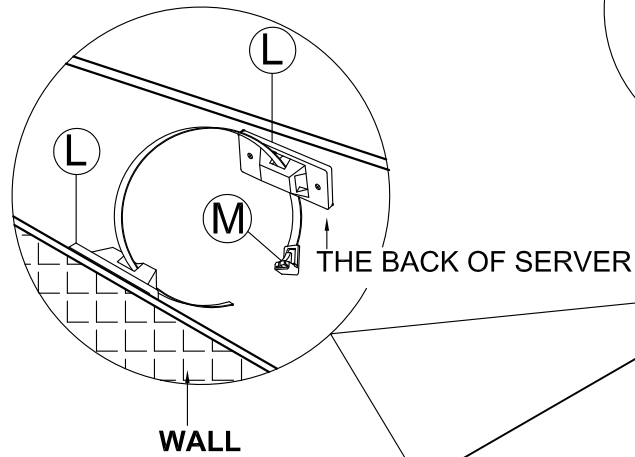
## STEP 4



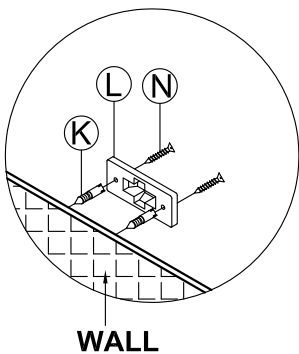
## STEP 5



## STEP 7



## STEP 6



TO INSTALL THE SAFETY WALL STRAP

