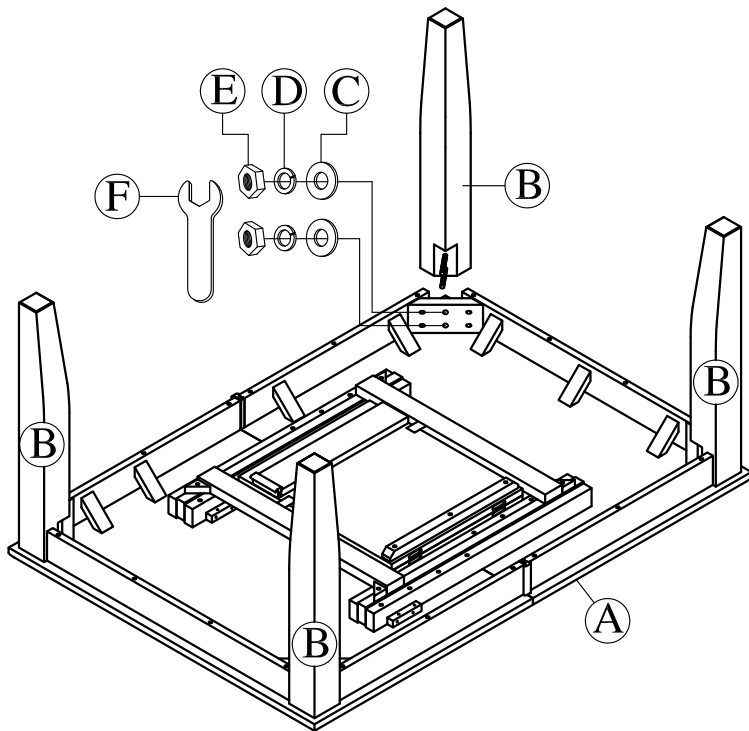


ASSEMBLY INSTRUCTIONS

ITEM NO : KA-TA-4278BP-RAI-C

DINING TABLE

Thank you for purchasing this quality product. Be sure to check all packing material carefully for small parts that may have come loose inside the carton during shipment. Please keep all hardware out of reach of small children



STEP 1

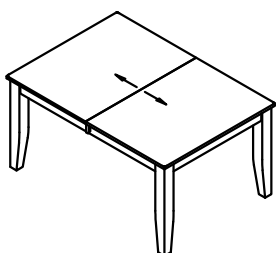
PARTS LIST :

NO.	DESCRIPTION	SKETCH	QTY
A	TABLE TOP		1 pc
B	LEG		4 pcs

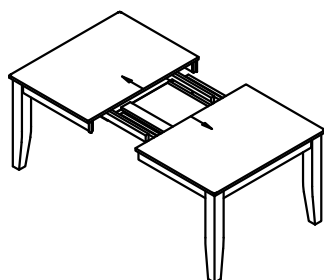
HARDWARE LIST :

NO.	DESCRIPTION	SIZE	SKETCH	QTY
C	Flat Washer	$\phi 5/16$ "x $\phi 19$ mm		8 pcs
D	Spring Washer	$\phi 5/16$ "x $\phi 13$ mm		8 pcs
E	Hex Nut	$\phi 5/16$ "x 12mm		8 pcs
F	Wrench	12mmx75mm		1 pc

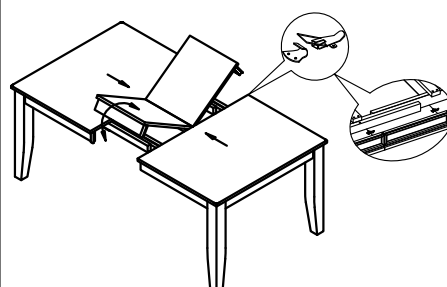
MADE IN VIETNAM



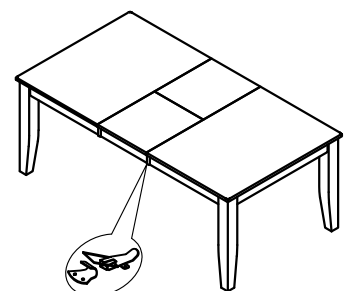
STEP 2



STEP 3



STEP 4



STEP 5