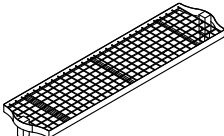
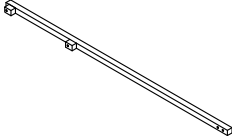
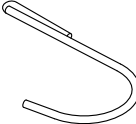


ASSEMBLY INSTRUCTIONS


ITEM NO : KA-CA-RACK -RAI-C

Thank you for purchasing this quality product. Be sure to check all packing material carefully for small parts that may have come loose inside the carton during shipment. Please keep all hardware out of reach of small children

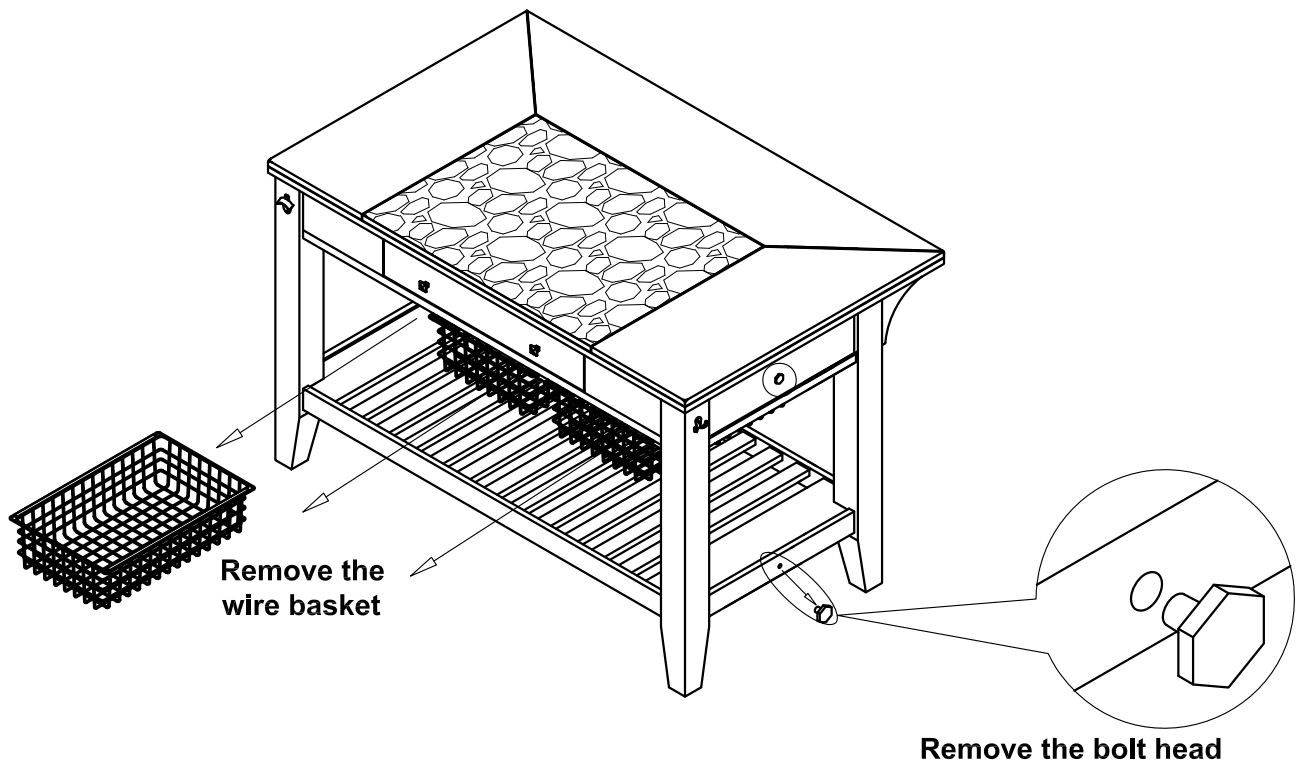
PARTS LIST :

NO.	DESCRIPTION	SKETCH	QTY
A	Pot Rack		1 pc
B	Metal Square Tube		2 pcs
C	Pan Hook		10 pcs

HARDWARE LIST :

NO.	DESCRIPTION	SIZE	SKETCH	QTY
D	Long Bolt	φ5/16"x 75mm		4 pcs
E	Short Bolt	φ5/16"x 25mm		4 pcs
F	Flat Washer	φ5/16"x φ19mm		8 pcs
G	Spring Washer	φ5/16"x φ12mm		8 pcs
H	Allen Key			1 pcs

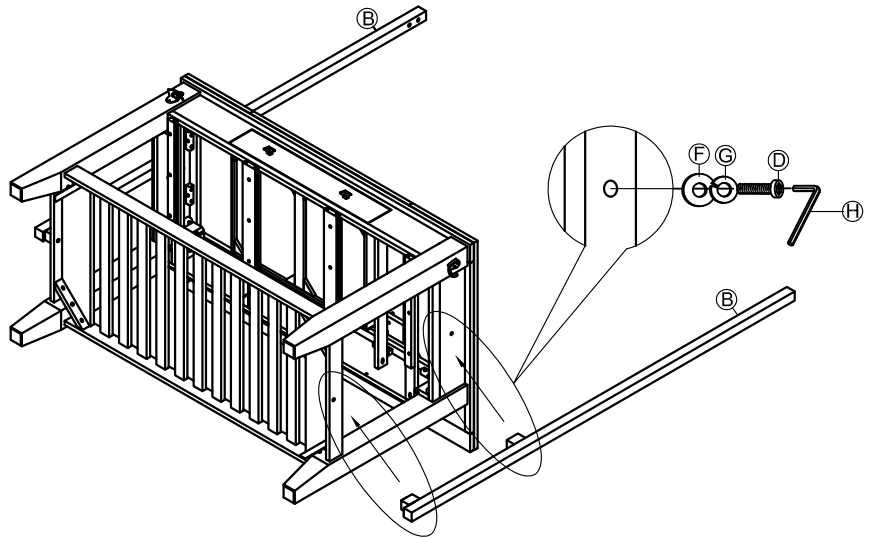
STEP 1



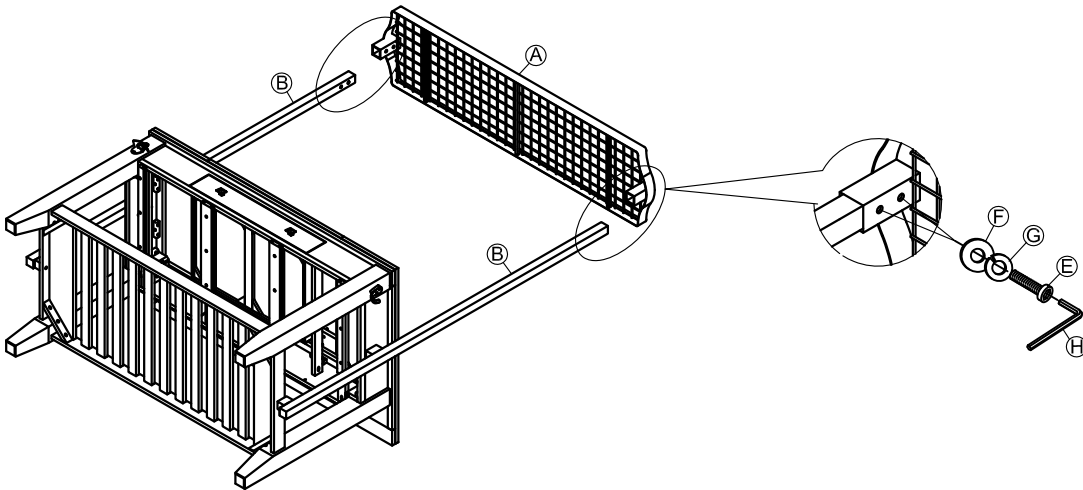
ASSEMBLY INSTRUCTIONS

ITEM NO : KA-CA-RACK -RAI-C

STEP 2



STEP 3



STEP 4

