

ASSEMBLY INSTRUCTIONS

ITEM NO: KG-BS-735C-RAI-K24

24" "X-BACK" STOOL WITH CUSHION SEAT

Thank you for purchasing this quality product. Be sure to check all packing material carefully for small parts that may have come loose inside the carton during shipment. Please keep all hardware out of reach of small children

TOOL NOT INCLUDE IN HARDWARE

Phillips Screwdriver



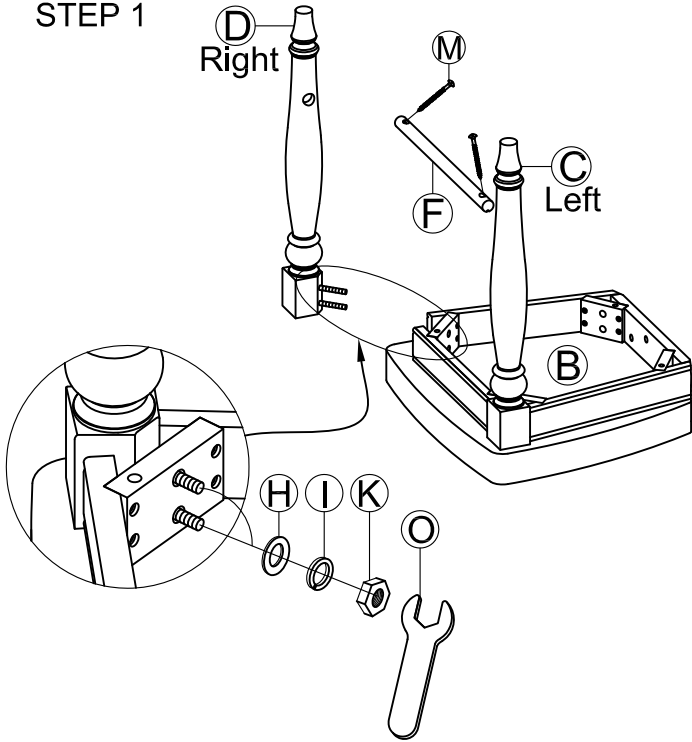
PARTS LIST FOR 2 CHAIRS:

NO.	DESCRIPTION	SKETCH	QTY
A	Chair Back Frame		2 pcs
B	Seat Frame		2 pcs
C	Left Front Leg		2 pcs
D	Right Front Leg		2 pcs
E	Side Stretcher		4 pcs
F	Front Stretcher		2 pcs

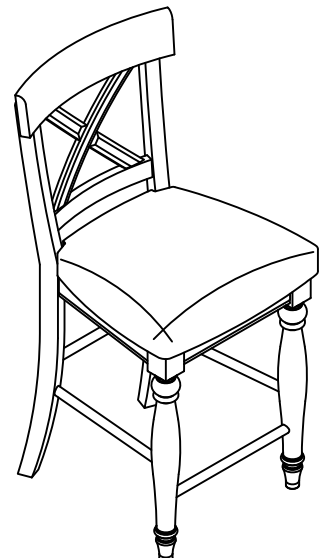
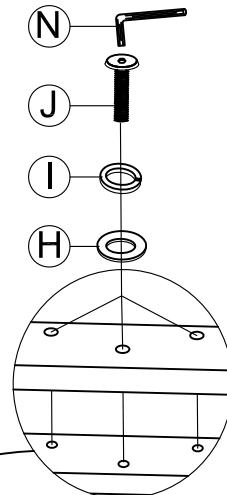
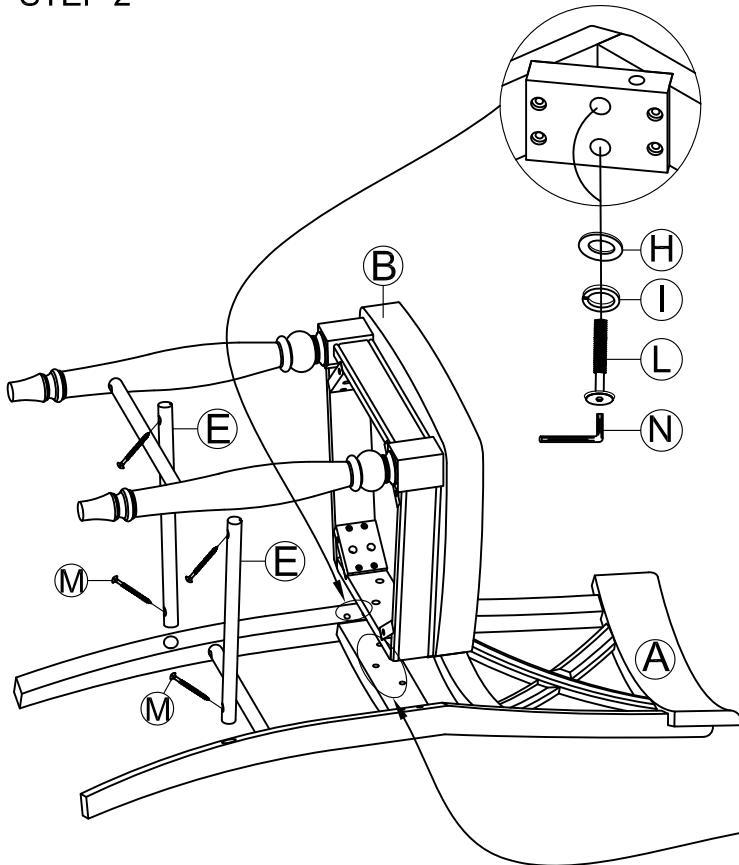
HARDWARE LIST FOR 2 CHAIRS :

NO.	DESCRIPTION	SIZE	SKETCH	QTY
H	Flat Washer	φ5/16"x φ19mm		22 pcs
I	Spring Washer	φ5/16"x φ13mm		22 pcs
J	Short Bolt	φ1/4"x38mm		6 pcs
K	Hex Nut	φ5/16"x12mm		8 pcs
L	Long Bolt	φ1/4"x85mm		8 pcs
M	Screw	φ8mmxφ4mmx38mm		12 pcs
N	Allen key	58mmx23mmx4mm		1 pc
O	Wrench	12mmx75mm		1 pc

STEP 1



STEP 2



MADE IN VIETNAM