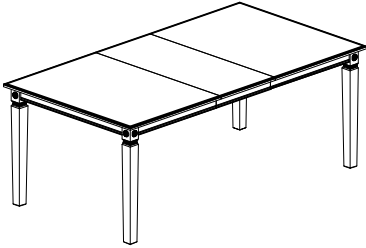


# ASSEMBLY INSTRUCTION

Item No : GW-TA-4278-RBC-C

GW-TA-4278-RWC-C

Description : 42" x 60" x 78" DINING TABLE



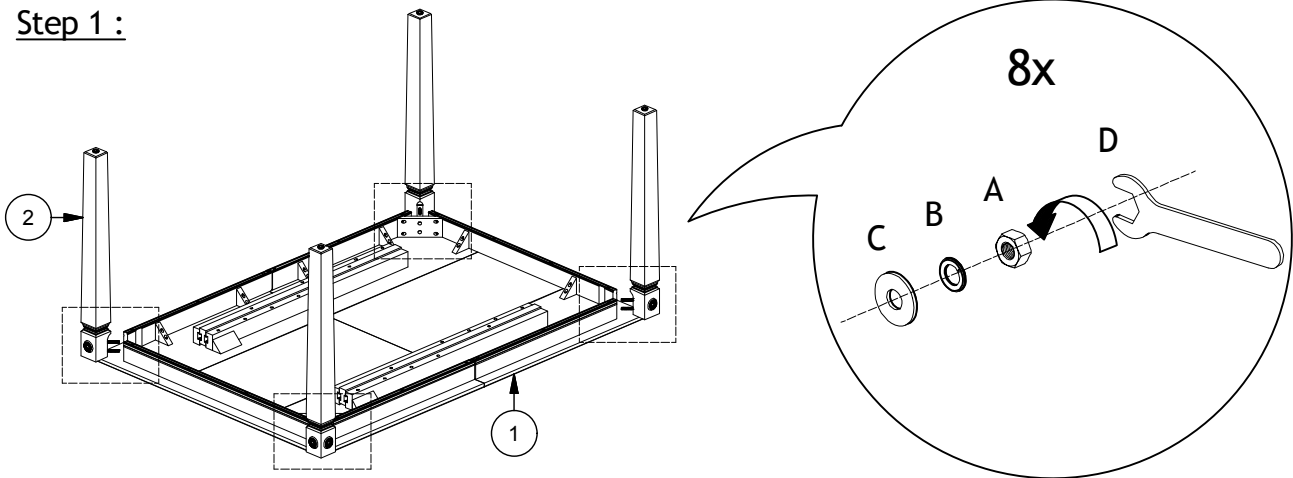
## IMPORTANT NOTE :

- Place all wooden parts on a clean and smooth surface such as a rug or carpet to avoid the parts from being scratched.
- Check to be sure that you have all parts and hardware.
- Remove all wrapping materials, including staples & packing straps before you start to assemble.
- Do not tighten all screws / bolts until all completely assembled.
- Keep all hardware parts out of reach of children.

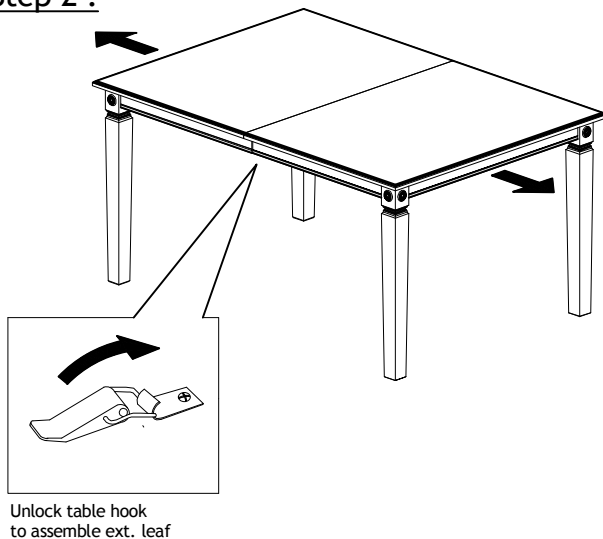
COMPONENT LIST		
NO	DESCRIPTION	QTY/PCS
1	TABLE TOP	1 PC
2	TABLE LEG	4 PCS
3	EXTENSION LEAF	1 PC

HARDWARE LIST		
NO	DESCRIPTION	QTY/PCS
A	HEX NUT 5/16"	8 PCS
B	SPRING WASHER 5/16"	8 PCS
C	FLAT WASHER 5/16" x 22	8 PCS
D	WRENCH 12.8	1 PC

### Step 1 :



### Step 2 :



### Step 3 :

