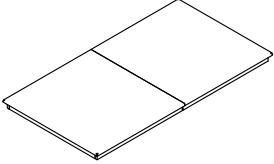
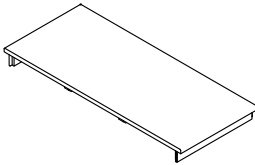
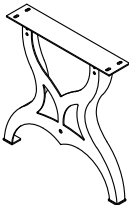
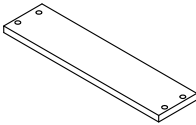
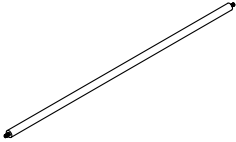
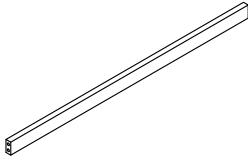
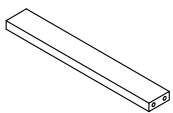


ASSEMBLY INSTRUCTIONS


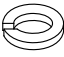
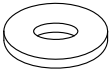
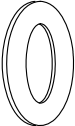

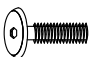
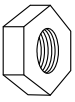
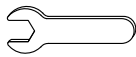
ITEM NO : DT-TA-4296-CCR-TOP
DT-TA-4296M-CCR-BSE

Thank you for purchasing this quality product. Be sure to check all packing material carefully for small parts that may have come loose inside the carton during shipment. Please keep all hardware out of reach of small children

PARTS LIST :

NO.	DESCRIPTION	SKETCH	QTY
A	Table Top		1PC
B	Table Leaf		1PC
C	Metal Legs		2PCS
D	Mounting Plate		2PCS
E	Metal Pipe		1PC
F	Stretcher		2PCS
G	Trestle Bar		1PC

HARDWARE LIST :

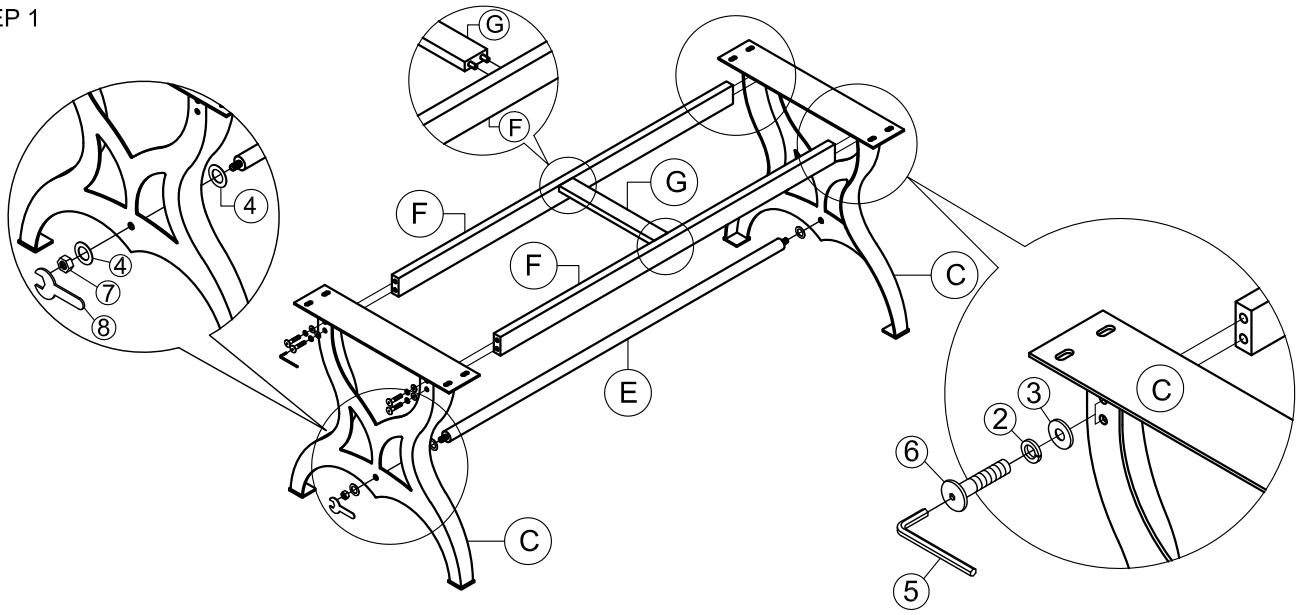
NO.	DESCRIPTION	SIZE	SKETCH	QTY
1	Long Bolt	Ø5/16"x 57		8pcs
2	Spring Washer	Ø5/16"x 12mm		16pcs
3	Flat Washer	Ø5/16"x 19mm		16pcs
4	Flat Washer	Ø1/2"x30x 1 mm		4pcs
5	Allen Wrench	58x 23x 4mm		1 pc
6	Short Bolt	Ø5/16"x 38 mm		8pcs
7	Hex Nut	Ø1/2"x 21		2pcs
8	Wrench	22x 100mm		1PC

MADE IN VIETNAM

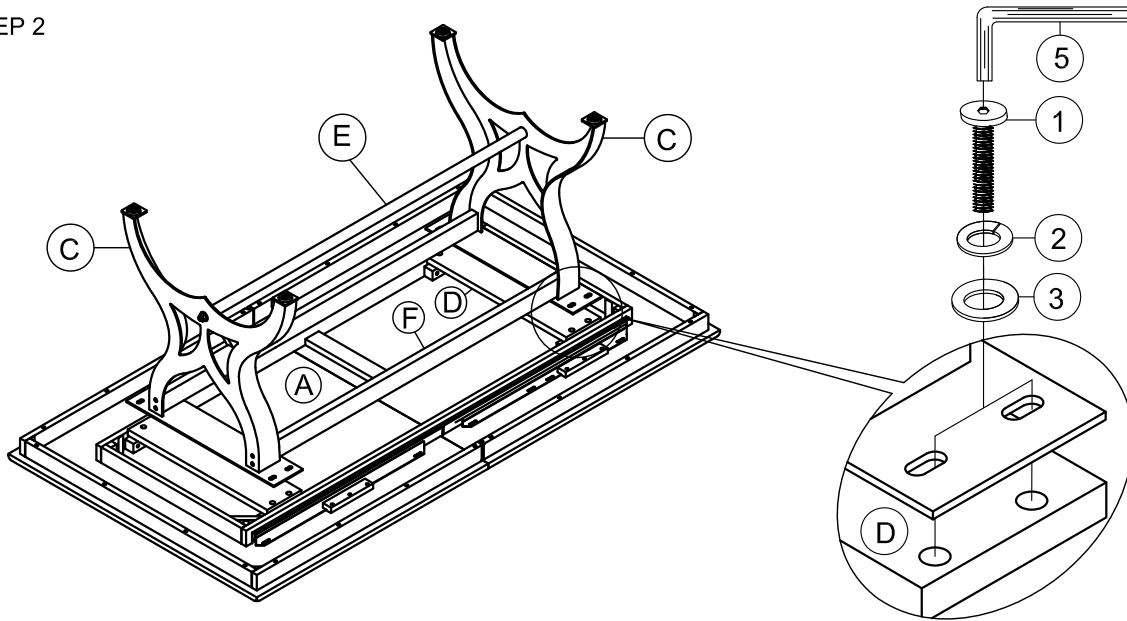
ASSEMBLY INSTRUCTIONS

ITEM NO : DT-TA-4296-CCR-TOP
DT-TA-4296M-CCR-BSE

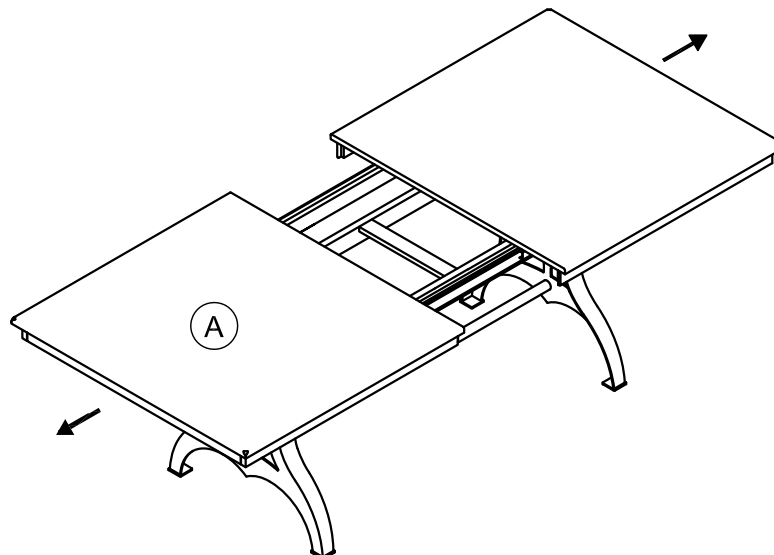
STEP 1



STEP 2



STEP 3

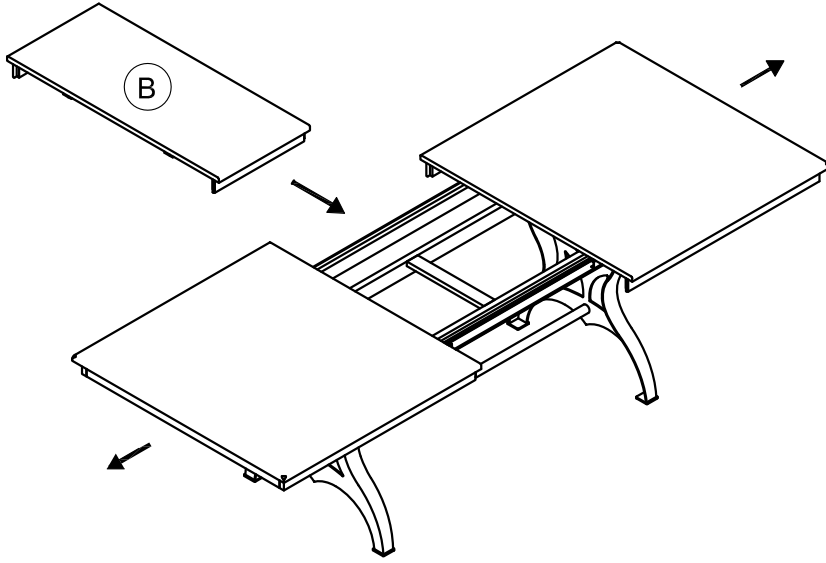


MADE IN VIETNAM

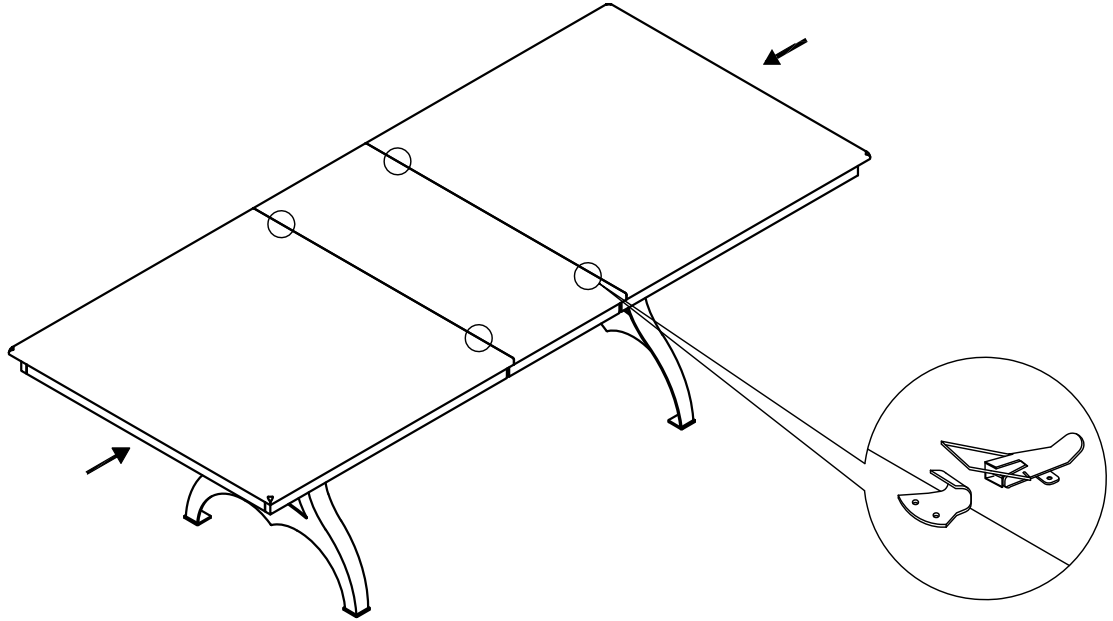
ASSEMBLY INSTRUCTIONS

ITEM NO : DT-TA-4296-CCR-TOP
DT-TA-4296M-CCR-BSE

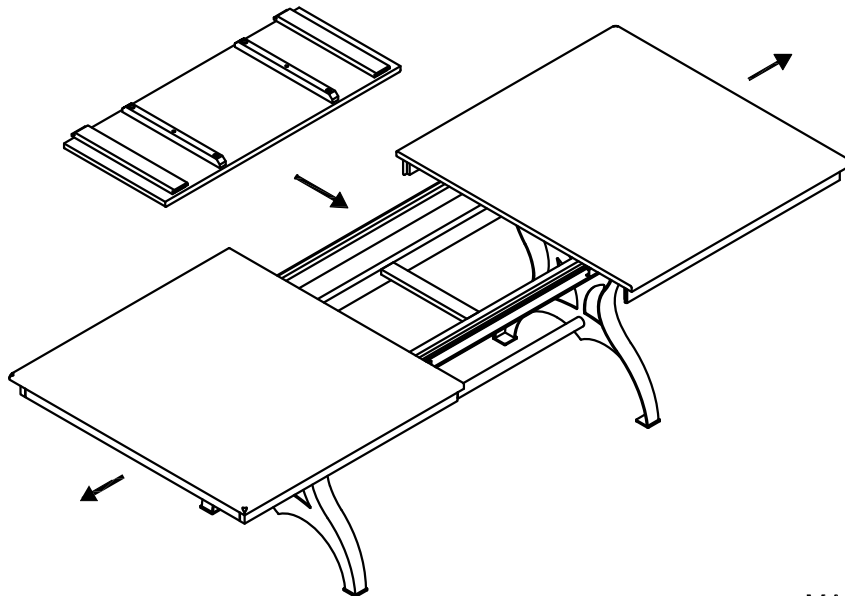
STEP 4



STEP 5



STEP 6



MADE IN VIETNAM