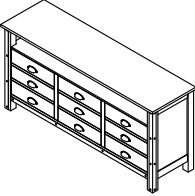


ASSEMBLY INSTRUCTIONS

ITEM NO : DT-HT-6519D-CCR-C

Thank you for purchasing this quality product. Be sure to check all packing material carefully for small parts that may have come loose inside the carton during shipment. Please keep all hardware out of reach of small children

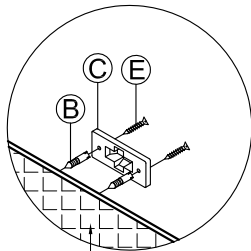
PARTS LIST :

NO.	DESCRIPTION	SKETCH	QTY
A	65" Console		1 pc

HARDWARE LIST :

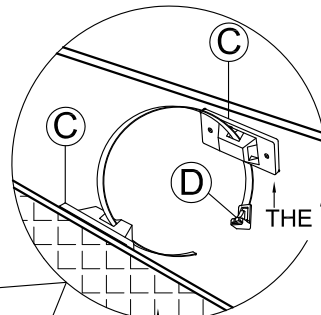
NO.	DESCRIPTION	SIZE	SKETCH	QTY
B	Wall Mounts	$\phi 9 \times 27 \text{mm}$		4 pcs
C	Mounting Plates	47x22x9mm		4 pcs
D	Secure Band	310x12x8mm		2 pcs
E	Screw	$\phi 7 \times \phi 3.5 \times 25 \text{mm}$		4 pcs
F	Screw	$\phi 7 \times \phi 3.5 \times 16 \text{mm}$		4 pcs

STEP 1



WALL

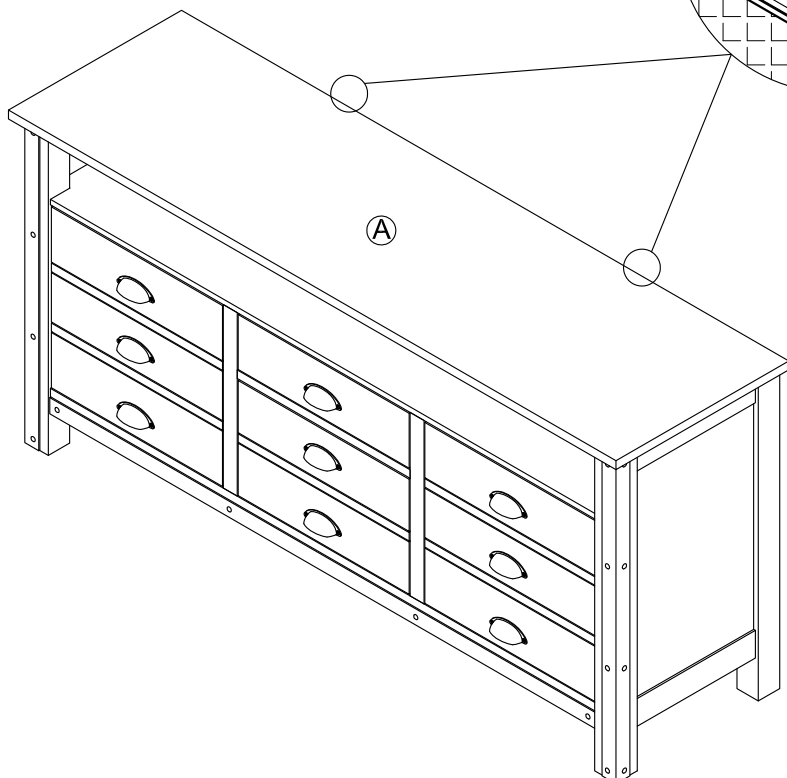
TO INSTALL THE SAFETY WALL STRAP



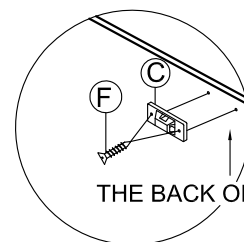
STEP 3

THE BACK OF 65" Console

WALL



STEP 2



THE BACK OF 65" Console

MADE IN VIETNAM