

Assembly Instructions

Thank you for purchasing this quality product. Carefully check all packing material for small parts which may have come loose inside the carton during shipment. Keep all hardware out of the reach of children. Study all of the instructions and drawings carefully before assembly. Check that all of the connections are tight and the product does not wobble before using.

Model: CO-TA-I4296-TOP 42"x 60"-96" Trestle Top
Model: CO-TA-I4296-BSE 42" x60"-96" Trestle Base

Step 1. Turn the pedestal upside down. Do not remove the plastic bolt protectors for this step. Connect the bridge between two pedestals by using four Nuts, four Flat Washers and two Lock Washers provided. Tighten all nuts firmly with the wrench provided. (Figure 1)

Step 2. Remove the plastic bolt protectors from the hanger bolts on the legs. Attach each leg to the pedestal using eight Nuts, eight Flat Washers and eight Lock Washers and tighten firmly with the wrench provided. (Figure 1)

Step 3. Turn the assembled pedestal base right side up and place it in your desired location. Adjust the leg levelers at the bottom of each leg so that the pedestal remains solid without rocking. Remove the plastic bolt protectors before doing the next step.(Figure 3)

Please remove 2pcs metal brackets secured the slides to the bottom of the top before the next step. (Figure 2)





Step 4. Place the open table top over the pedestal and align the holes in the table mounting boards with the bolts on the pedestal. Set the table down on the top of the pedestal. (Figure 3)

Step 5. Attach the pedestal to the mounting board as shown using six Nuts, six Flat Washers and six Lock Washers. Tighten all nuts firmly with the wrench provided. (Figure 3)

Step 6. Close the table top gently and latch all locks on the bottom of the table top.

***Check that all legs are tight and the table does not wobble before using.**

Note: To extend the table, unlatch the locks on the bottom of the table top. Pull the table top apart gently and place the leaves into the open table top. Latch all locks on the bottom of the table top

HARDWARE CHECK LIST		
Quantity	PART NAME	
18	Nut	
18	Flat Washer	
18	Lock Washer	
1	Wrench	

PARTS CHECK LIST	
Quantity	PART NAME
1	Top
2	Leaf
2	Pedestal
1	Bridge
4	Leg

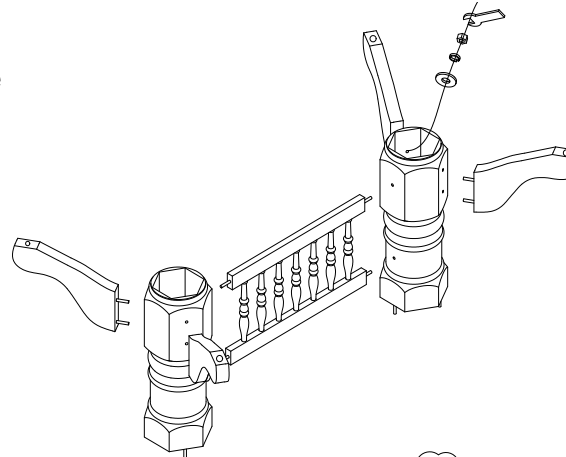


Figure 1

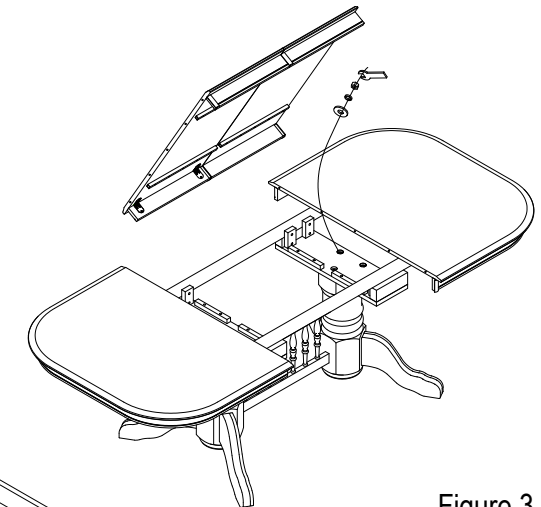


Figure 3

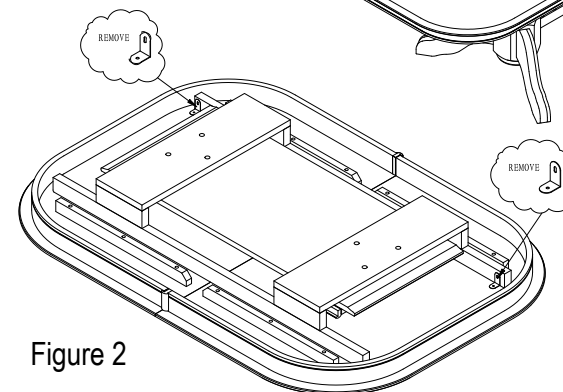


Figure 2