

# Assembly Instructions

**MODEL: CO-TA-I4260 BRU-TOP 42"X42"-60" Pedestal Top**

**MODEL: CO-TA-I4260-BRU -BSE 42"X42"-60" Pedestal Base**

Thank you for purchasing this quality product. Carefully check all packing material for small parts which may have come loose inside the carton during shipment. Keep all hardware out of the reach of children. Study all of the instructions and drawings carefully before assembly. Check that all of the connections are tight and the product does not wobble before using.

**Step 1.** Turn the pedestals up side down. Do not remove the plastic bolt protectors for this step.(Figure 1)

**Step 2.** Remove the plastic bolt protectors from the hanger bolts on the legs. Attach each leg to the pedestal using eight Nuts, eight Flat Washers and eight Lock Washers and tighten all nuts firmly with the wrench provided. (Figure 1)

**Step 3.** Turn the assembled pedestal right side up and place it in your desired location. Adjust the leg levellers at the bottom of each leg so that the pedestal remains solid without rocking. Remove the plastic bolt protectors before doing the next step.

**Step 4.** Place the open table top over the pedestal and align the holes in the table mounting boards with the bolts on the pedestal. Set the table down on the top of the pedestal. (Figure 2)





**Step 5.** . Attach the pedestal to the mounting board as shown using four Nuts, four Flat Washers and four Lock Washers. Tighten all nuts firmly with the wrench provided.(Figure 2)

**Step 6.** Close the table top gently and latch all locks on the bottom of the table top.

**\*Check that all connections are tight and the table does not wobble before using.**

**Note:** To extend the table, unlatch the locks on the bottom of the table top. Pull the table top straight up and push the leaves into

PARTS CHECK LIST	
Quantity	PART NAME
1	Table Top
4	Leg
1	Leaf
1	Pedestal

HARDWARE CHECK LIST	
Quantity	PART NAME
12	Nut 
12	Flat Washer 
12	Lock Washer 
1	Wrench 

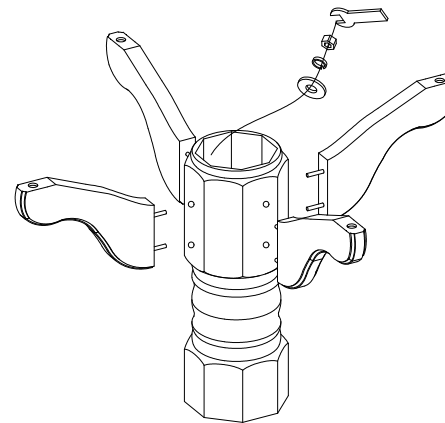


Figure 1

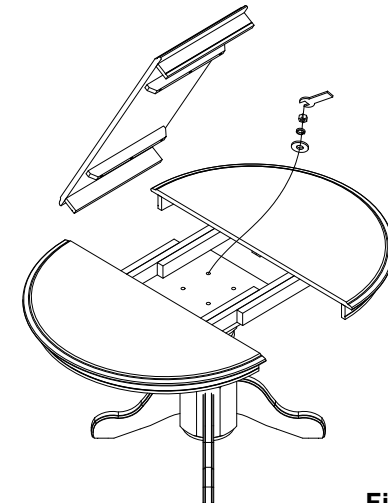


Figure 2