



ITCO

ASSEMBLY INSTRUCTIONS

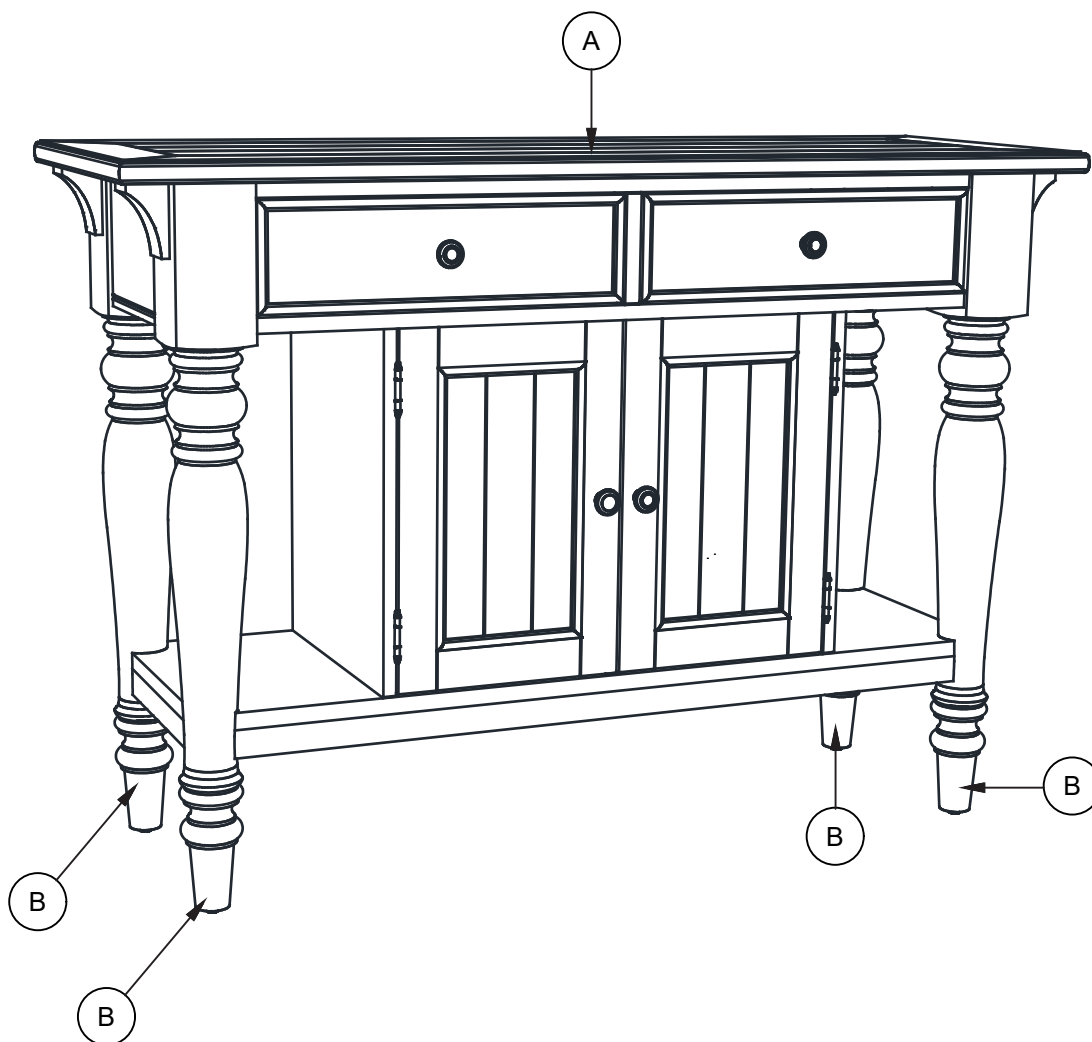
ITEM : 4064-5236 / BI-CA-R5236-BCO-C

DESCRIPTION : 52" Server

SKU: 43840645

Thank you for purchasing this quality product. Be sure to check all packing material for small parts which may have come loose inside carton during shipment. Identify and count all parts and compare with the hardware list as below:

	No.	Description	Qty
Parts List	A	Case Pieces	1 Pc
	B	Bunt Foot	4 Pcs

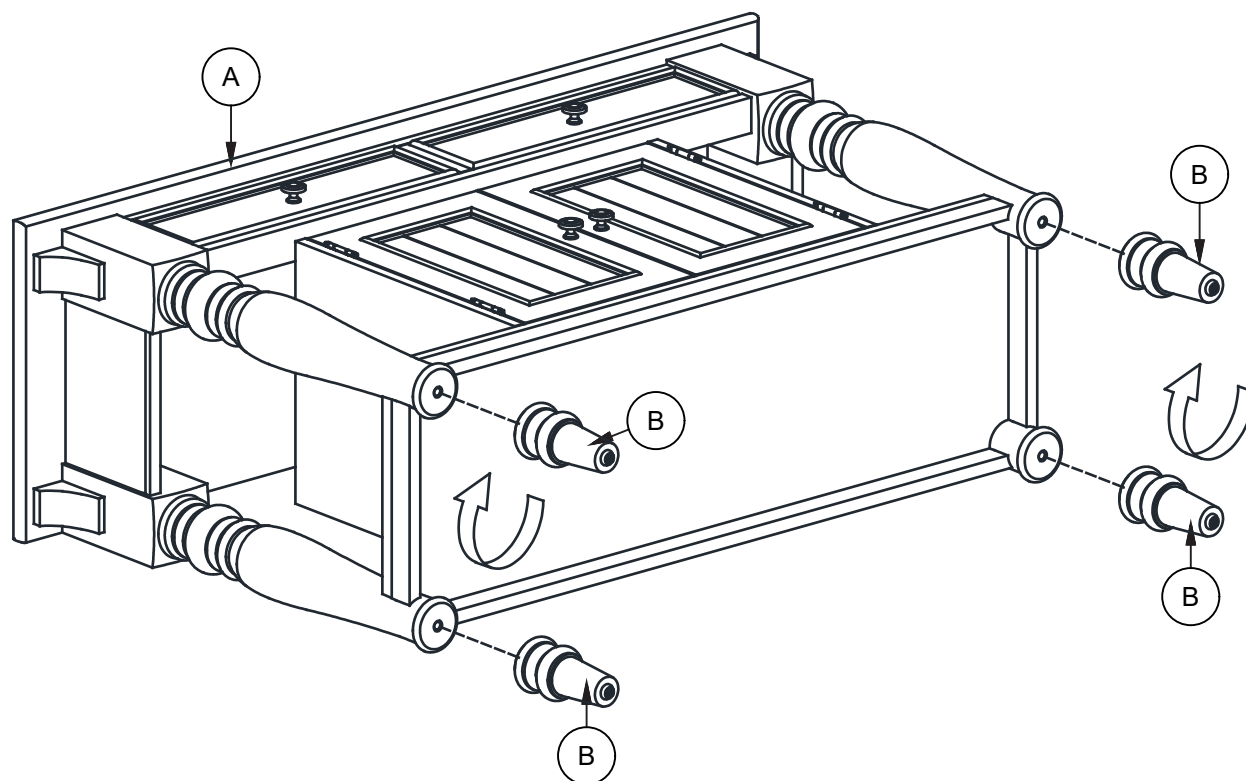


COMPLETE ASSEMBLY!

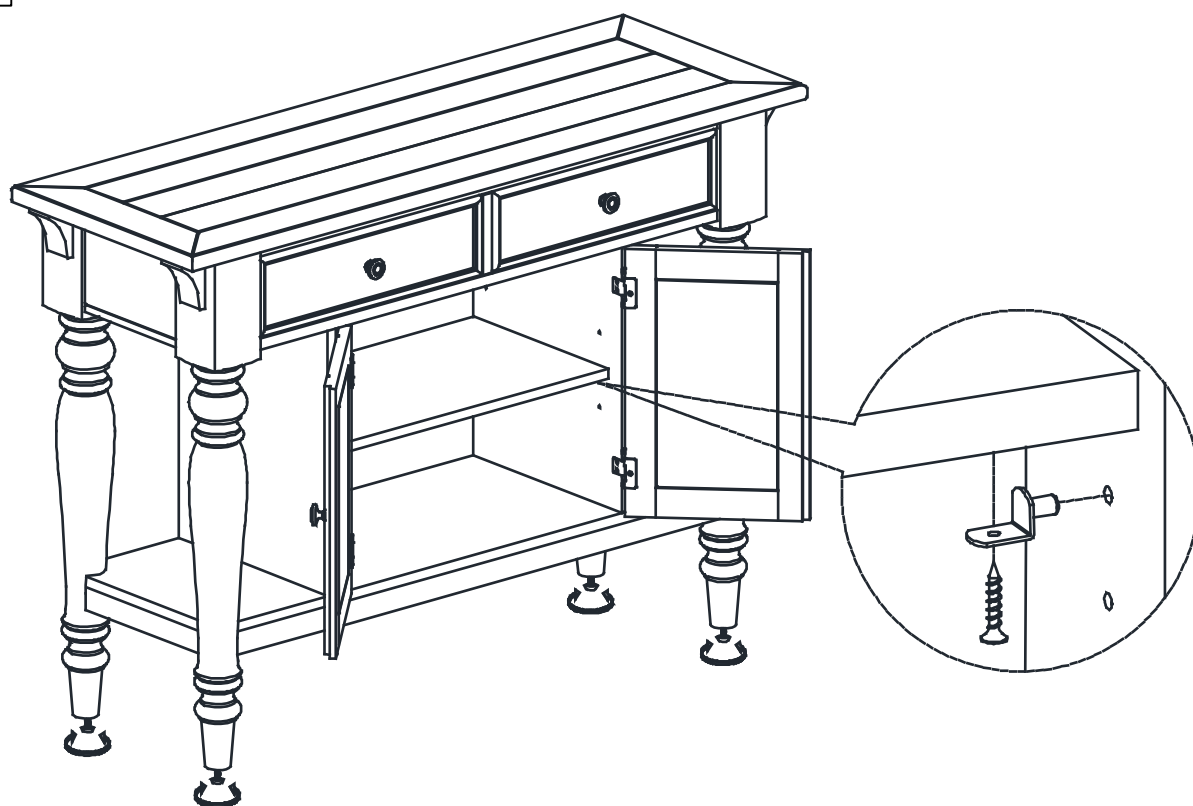
PARTS DETAIL

Assembly steps

STEP 1



STEP 2



NOTE :

To ensure that table is levelled, assemble the table on flat & soft surface. DO NOT tighten all the screws & bolts until the table been adjust & level all the legs so that they do not wobble. Once adjusted then only tighten all the screws using Allen Key while making sure the unit remain level.