



ITCO

ASSEMBLY INSTRUCTIONS

ITEM : 4064-35L / BI-BS-R35C-BCO-K24

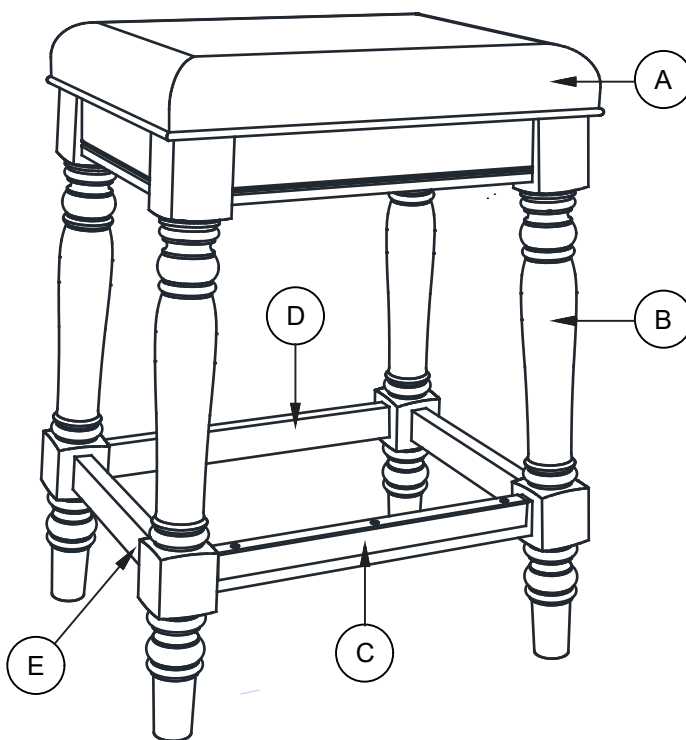
DESCRIPTION : BarStool, 24" Backless

SKU: 43440647

Thank you for purchasing this quality product. Be sure to check all packing material for small parts which may have come loose inside carton during shipment. Identify and count all parts and compare with the hardware list as below:

	No.	Picture	Description	Dimension	Qty
Hardware List	①		Allen Bolt With Washer	Ø5/16" x 18 x 2 1/2"	8 Pcs
	②		Wood Screw	M4 x P0.7 x 45mm	8 Pcs
	③		Allen Key (M4)		1 Pc
	④		Glue		1 Pc

	No.	Description	Qty
Parts List	A	Box Frame With Seat	1 Pc
	B	Chair leg	4 Pcs
	C	Front Stretcher	1 Pc
	D	Back Stretcher	1 Pc
	E	Side Stretcher	2 Pcs



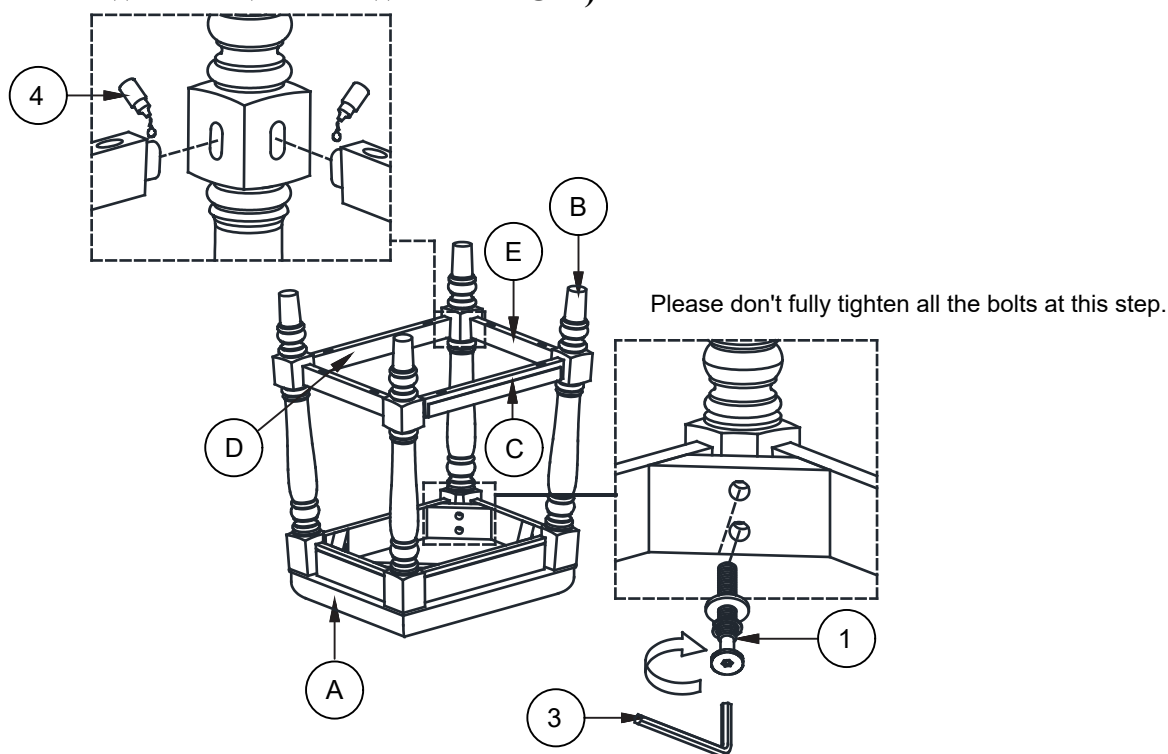
COMPLETE ASSEMBLY!

PARTS DETAIL

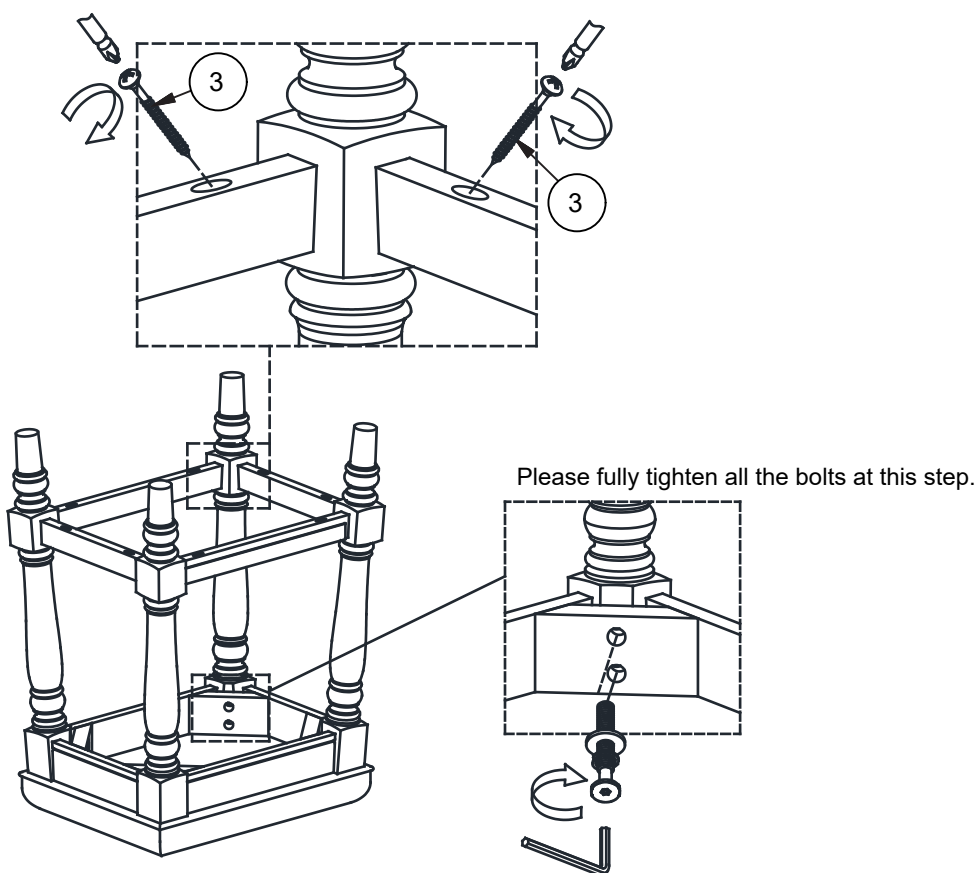
Assembly steps

STEP 1

(NOTE: USE HARDWARE IN HARDWARE PACK)



STEP 2



NOTE :

To ensure that table is levelled, assemble the table on flat & soft surface. DO NOT tighten all the screws & bolts until the table been adjust & level all the legs so that they do not wobble. Once adjusted then only tighten all the screws using Allen Key while making sure the unit remain level.