

ASSEMBLY INSTRUCTION

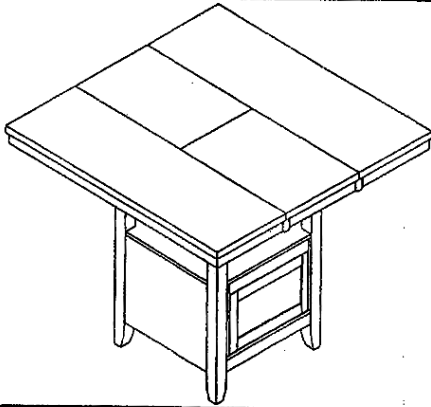
For Model :

AR - TA - 5454GI - BLJ - TOP/BSE

AR - TA - 5454GI - JAV - TOP/BSE

AR - TA - 5454GI - WHJ - TOP/BSE

Description : W:54" x L:36" + 18" x H:36" Butterfly Gathering Island With Pedestal Box



IMPORTANT NOTE :

- Place all wooden parts on a clean and smooth surface such as a rug or carpet to avoid the parts from being scratched.
- Check to be sure that you have all parts and hardware.
- Remove all wrapping materials, including staples & packing straps before you start to assemble.
- Do not tighten all screws / bolts until all completely assembled.
- Keep all hardware parts out of reach of children.

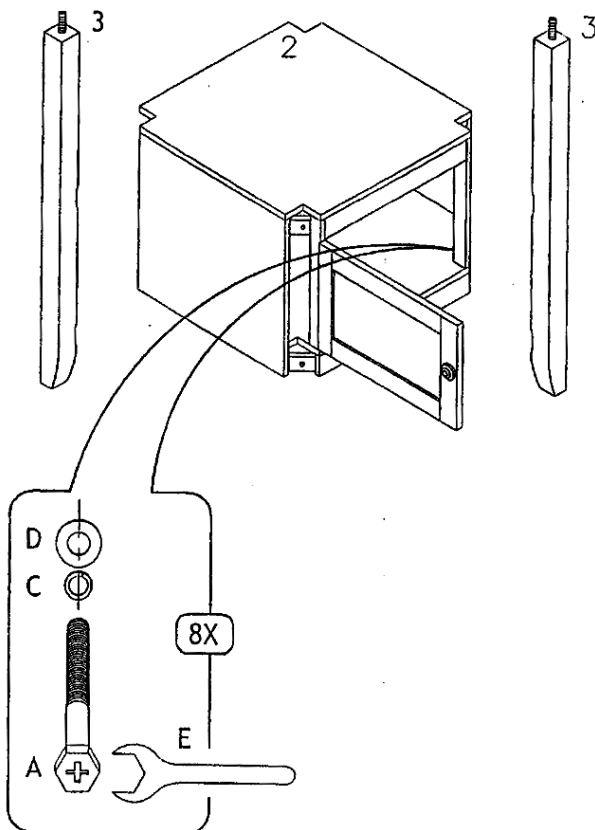
PARTS LIST

NO	DESCRIPTION	QTY
1	TABLE TOP	1 PC
2	STORAGE BOX	1 PC
3	LEG	4 PCS

HARDWARE LIST

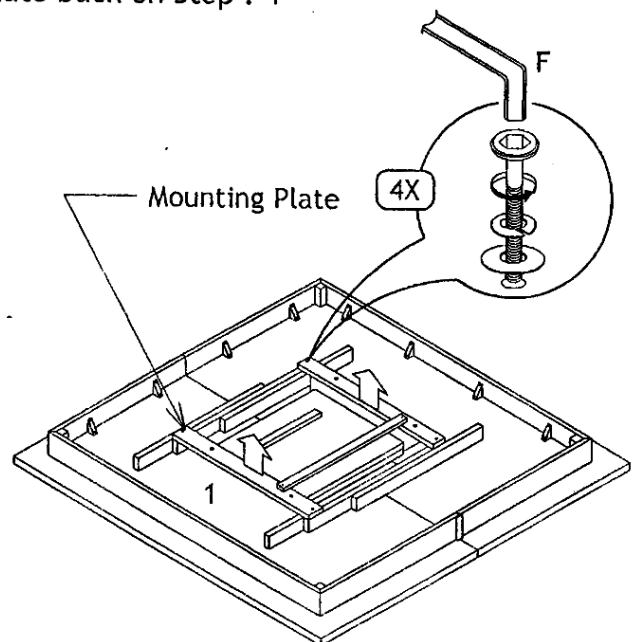
NO	DESCRIPTION	QTY
A	HEXAGON SCREW Ø8 x 75mm	8 PCS
B	HEXAGON NUT Ø8 x 12mm	4 PCS
C	SPRING WASHER Ø8 x 15mm	12 PCS
D	FLAT WASHER Ø8 x 22mm	12 PCS
E	WRENCH 12.8mm	1 PC
F	ALLEN KEY M4	1 PC

Step : 1



Step : 2

Remove the mounting plate from the table top (1).As shown.
Retain hardware to attach mounting plate back on Step : 4



ASSEMBLY INSTRUCTION

For Model :

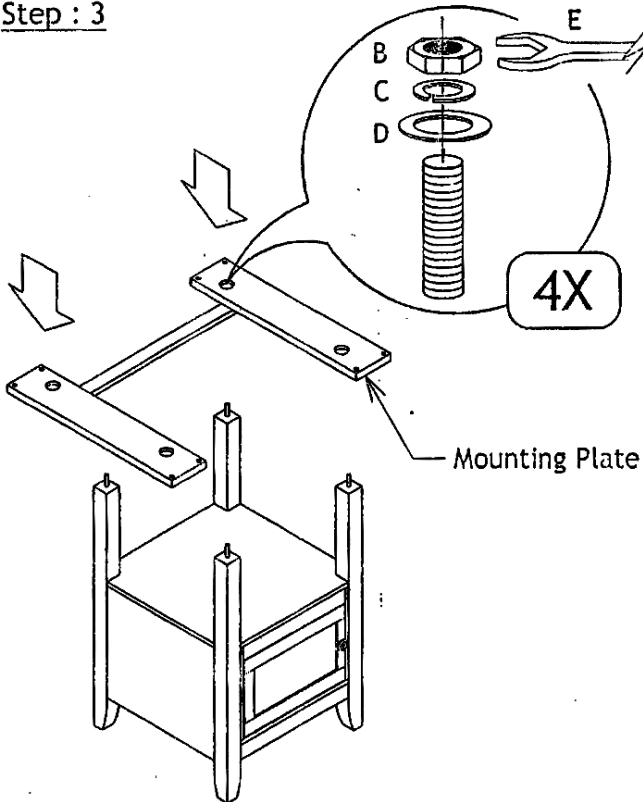
AR - TA - 5454GI - BLJ - TOP/BSE

AR - TA - 5454GI - JAV - TOP/BSE

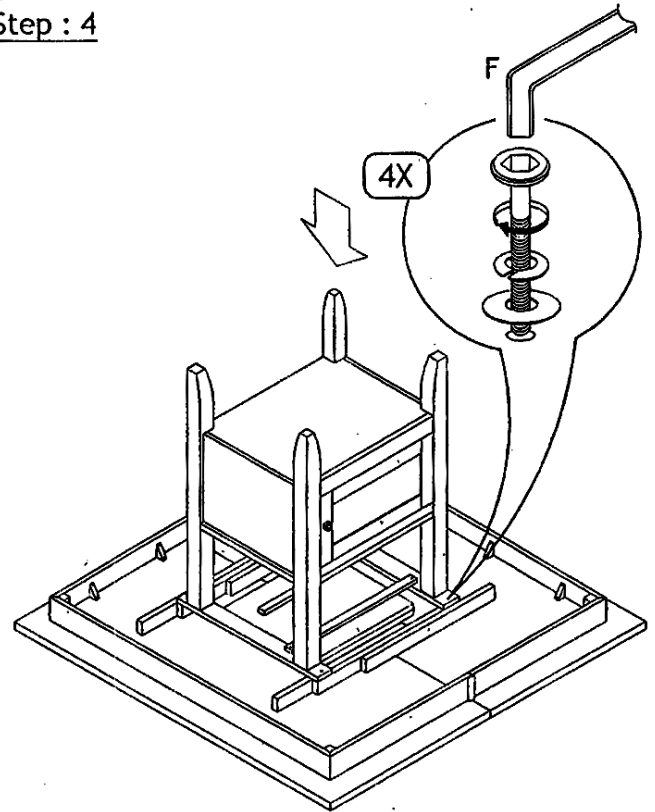
AR - TA - 5454GI - WHJ - TOP/BSE

Description : W:54" x L:36" + 18" x H:36" Butterfly
Gathering Island With Pedestal Box

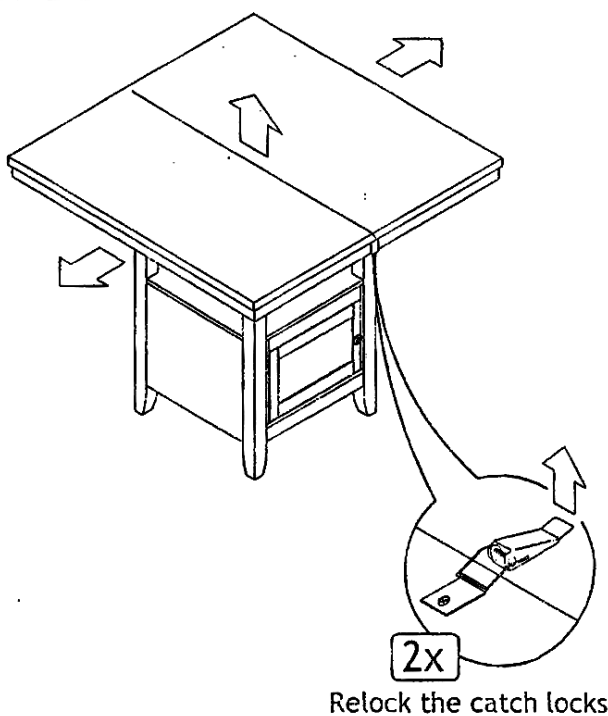
Step : 3



Step : 4



Step : 5



Step : 6

