

# ASSEMBLY INSTRUCTION

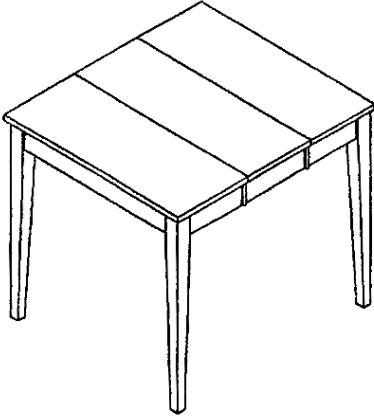
For Model :

AR - TA - 5454G - BLJ - C

AR - TA - 5454G - JAV - C

AR - TA - 5454G - WHJ - C

Description : Extension Pub Table



## IMPORTANT NOTE :

- Place all wooden parts on a clean and smooth surface such as a rug or carpet to avoid the parts from being scratched.
- Check to be sure that you have all parts and hardware.
- Remove all wrapping materials, including staples & packing straps before you start to assemble.
- Do not tighten all screws / bolts until all completely assembled.
- Keep all hardware parts out of reach of children.

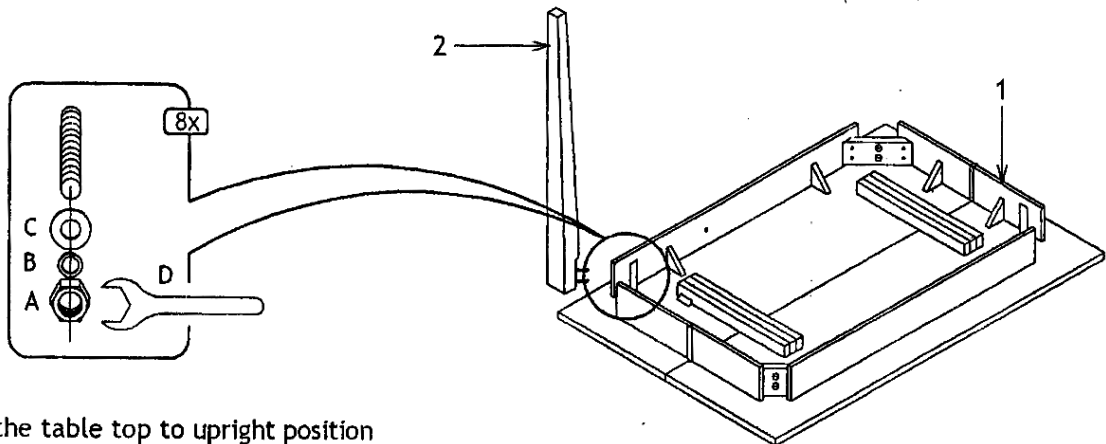
## COMPONENT LIST

NO	DESCRIPTION	QTY
1	TABLE TOP	1 PC
2	TABLE LEG	4 PCS

## HARDWARE LIST

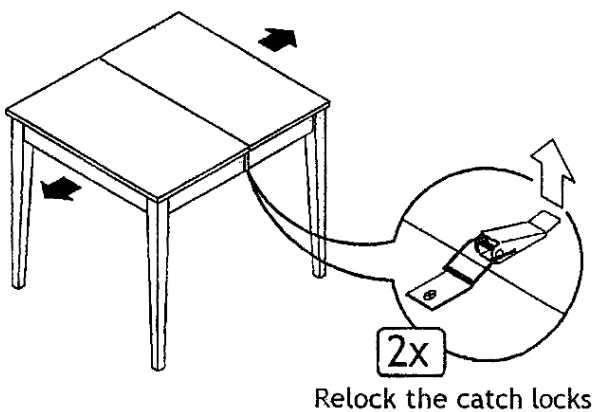
NO	DESCRIPTION	QTY
A	HEXAGON NUT Ø8 x 12mm	8 PCS
B	SPRING WASHER Ø8 x 15mm	8 PCS
C	FLAT WASHER Ø8 x 22mm	8 PCS
D	WRENCH 12.8mm	1 PC

Step : 1

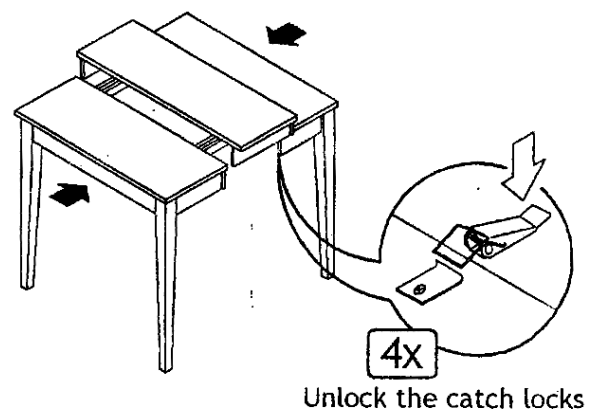


Step : 2 Place the table top to upright position

Step : 3



Step : 4



MADE IN MALAYSIA