

# ASSEMBLY INSTRUCTION

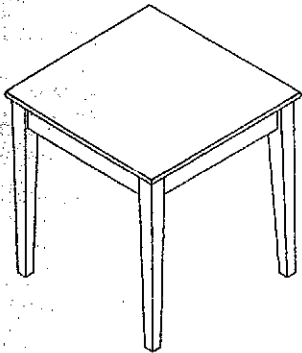
FOR MODEL : AR-TA-3636G-WHJ-C

AR-TA-3636G-BLJ-C

AR-TA-3636P-WHJ-TOP/ AR-TA-3642P-WHT-BSE

AR-TA-3636P-BLJ-TOP/ AR-TA-3642P-BLK-BSE

Description : Arlington 36" High & 42" High



## IMPORTANT NOTE :

- Place all wooden parts on a clean and smooth surface such as a rug or carpet to avoid the parts from being scratched.
- Check to be sure that you have all parts and hardware.
- Remove all wrapping materials, including staples & packing straps before you start to assemble.
- Do not tighten all screws / bolts until all completely assembled.
- Keep all hardware parts out of reach of children.

## COMPONENT LIST

NO	DESCRIPTION	QTY
1	Table Top	1 PC
2	Leg	4 PC

## HARDWARE LIST

NO	DESCRIPTION	QTY
A	HEXAGON NUT $\phi$ 8 X 12	8 PCS
B	SPRING WASHER $\phi$ 8 X 15	8 PCS
C	FLAT WASHER $\phi$ 8 X 22	8 PCS
D	WRENCH 12.8	1 PC

